



Turn to the experts



Turn to the experts



Your VRF System of Choice

Contact us today for more information
or to talk to a distributor

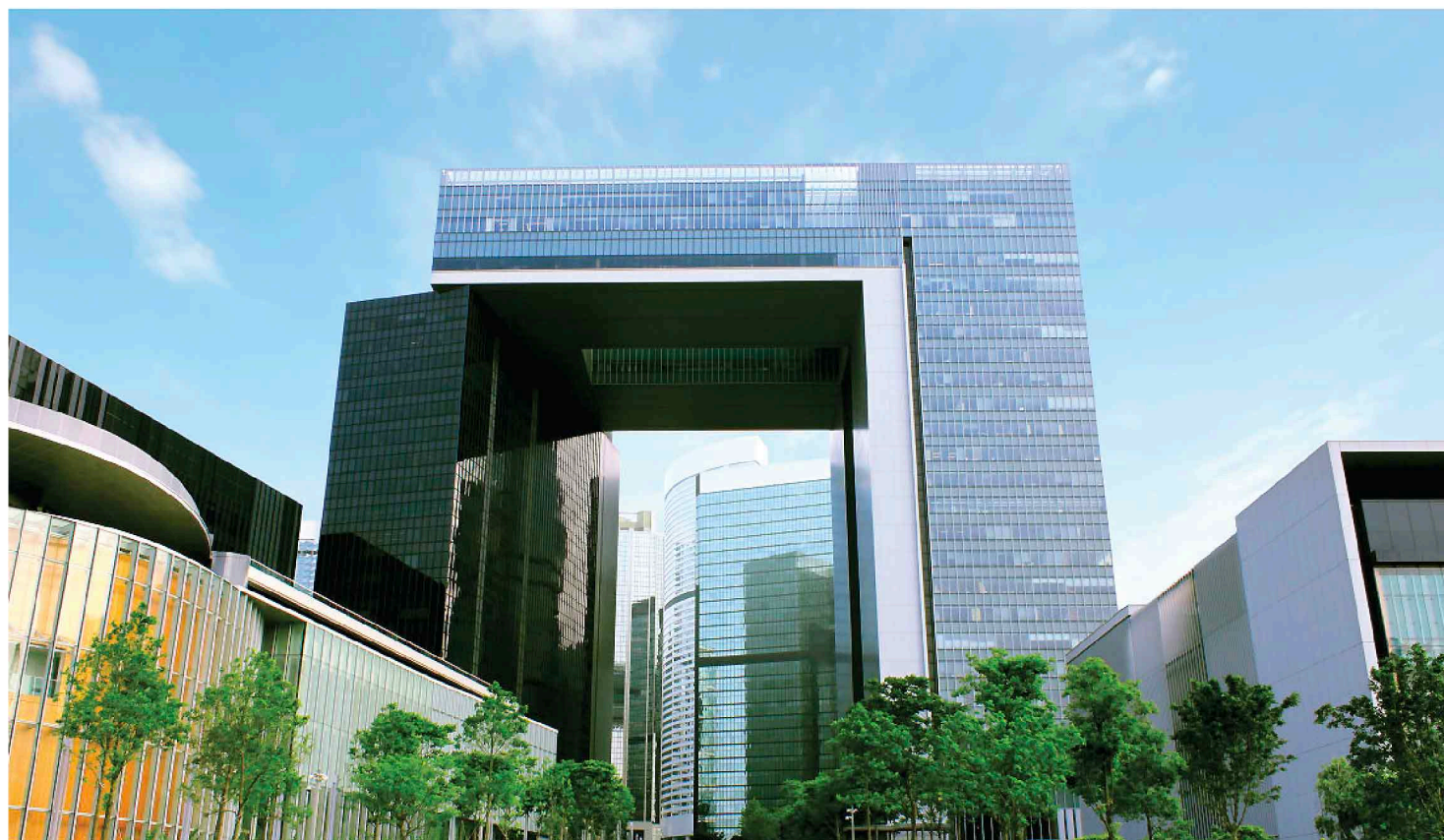
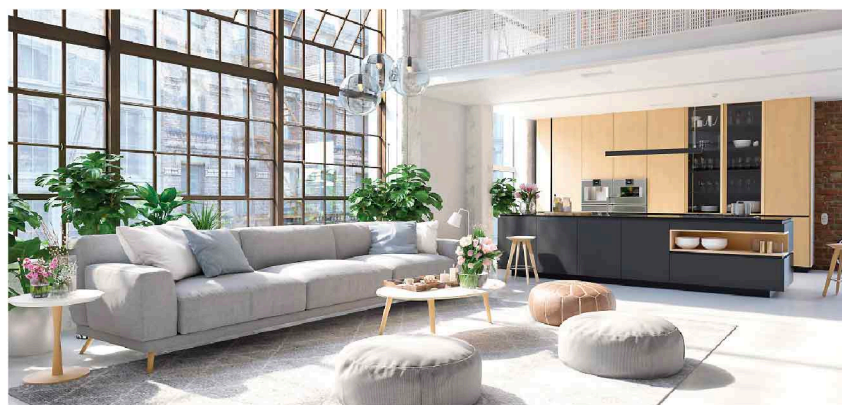
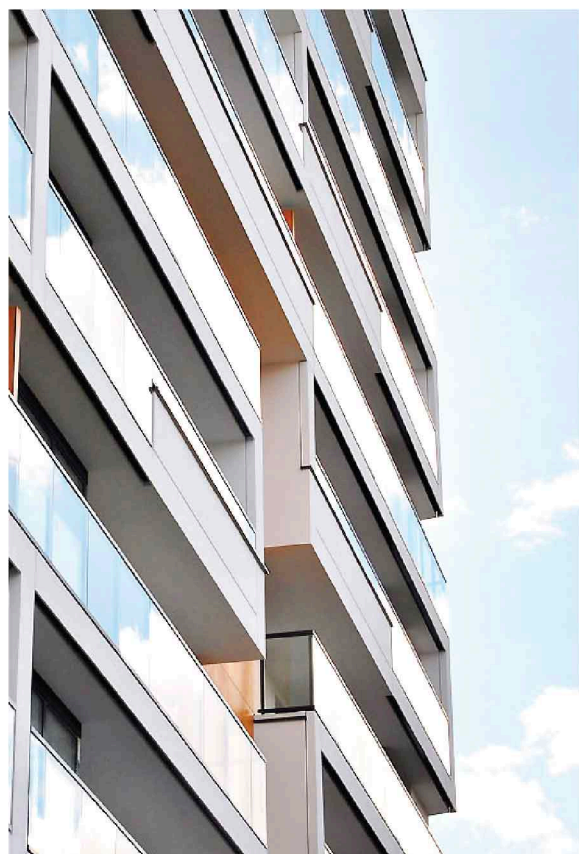
www.carrier.com

VRF System General Catalogue

Innovation
is **our expertise**

Carrier is committed to continuously improving its products to ensure the highest quality and reliability standards, and to meet local regulations and market requirements. All features and specifications are subject to change without prior notice.

06/2020
1-C-VRF-060120-EN-1



CONTENTS

003 OUR LEGACY

013 VRF SYSTEMS

019 PRODUCT LINEUP

025 OUTDOOR UNITS

071 INDOOR UNITS

147 CONTROLLERS

171 ACCESSORIES



The Invention that Changed the World

In 1902, The Father of Air Conditioning, Willis Carrier designed the first modern air-conditioning system. Willis Carrier's legacy lives on today as the company he founded continues to reinvent the industry and shape the world we live in.

We have forged an entire industry, built iconic brands and pioneered more than 100 years of firsts. And now, as a clearer description of the company, our best days are ahead of us.

Setting the Standard

Today, Carrier is a leading global provider of innovative HVAC systems, refrigeration, fire, security and building automation technologies.

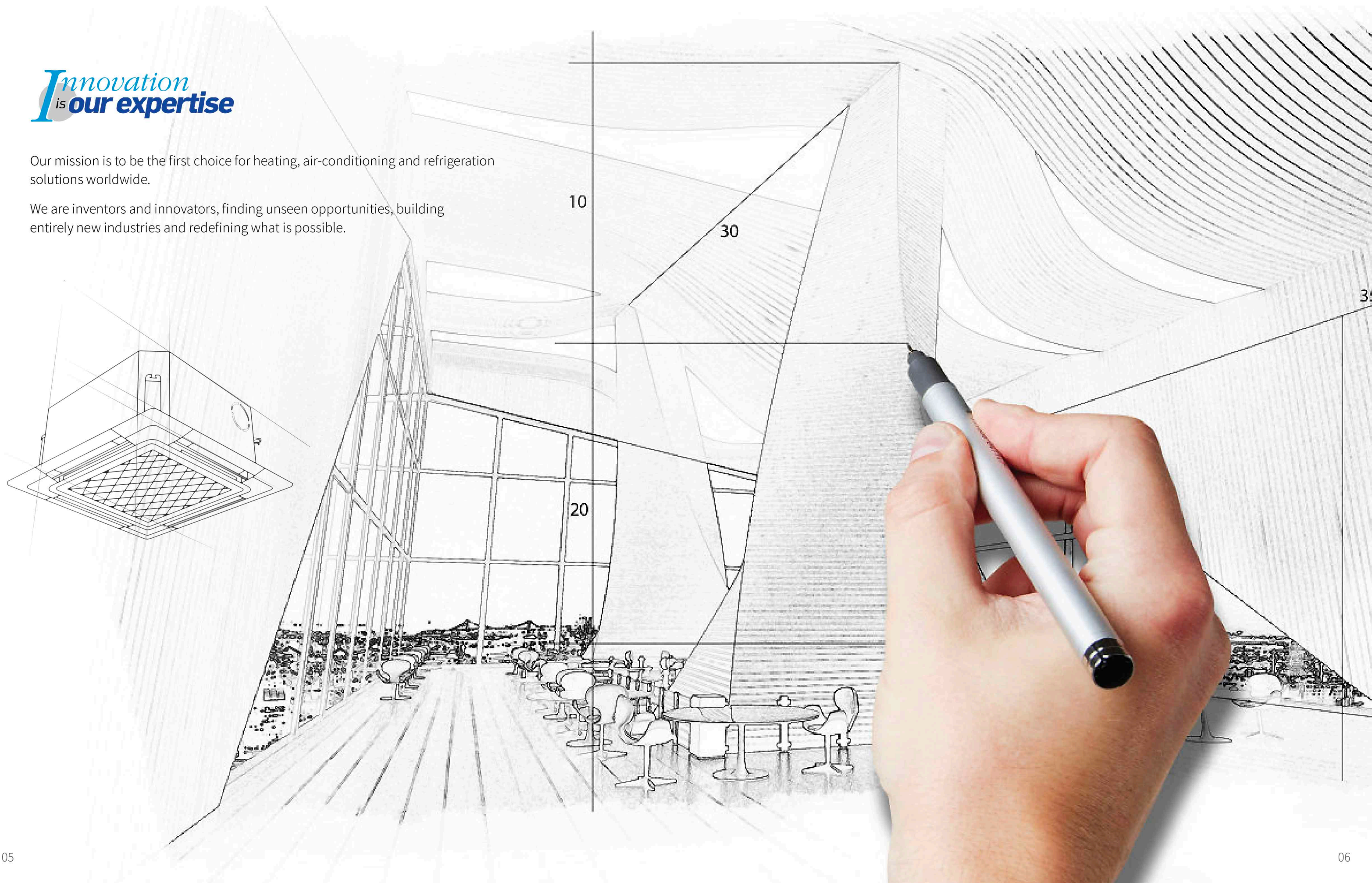
Our businesses and products set the standard for modern life, delivering efficiency, safety, security, comfort, productivity and sustainability across a wide range of residential, commercial and industrial applications.



Innovation is our expertise

Our mission is to be the first choice for heating, air-conditioning and refrigeration solutions worldwide.

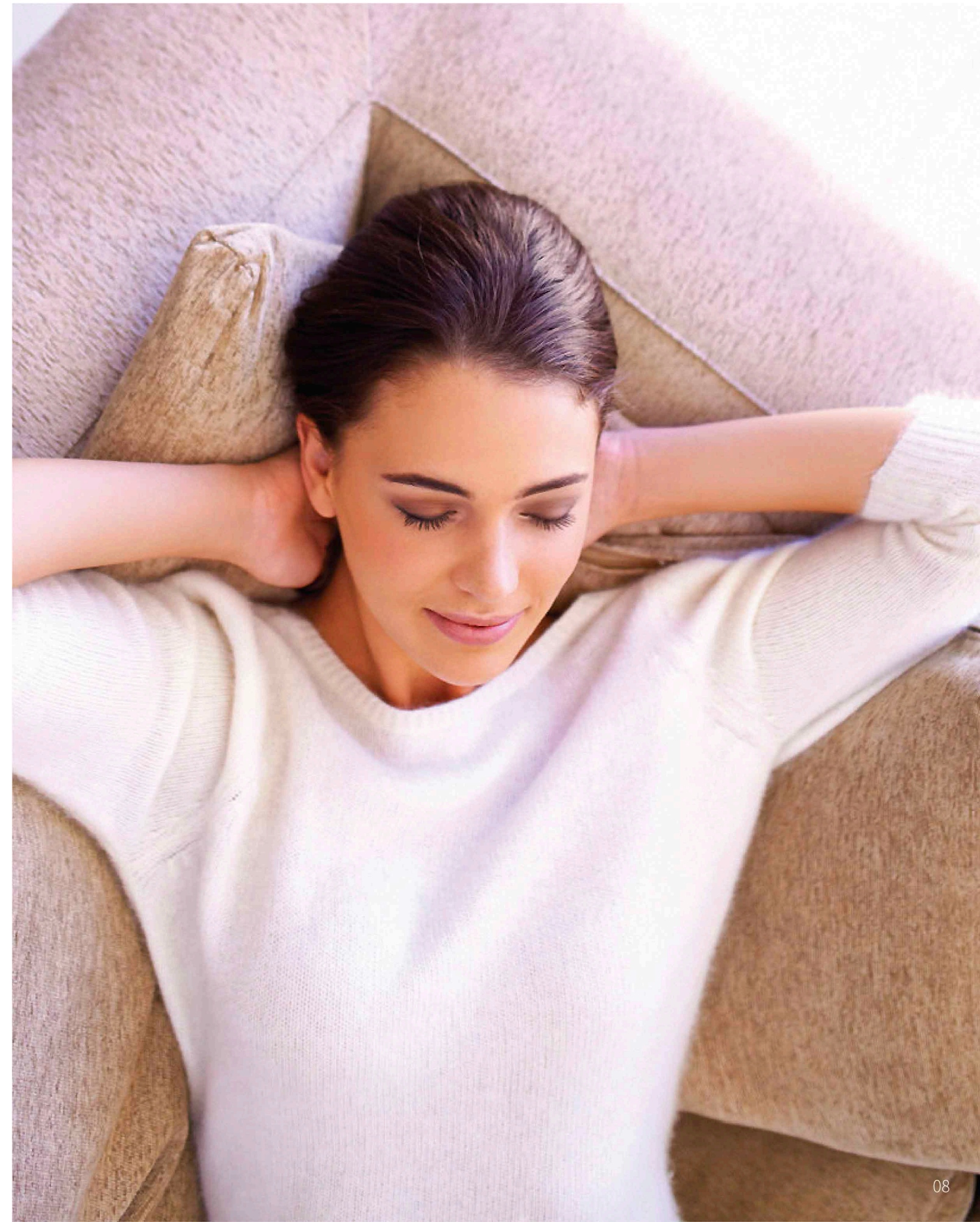
We are inventors and innovators, finding unseen opportunities, building entirely new industries and redefining what is possible.



Complete Climate Control

The new XCT7, Variable (X) Comfort Technology, is the 7th generation of our VRF system that proudly represents Carrier's world leading innovation, technology and unyielding commitment to energy saving.

Carrying forth the legacy that shaped the climate control industry. Carrier's VRF systems have always delivered optimal comfort and performance that can be scaled to meet climate control needs, all the way from a small single-family residence to a commercial high-rise building. We're determined to make global impacts again with the XCT7 – a VRF system that provides unmatched advantages of high reliability, peak performance, enhanced efficiency, longer lifespan, optimal user experience and easy operation.



Carrier Global Network

Carrier's presence is truly global with numerous factories, design centers and brands across the globe. Carrier systems can be found in homes and offices worldwide, and have become a standard of quality and reliability.

54 Factories

41 Design Centers

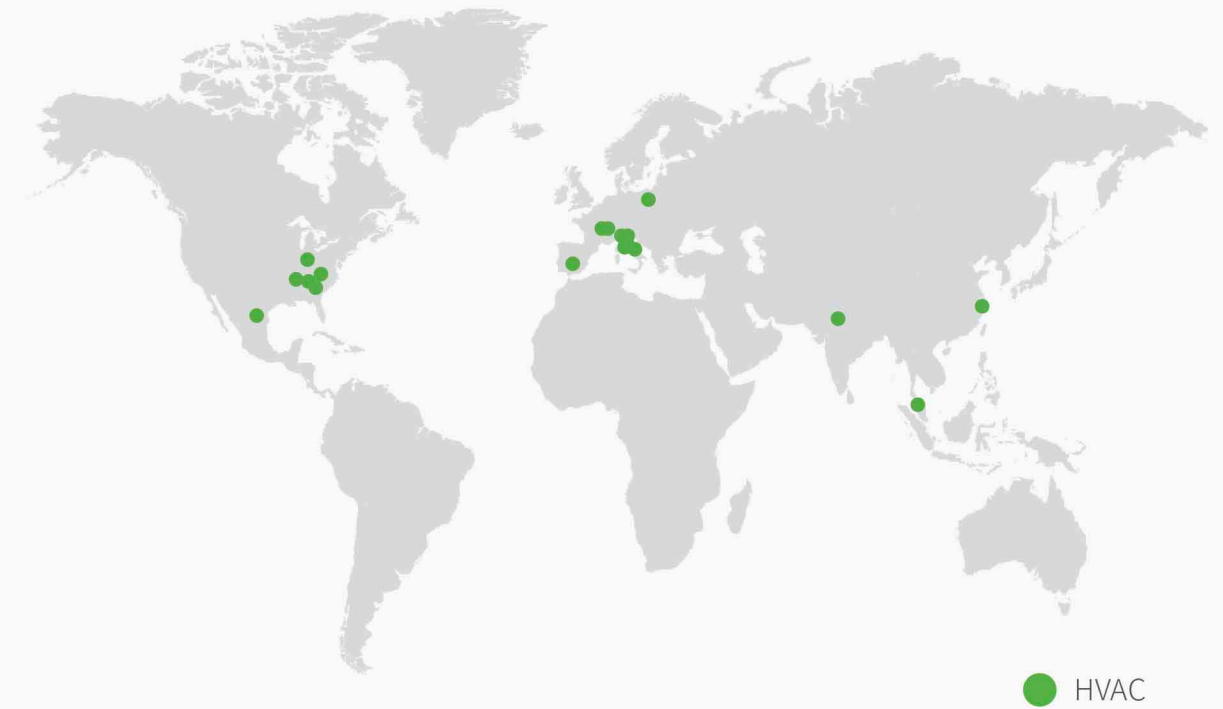
55,000 Employees

180 Countries

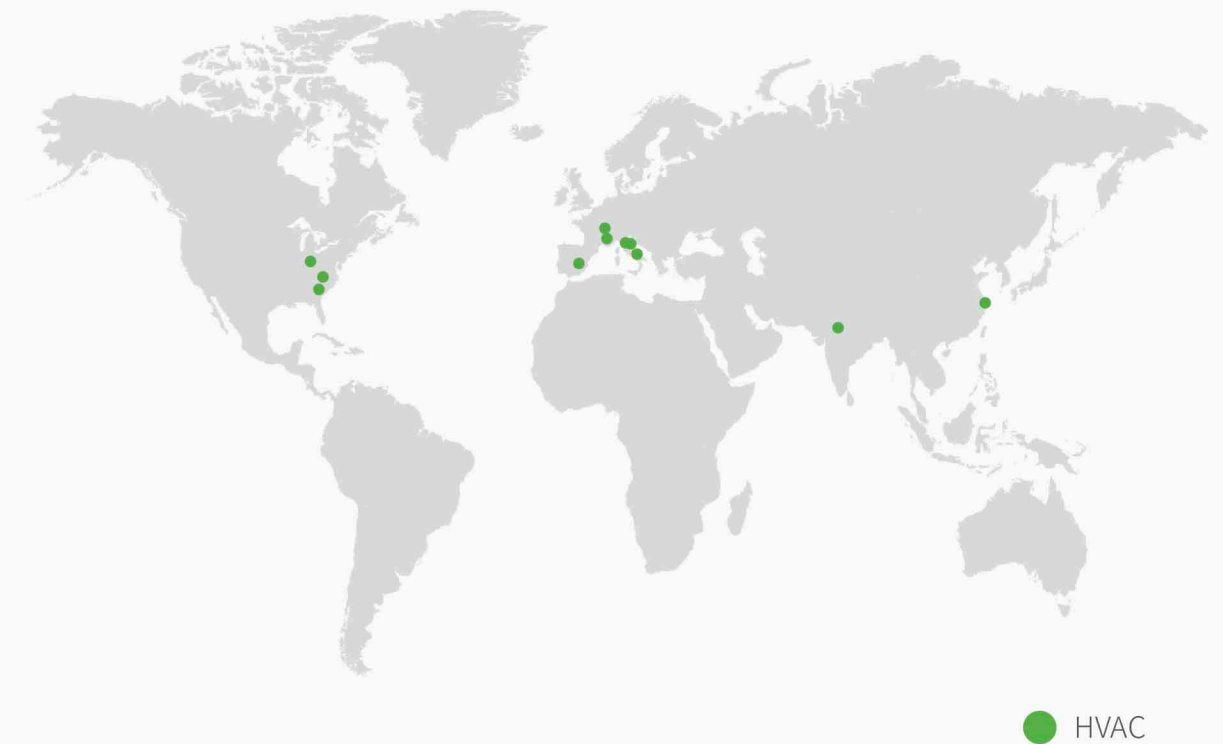
80 Brands



CARRIER MANUFACTURING LOCATIONS



CARRIER DESIGN CENTER LOCATIONS



Understanding VRF Systems

SETTING THE STANDARD FOR FLEXIBILITY, EFFICIENCY & PERFORMANCE

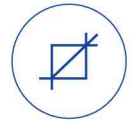
Variable Refrigerant Flow (VRF) systems are large-scale ductless HVAC systems performing at high capacity. VRF technology has the unmatched ability for multiple indoor units or zones to operate on the same outdoor system.

It is a multi-outdoor-units solution that carefully computes the precise amount of refrigerant required by each indoor unit to achieve individualized temperature control for each comfort zone.

Because of its flexibility, VRF systems can be customized to meet the specific demands of any project. It controls the refrigerant flow according to the heat load requirement to avoid over cooling or heating effectively.



Why Choose VRF Systems?



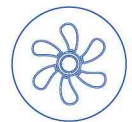
FLEXIBILITY

Whether you're looking to maximize comfort in a new building or retrofit an existing one, VRF systems join design flexibility with potential energy savings.



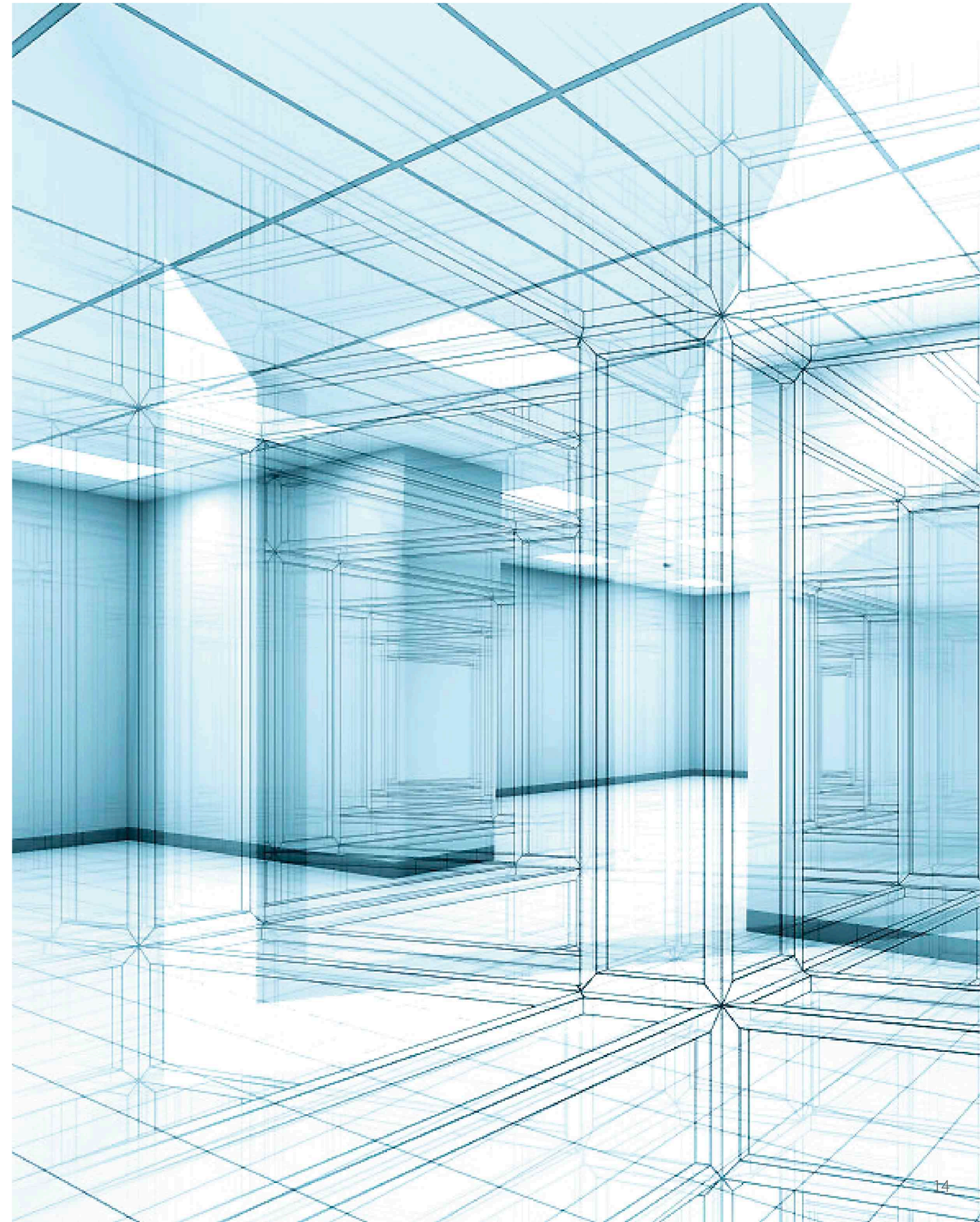
EFFICIENCY

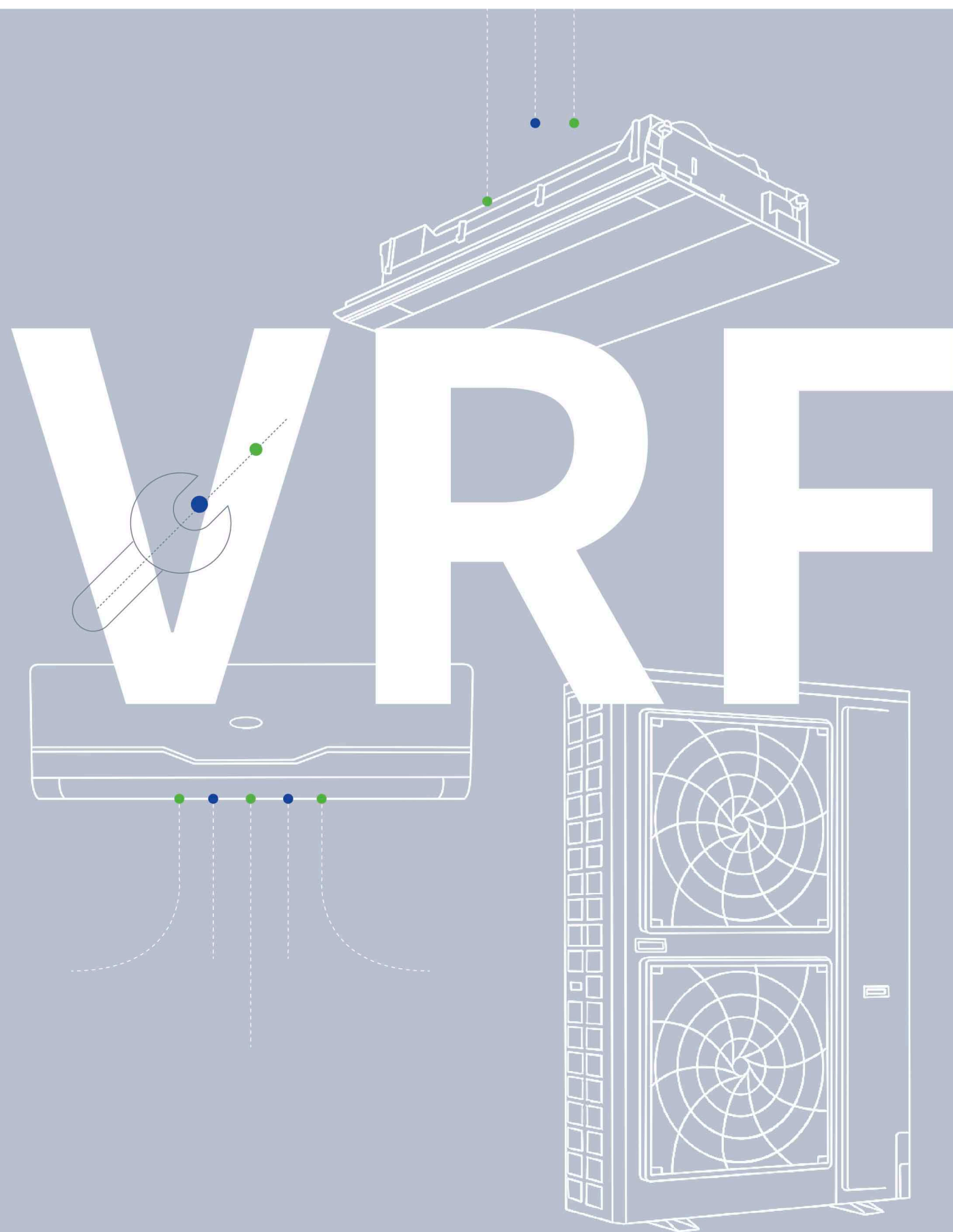
VRF systems use minimal ductwork, and sometimes none at all (depending on the application). This makes installation and maintenance easier, and also precisely matches power requirements to eliminate any energy waste associated with central duct systems.



PERFORMANCE

System performance is significantly enhanced because of the heat transfer properties of refrigerant over other mediums, while the zone temperature control brings ideal comfort.





Why Choose Carrier VRF?

Our Promise

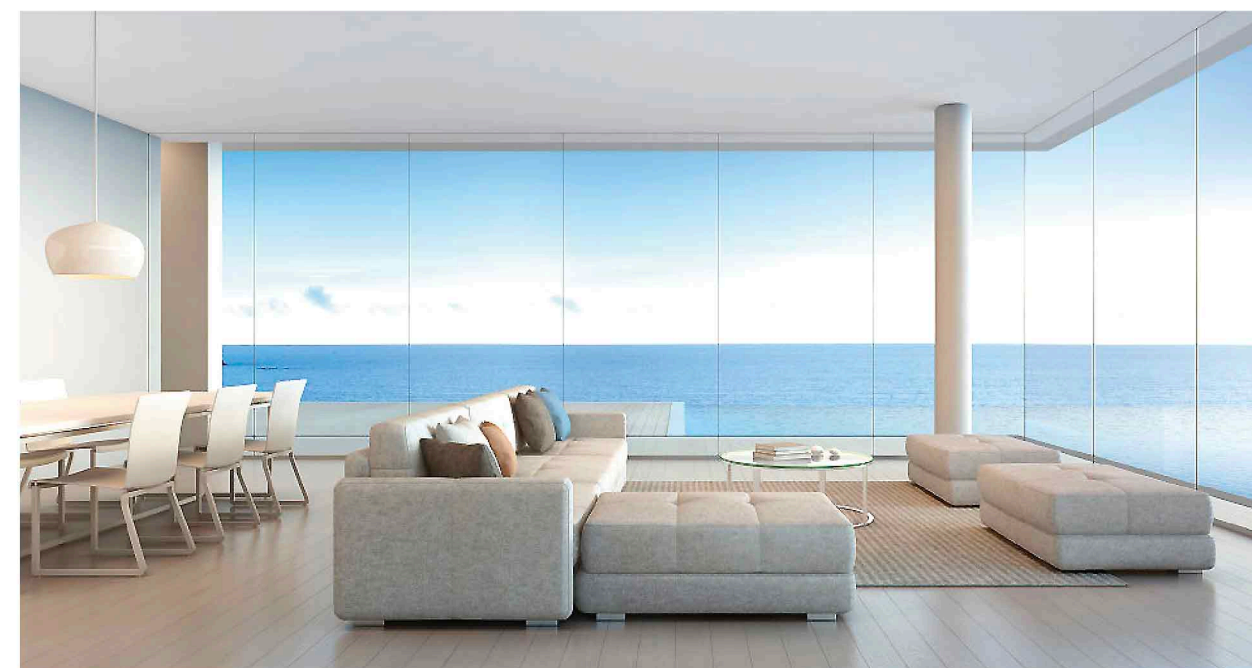
Your choice of VRF system makes a difference. When you invest in Carrier VRF, you create a system that delivers on the promise of comfort, performance and reliability — the backbone of Carrier confidence.

Incredible Flexibility

We offer the flexibility you need when you design. Our system provides perfect solutions for limited spaces. It can accommodate up to 1000 m of total piping length and 110 m of height difference, and handle 110 Pa of available static pressure, enabling more installation configurations than ever before. Furthermore, it can connect up to 64 indoor units to the outdoor system and has a wide range of outdoor unit choices for specific zoning needs.

Solutions Based Approach

We are the first in the industry to offer single-phase VRF heat recovery in NA and have playing the role of industry leader for over a century. We're invested in advancements that help your VRF system serve the design needs function of a space—not the other way around. We are here to offer you solutions, helping you solve the problems of complex installation, complicated controls and disjointed system views. These complex and frustrating experiences would be transformed to those of efficiency, simplicity and high value through Carrier VRF systems.



Why Choose Carrier VRF?

Ultimate Performance

Carrier XCT7 delivers heating down to -23°C and cooling up to 50°C, from 1.5 kW all the way to 28 kW in capacity.

There are no “hard shutoffs” when operating outside these temperatures or based on outdoor temperatures. We're able to achieve this by utilizing superior separator technology to improve the refrigerant distribution for the ultimate performance.

Intelligent and Even Refrigerant Flow

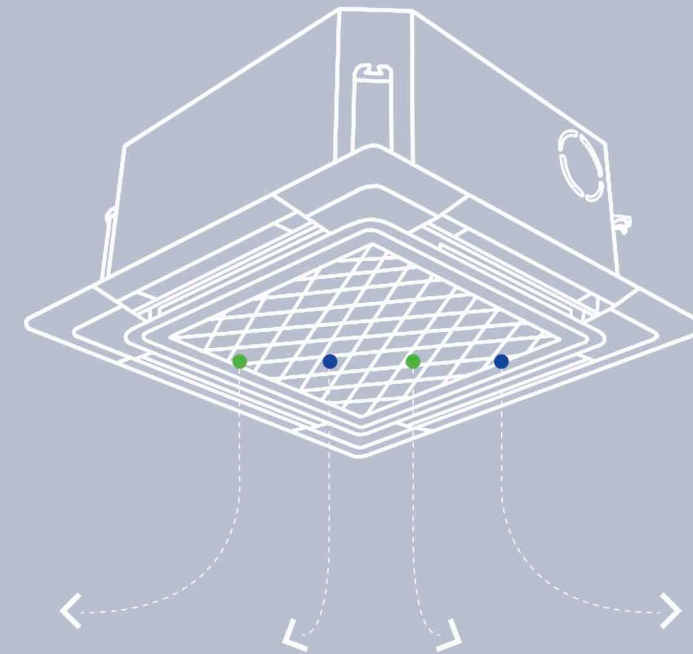
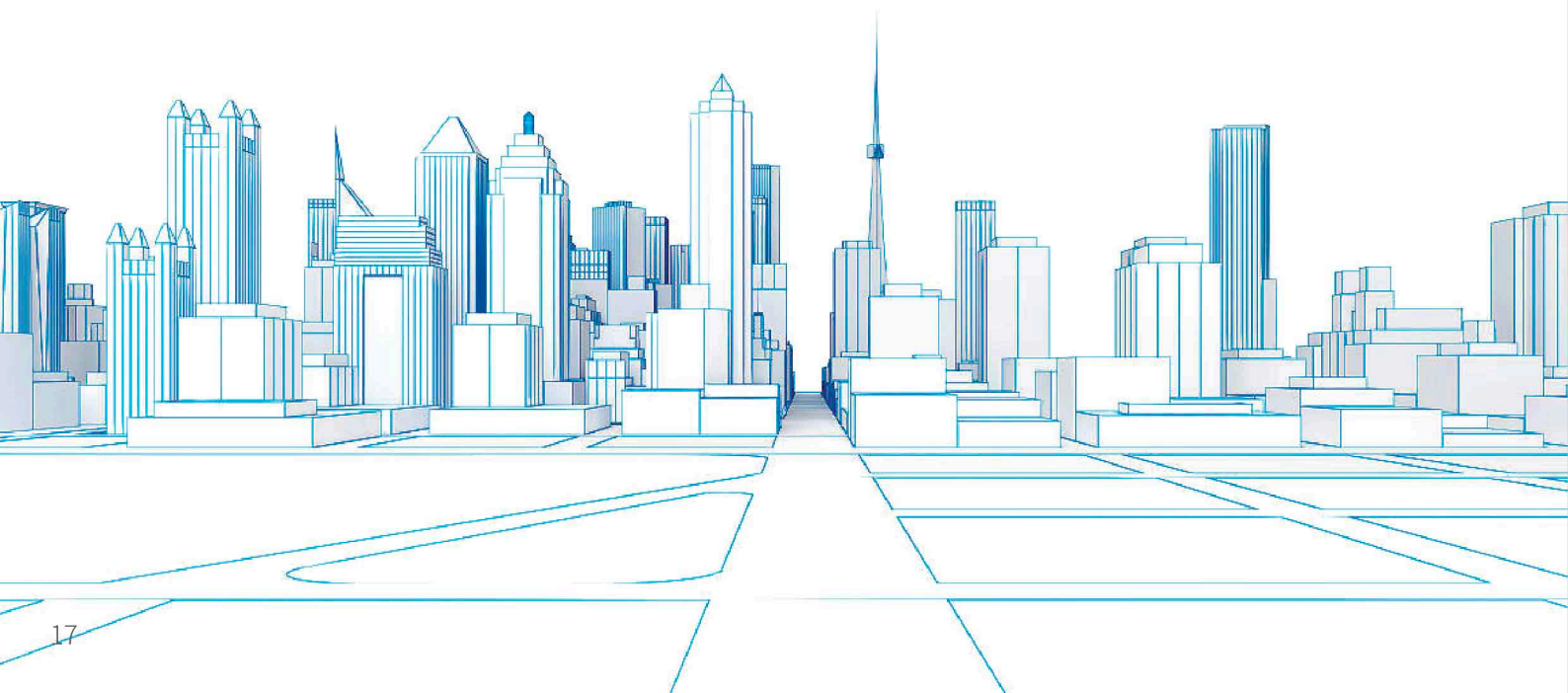
Carrier VRF uses over 300 sensors and multiple and multiple electronic expansion valves (EEV) to pinpoint the needed refrigerant flow for each indoor unit, increasing efficiency for partial building loads.

The operating sequence rotates between compressors in a single outdoor unit or modular system for an even spread of operating hours.

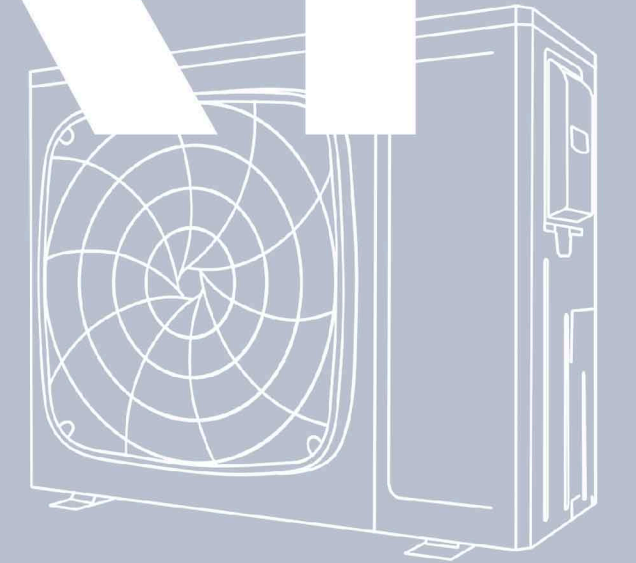
Reliability of Carrier Expertise

From the Black Fin anti-corrosion protection to the anti-liquid-shock technology, from the multiple inverter-driven compressors to the multi-layer 10-stage oil return technology, Carrier VRF systems flag and correct for potential disruptions long before they delay anyone's comfort.

The system offers tried-and-tested reliability and a balance of compatibility and performance to help you anticipate structural limitations, confined spacing and industry regulations with sustainable and efficient solutions for heating and cooling.



VRF



Outdoor Units Lineup

Lineup	3 HP	4 HP	5 HP	6 HP	7 HP	8 HP	10 HP	12 HP	14 HP	16 HP	18 HP	20 HP	22 HP	24 HP	26 HP																																		
Compact Side-discharge	1 Ph 		1&3 Ph 		1&3 Ph 																																												
Lineup	3 HP	4 HP	5 HP	6 HP	7 HP	8 HP	10 HP	12 HP	14 HP	16 HP	18 HP	20 HP	22 HP	24 HP	26 HP																																		
Side-discharge		1 Ph 1&3 Ph 	1 Ph 1&3 Ph 	1&3 Ph 		3 Ph 	3 Ph 	3 Ph 																																									
Lineup	8 HP	10 HP	12 HP	14 HP	16 HP	18 HP	20 HP	22 HP	24 HP	26 HP	28 HP	30 HP	32 HP	34 HP	36 HP	38 HP	40 HP	42 HP	44 HP	46 HP	48 HP	50 HP	52 HP	54 HP	56 HP	58 HP	60 HP	62 HP	64 HP	66 HP	68 HP	70 HP	72 HP	74 HP	76 HP	78 HP	80 HP	82 HP	84 HP	86 HP	88 HP	90 HP	92 HP	94 HP	96 HP	98 HP	100 HP	102 HP	104 HP
HP Top-discharge Up to 104HP																																																	

Indoor Units Lineup

Capacity kW/kBTu/h	COMPACT FOUR-WAY CASSETTE	FOUR-WAY CASSETTE	ROUND-WAY CASSETTE	TWO-WAY CASSETTE	ONE-WAY CASSETTE	SLIM DUCT	MEDIUM STATIC DUCT 80/120 Pa	STANDARD STATIC DUCT 50/100 Pa	STANDARD STATIC DUCT 50/100 Pa	HIGH STATIC DUCT 100/196 Pa	HIGH STATIC DUCT 0/200 Pa	OUTSIDE AIR UNIT	HIGH WALL	FLEX CEILING FLOOR	FLEX CEILING FLOOR	TWO-WAY CONSOLE	CONSOLE -RECESSED
Fan Motor Type	DC	AC	DC	AC	DC	DC	AC	AC	DC	AC	DC	DC	DC	AC	DC	DC	AC
1.5/5	●	●			●	●		●	●				●			●	
2.2/7	●	●	●	●	●	●		●	●		●		●			●	●
2.8/9	●	●	●	●	●	●		●	●		●		●	●	●	●	●
2.6/12	●	●	●	●	●	●		●	●		●		●	●	●	●	●
4.5/16	●	●	●	●		●		●	●		●		●	●	●		●
5.6/18	●	●	●	●		●		●	●	●	●		●	●	●	●	●
7.1/24		●	●			●		●	●	●	●		●	●	●		●
8.0/28		●	●					●	●	●	●		●	●	●		
9.0/30		●	●				●	●	●	●	●		●	●	●		
11.2/38		●	●				●	●	●	●	●			●	●		
14.0/48		●	●				●	●	●	●	●	●		●	●		
16.0/54			●					●	●		●				●		
22.6/72										●		●					
28.0/96										●		●					

● coming soon

Controller Units Lineup

Individual Controller	Remote Controller	IR RC (all FCU) Receiver (duct)	Receiver (Duct unit)		
	Wired Controller	Simple RC	Wired RC 86x86	Wired Weekly Timer	
Centralized Controller		Group Controller up to 32 IDU	Touchscreen up to 256 IDU	Touchscreen up to 512 IDU (coming soon)	
Adaptor		Protocol Adaptor Modbus to RS485	Protocol Adaptor Modbus to Modbus	Modbus Interface for Touchscreen (512 IDU)	
BMS		Remote Monitoring	Local Control RS485 to USB	Lonworks	KNX-8,16,64 IDU
				Bacnet Gateway	





OFFICE



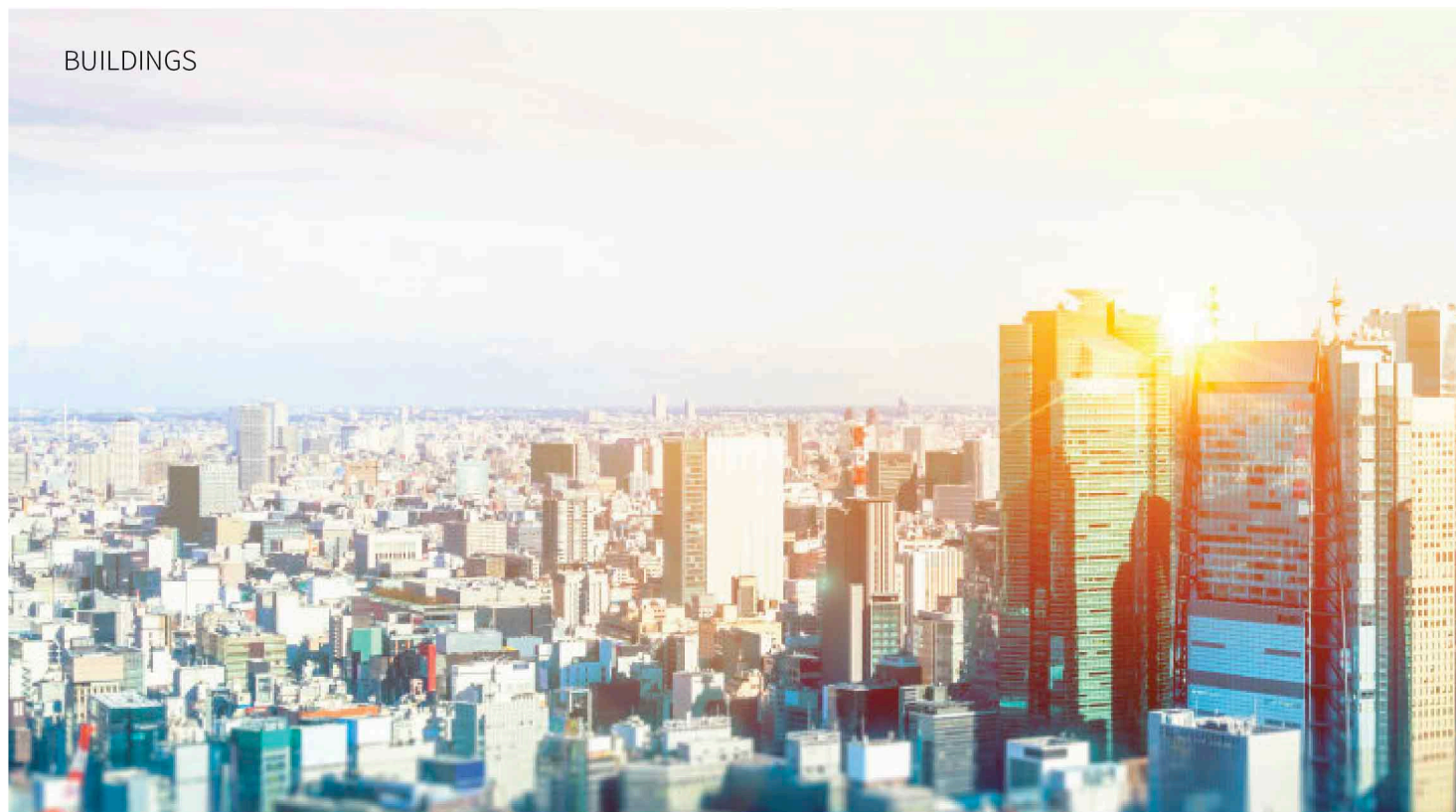
OFFICE



PUBLIC SPACE



OFFICE



BUILDINGS

OUTDOOR UNITS

027 TOP DISCHARGE

045 SIDE DISCHARGE

OUTDOOR
UNITS



OFFICES



BUILDINGS



PUBLIC SPACES

outdoor



TOP DISCHARGE

Handles simultaneous heating and cooling with incredible efficiency, and ensures continuous comfort indoors



XCT7 Special Features

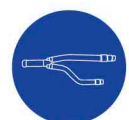


One Button Trial Operation

You only need to press the outdoor PCB button once to initiate the trial operation mode instead of starting indoor units one by one. Save up to 10% of trial operation time with this unique function for both cooling/heating modes.

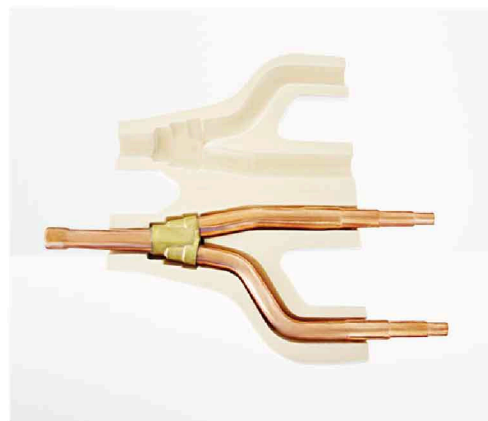


outdoor



Less Brazing Refrigerant Accessories

The refrigerant piping accessories are pre-fitted with multiple diameters for you to simply cut depending on your needs.



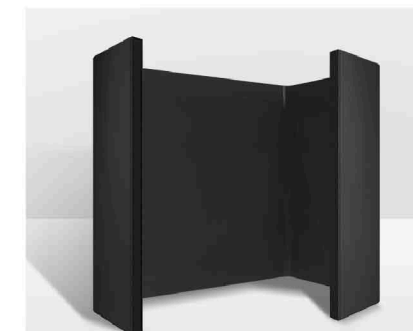
High Efficiency Outdoor Fan & Dc Inverter Steppless Fan Motor

The fan adopts an aerodynamic design for low noise and high efficiency. The outdoor fan motor adopts unique steppless inverter regulation technology, which coordinates with the steppless inverter compressor.



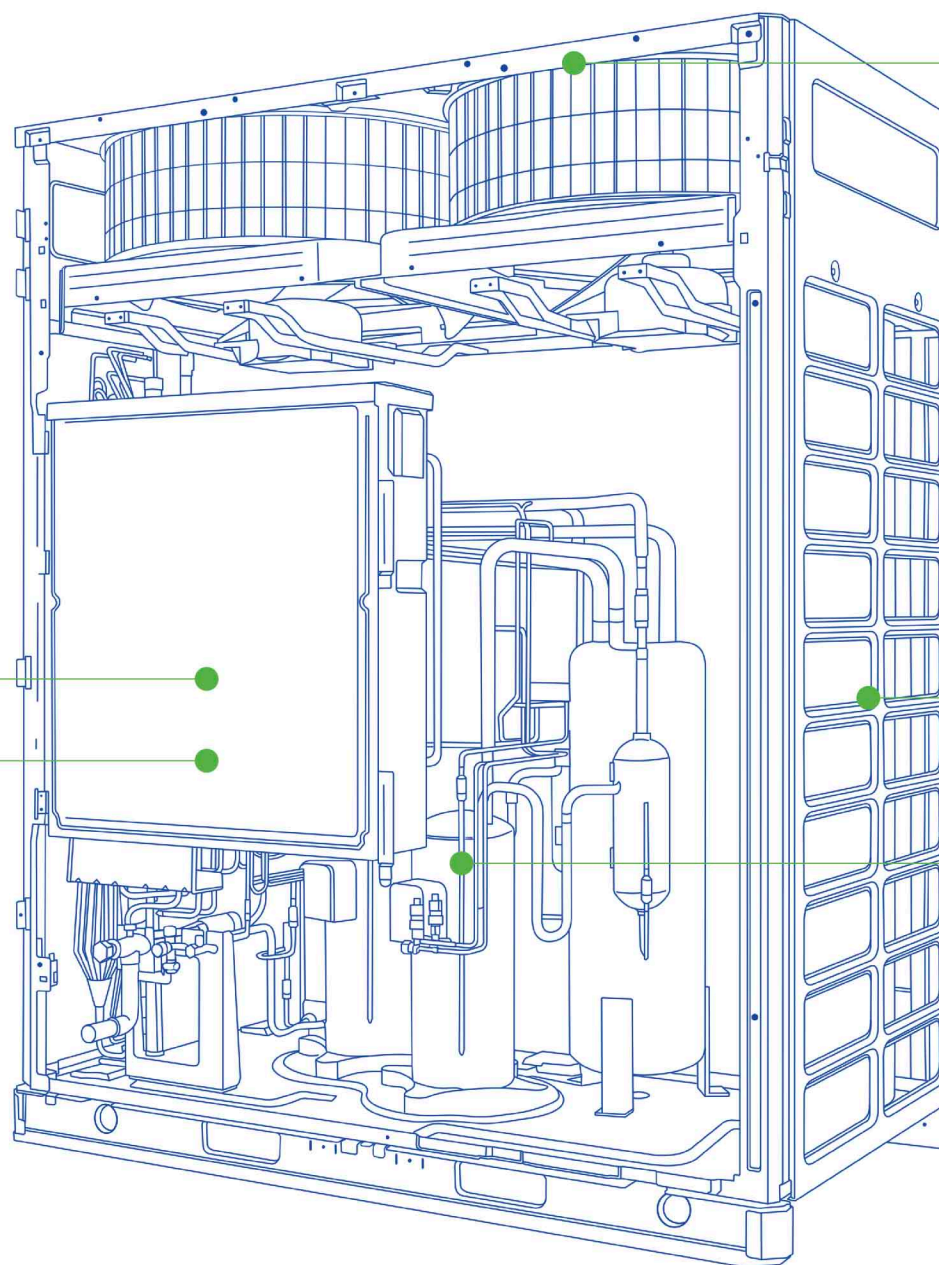
Advanced Black Fin Technology

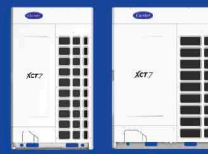
The unique, advanced Black Fin technology on the outdoor condenser enhances corrosion resistance and provides stronger protection from air pollution and salt contamination to achieve maximum system reliability.



Advanced Separator

Our advanced separator enhances heat exchanger performance, improves refrigerant distribution balance, and increases overall system efficiency.



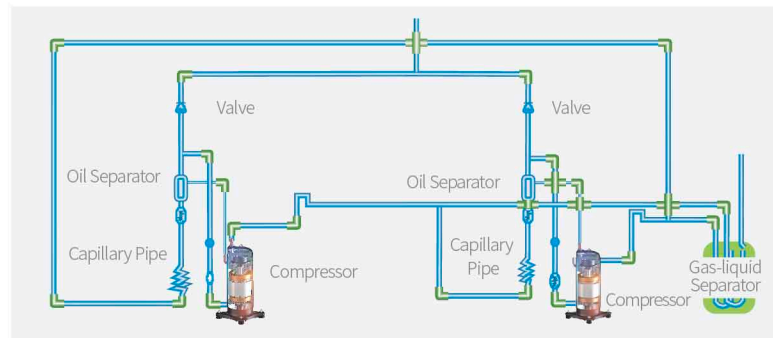


XCT7 Special Features



Reliable Multi-layer Oil Return Technology

Our 10-stage oil return technology, as compared to the industry average of 5, ensures smooth lubricant oil supply to protect the compressor and system.



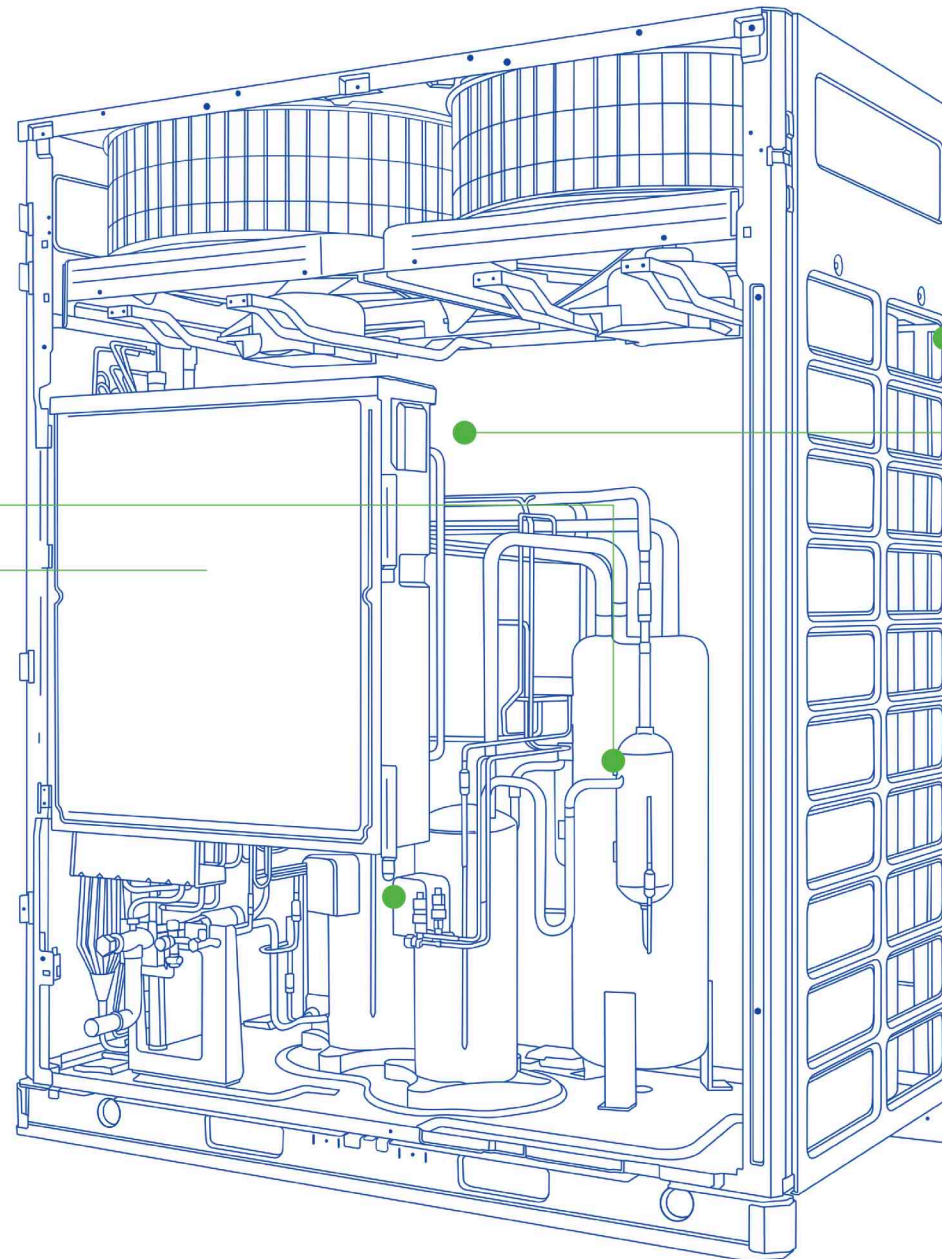
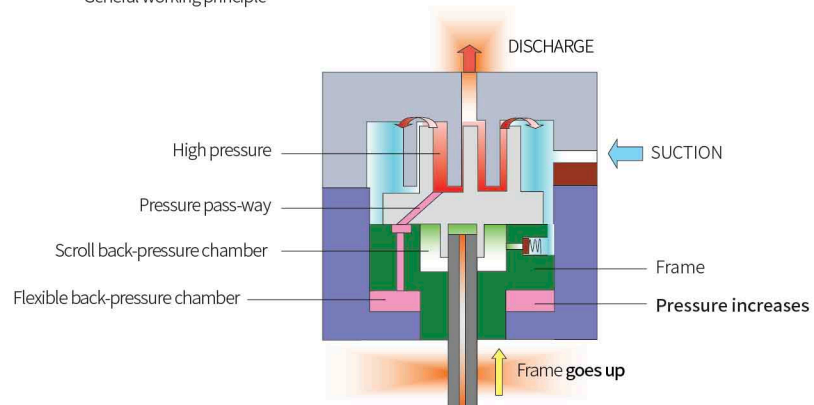
outdoor



Advanced Compressor Anti-liquid-shock Technology

With a soft scroll design, the anti-liquid shock technology ensures an effective unloading when the compressor's internal pressure is too large. It also assures reliable and efficient operation of the compressor by reducing friction and leakage loss and halving the liquid shock failure rate.

General working principle



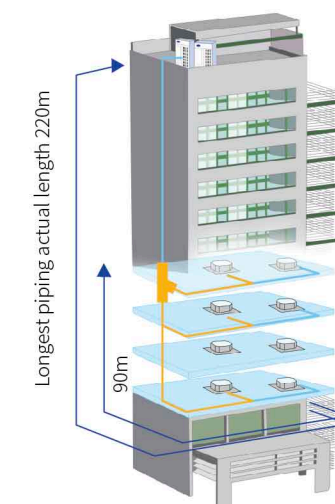
Easy Access

The design of the ODU is optimized to open to 120°, allowing complete access to internal system components.

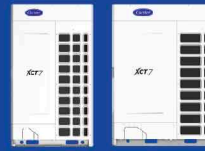


Flexible Long Piping Length

The Piping can go up to 1000 m in length and offers a maximum of 110 m height difference, allowing you to easily serve high rise buildings.

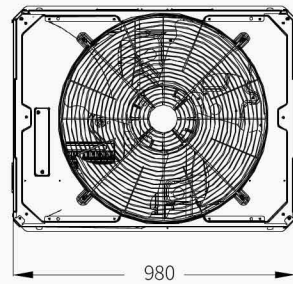
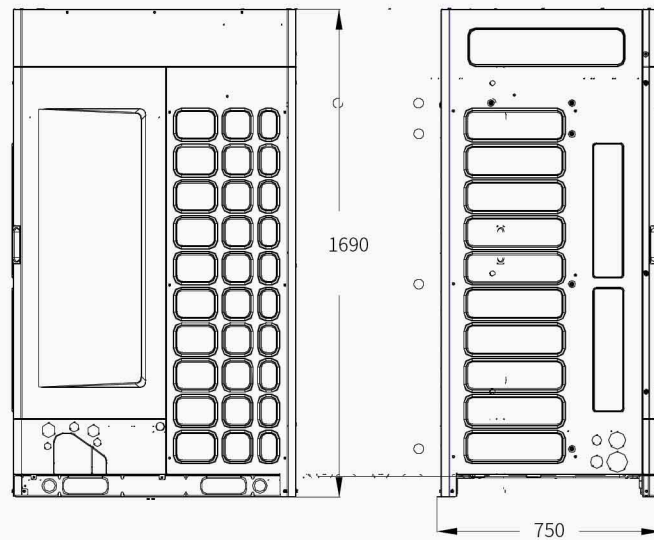


		permitted value	
Piping Length	Total piping length (Actual)	1000 m	
	Longest piping(L)	Actual length	260 m
		Equivalent length	220 m
	Piping(The farthest IDU from first indoor unit branch) equivalent length	90 m	
Level Difference	Level difference between IDU-ODU (max)	Outdoor unit down	110 m
		Outdoor unit up	90 m
	Level difference between IDU-IDU		30 m

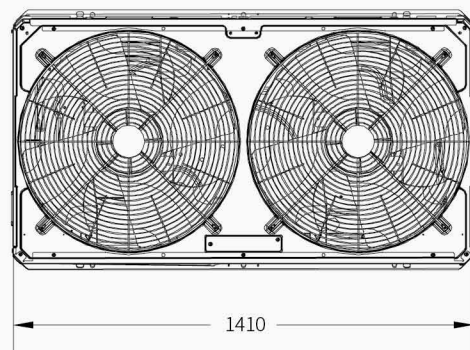
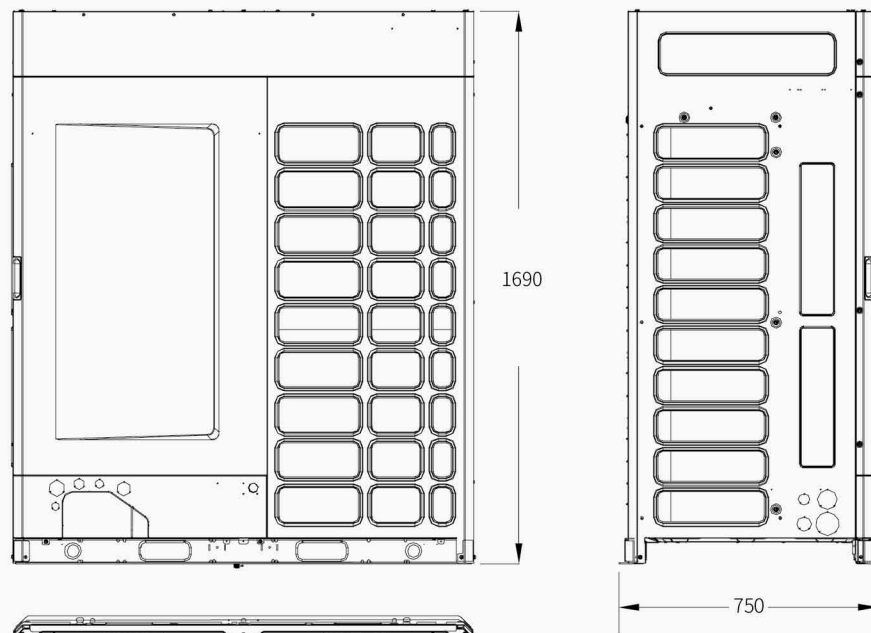


Dimensions

Single Fan (8-16HP)



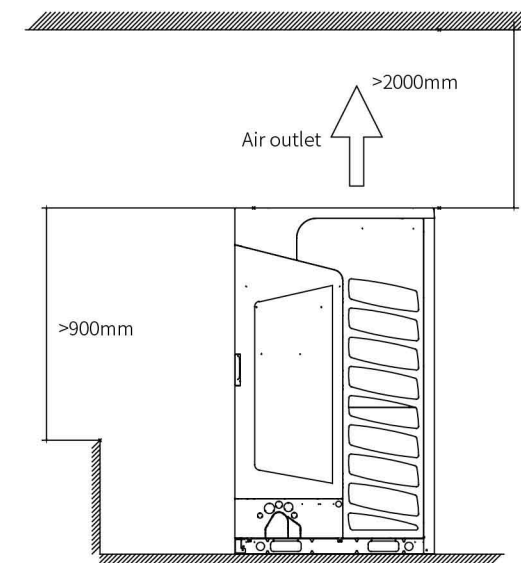
Dual Fan (8-26HP)



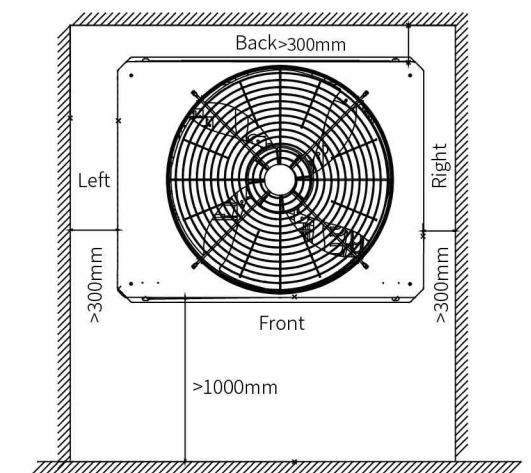
Combination Installation Dimensions

- There should be no obstacles within 2000 mm above the outdoor unit
- Obstacles around the outdoor unit should be less than 900 mm to the bottom of unit.
- When multiple modules are installed, the outdoor unit should be ranked according to capacity, with the larger capacity closer to the main pipe .

Single Installation

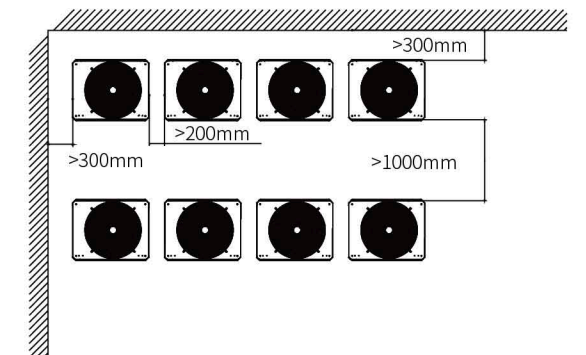
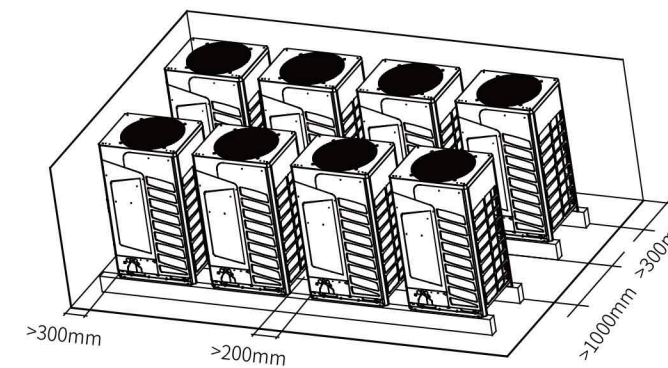


Single Fan Top Discharge



Combination Installation

Unit can be installed facing the same or opposite direction

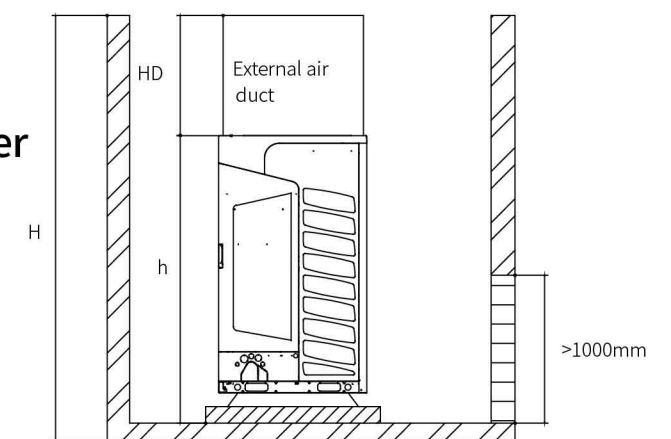


Wall Higher Than The Outdoor Condenser

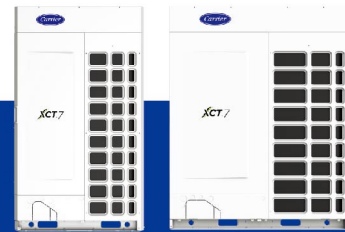
Place with air inlet hole

Notes:

- Fan speed V_s at air inlet is 1.5 m/s or below.
- Air outlet height $HD = H - h$ and below 1 m.



outdoor



Specification

TD HP 8-26HP

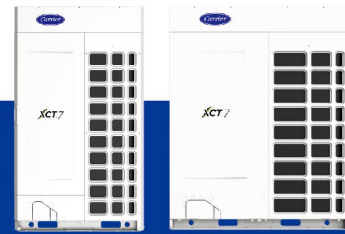


Model Code			38VT008173HQSS	38VT010173HQSS	38VT012173HQSS	38VT014173HQSS	38VT016173HQSS	
Anti-corrosion Model Code			38VT008173HQSSZ	38VT010173HQSSZ	38VT012173HQSSZ	38VT014173HQSSZ	38VT016173HQSSZ	
Capacity	Capacity Range	HP	8.0	10	12	14	16	
	Cooling	kW	25.2	28.0	33.5	40.0	45.0	
	Heating	kW	27.0	31.5	37.5	45.0	50.0	
Electrical Parameters	Power Supply	PH/V/Hz	3/380~415/50/60	3/380~415/50/60	3/380~415/50/60	3/380~415/50/60	3/380~415/50/60	
	Cooling	Rated Power Input	kW	5.60	6.80	8.40	10.90	11.80
		Max Power Input	kW	12.0	12.9	13.8	16.4	19.2
		Rated Current	A	9.45	11.48	14.18	18.40	19.92
		Max Current	A	20.26	21.78	23.30	27.69	32.41
	Heating	Rated Power Input	kW	5.20	6.30	8.00	10.30	11.20
		Max Power Input	kW	10.90	12.20	12.50	15.10	18.40
		Rated Current	A	8.78	10.64	13.51	17.39	18.91
		Max Current	A	18.40	20.60	21.10	25.49	31.06
	EER		4.50	4.12	3.99	3.67	3.81	
COP		5.19	5.00	4.69	4.37	4.46		
Performance	Air Flow (H)	m³/h	11000	11000	12000	13500	13500	
	Sound Pressure Level (H)	dB(A)	56	56	59	59	60	
	Sound Power Level (H)	dB(A)	67	67	70	70	71	
Installation	External Dimensions (W x D x H)	mm	980 x 750 x 1690					
	Shipping Dimensions (W x D x H)	mm	1070 x 850 x 1838					
	Net/Shipping Weight	kg	224/250			244/270		
	Compressor Type		DC INV. SCROLL	DC INV. SCROLL	DC INV. SCROLL	DC INV. SCROLL	DC INV. SCROLL	
	Compressor Brand		MITSUBISHI ELECTRIC	MITSUBISHI ELECTRIC	MITSUBISHI ELECTRIC	MITSUBISHI ELECTRIC	MITSUBISHI ELECTRIC	
	Compressor Quantity		1 INV	1 INV	1 INV	1 INV	1 INV	
	Refrigerant Type		R410A	R410A	R410A	R410A	R410A	
	Refrigerant Charge	kg	8.5	8.5	8.5	10	10	
	Refrigerant Liquid Pipe	mm	9.52	9.52	12.7	12.7	12.7	
	Refrigerant Gas Pipe	mm	19.05	22.22	25.4	25.4	28.58	
	Max. Total Pipe Length	m	1000	1000	1000	1000	1000	
	Max. Pipe Length (Equivalent/Actual)	m	260/220	260/220	260/220	260/220	260/220	
	Max Height Difference Between I.U. & O.U. (O.U. down/up) *1	m	110/90	110/90	110/90	110/90	110/90	
	Max Height Difference Between I.U. *1	m	30	30	30	30	30	
	External Static Pressure	Pa	110	110	110	110	110	
Connection Ratio	Connectable Indoor Unit Ratio	%	50~130	50~130	50~130	50~130	50~130	
	Maximum Number Of Indoor Units		13	16	20	24	27	
Working Temp.	Cooling	°C	-5~50					
	Heating	°C	-23~21					

Model Code			38VT018173HQSS	38VT020173HQSS	38VT022173HQSS	38VT024173HQSS	38VT026173HQSS	
Anti-corrosion Model Code			38VT018173HQSSZ	38VT020173HQSSZ	38VT022173HQSSZ	38VT024173HQSSZ	38VT026173HQSSZ	
Capacity	Capacity Range	HP	18	20	22	24	26	
	Cooling	kW	50.4	56.0	61.5	68.0	73.5	
	Heating	kW	56.5	61.5	69.0	73.0	82.5	
Electrical Parameters	Power Supply	PH/V/Hz	3/380~415/50/60	3/380~415/50/60	3/380~415/50/60	3/380~415/50/60	3/380~415/50/60	
	Cooling	Rated Power Input	kW	14.30	15.10	16.50	17.60	18.80
		Max Power Input	kW	21.4	25.1	28.5	29.1	33.0
		Rated Current	A	24.14	25.49	27.86	29.71	31.74
		Max Current	A	36.13	42.37	48.11	49.13	55.80
	Heating	Rated Power Input	kW	13.40	14.60	15.40	16.80	17.70
		Max Power Input	kW	17.70	22.70	25.50	26.50	30.40
		Rated Current	A	22.62	24.65	26.00	28.36	29.88
		Max Current	A	29.88	38.32	43.05	44.74	51.32
	EER		3.52	3.71	3.73	3.86	3.91	
COP		4.22	4.21	4.48	4.35	4.66		
Performance	Air Flow (H)	m³/h	17000	17000	18000	18000	19000	
	Sound Pressure Level (H)	dB(A)	61	61	61	62	62	
	Sound Power Level (H)	dB(A)	72	72	72	73	73	
Installation	External Dimensions (W x D x H)	mm	1410 x 750 x 1690					
	Shipping Dimensions (W x D x H)	mm	1515 x 850 x 1838					
	Net/Shipping Weight	kg	287/317	370/400				
	Compressor Type		DC INV. SCROLL	DC INV. SCROLL	DC INV. SCROLL	DC INV. SCROLL	DC INV. SCROLL	
	Compressor Brand		MITSUBISHI ELECTRIC	MITSUBISHI ELECTRIC	MITSUBISHI ELECTRIC	MITSUBISHI ELECTRIC	MITSUBISHI ELECTRIC	
	Compressor Quantity		1INV	2INV	2INV	2INV	2INV	
	Refrigerant Type		R410A	R410A	R410A	R410A	R410A	
	Refrigerant Charge	kg	10	10	10	10	10	
	Refrigerant Liquid Pipe	mm	15.88	15.88	15.88	15.88	15.88	
	Refrigerant Gas Pipe	mm	28.58	28.58	28.58	28.58	28.58	
	Max. Total Pipe Length	m	1000	1000	1000	1000	1000	
	Max. Pipe Length (Equivalent/Actual)	m	260/220	260/220	260/220	260/220	260/220	
	Max Height Difference Between I.U. & O.U. (O.U. down/up) *1	m	110/90	110/90	110/90	110/90	110/90	
	Max Height Difference Between I.U. *1	m	30	30	30	30	30	
	External Static Pressure	Pa	110	110	110	110	110	
Connection Ratio	Connectable Indoor Unit Ratio	%	50~130	50~130	50~130	50~130	50~130	
	Maximum Number Of Indoor Units		30	33	36	40	43	
Working Temp.	Cooling	°C	-5~50					
	Heating	°C	-23~21					

Max drop between I.U.&O.U. *1
 • When max Height difference between outdoor and indoor units is greater than 50m (ODU below) /40m (ODU above), the main liquid size pipe must be enlarged by one size & setting made to longpiping installation.
 • Review with a Carrier representative if height difference ODU to IDU is greater than 70m and/or total piping length is greater than 500m AND height difference between highest & lowest IDU greater than 18m AND IDU combination ratio over 100%.

* All the specifications are tested under nominal condition (in cooling, indoor temp. is 27°C DB/19°C WB; Outdoor temp 35°C DB/24WB; in heating, indoor temp. is 20°C DB, in heating, outdoor temp. is 7°C DB/6°CWB)



Specification

TD HP 8-26HP

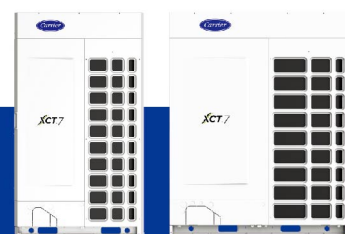


Model Code		38VT028S73HQSS	38VT030S73HQSS	38VT032S73HQSS	38VT034S73HQSS	38VT036S73HQSS		
Combination Model Code		38VT014173HQSS	38VT014173HQSS	38VT016173HQSS	38VT016173HQSS	38VT018173HQSS		
Anti-corrosion Model Code		38VT028S73HQSSZ	38VT030S73HQSSZ	38VT032S73HQSSZ	38VT034S73HQSSZ	38VT036S73HQSSZ		
Capacity	Capacity Range	HP	28	30	32	34	36	
	Cooling	kW	80.0	85.0	90.0	95.4	100.8	
	Heating	kW	90.0	95.0	100.0	106.5	113.0	
Electrical Parameters	Power Supply	PH/V/Hz	3/380~415/50/60	3/380~415/50/60	3/380~415/50/60	3/380~415/50/60	3/380~415/50/60	
	Cooling	Rated Power Input	kW	21.80	22.70	23.60	26.10	28.6
		Max Power Input	kW	32.8	35.6	38.4	40.6	42.8
		Rated Current	A	36.80	38.32	39.84	44.06	48.28
		Max Current	A	55.37	60.10	64.83	68.54	72.26
	Heating	Rated Power Input	kW	20.60	21.50	22.40	24.60	26.80
		Max Power Input	kW	30.20	33.50	36.80	36.10	35.40
		Rated Current	A	34.78	36.30	37.82	41.53	45.24
		Max Current	A	50.98	56.55	62.13	60.94	59.76
	EER		3.67	3.74	3.81	3.66	3.52	
COP		4.37	4.42	4.46	4.33	4.22		
Performance	Air Flow (H)	m³/h	27000	27000	27000	30500	34000	
	Sound Pressure Level (H)	dB(A)	62	62.5	63	63.5	64	
	Sound Power Level (H)	dB(A)	73	73.5	74	74.5	75	
Installation	External Dimensions (W x D x H)	mm	980 x 750 x 1690 + 980 x 750 x 1690			980 x 750 x 1690+ 1410 x 750 x 1690	1410 x 750 x 1690+ 1410 x 750 x 1690	
	Shipping Dimensions (W x D x H)	mm	1070 x 850 x 1838 + 1070 x 850 x 1838			1070 x 850/1838+ 1515 x 850/1838	1515 x 850 x 1838+ 1515 x 850 x 1838	
	Net/Shipping Weight	kg	244/270+ 244/270	244/270 + 244/270			244/270+ 287/317	287/317+ 287/317
	Compressor Type		DC INV. SCROLL	DC INV. SCROLL	DC INV. SCROLL	DC INV. SCROLL	DC INV. SCROLL	
	Compressor Brand		MITSUBISHI ELECTRIC	MITSUBISHI ELECTRIC	MITSUBISHI ELECTRIC	MITSUBISHI ELECTRIC	MITSUBISHI ELECTRIC	
	Compressor Quantity		2INV	2INV	2INV	2INV	2INV	
	Refrigerant Type		R410A	R410A	R410A	R410A	R410A	
	Refrigerant Charge	kg	20	20	20	20	20	
	Refrigerant Liquid Pipe	mm	15.88	19.05	19.05	19.05	19.05	
	Refrigerant Gas Pipe	mm	28.58	31.8	31.8	31.8	38.1	
	Max. Total Pipe Length	m	1000	1000	1000	1000	1000	
	Max. Pipe Length (Equivalent/Actual)	m	260/220	260/220	260/220	260/220	260/220	
	Max Height Difference Between I.U. & O.U. (O.U. down/up) *1	m	110/90	110/90	110/90	110/90	110/90	
Max Height Difference Between I.U. *1	m	30	30	30	30	30		
External Static Pressure	Pa	110	110	110	110	110		
Connection Ratio	Connectable Indoor Unit Ratio	%	50~130	50~130	50~130	50~130	50~130	
	Maximum Number Of Indoor Units		47	50	53	56	59	
Working Temp.	Cooling	°C	-5~50					
	Heating	°C	-23~21					

Model Code		38VT038S73HQSS	38VT040S73HQSS	38VT042S73HQSS	38VT044S73HQSS	38VT046S73HQSS		
Combination Model Code		38VT018173HQSS	38VT020173HQSS	38VT020173HQSS	38VT022173HQSS	38VT022173HQSS		
Anti-corrosion Model Code		38VT038S73HQSSZ	38VT040S73HQSSZ	38VT042S73HQSSZ	38VT044S73HQSSZ	38VT046S73HQSSZ		
Capacity	Capacity Range	HP	38	40	42	44	46	
	Cooling	kW	106.4	112.0	117.5	123.0	129.5	
	Heating	kW	118.0	123.0	130.5	138.0	142.0	
Electrical Parameters	Power Supply	PH/V/Hz	3/380~415/50/60	3/380~415/50/60	3/380~415/50/60	3/380~415/50/60	3/380~415/50/60	
	Cooling	Rated Power Input	kW	29.40	30.20	31.60	33.00	34.10
		Max Power Input	kW	46.5	50.2	53.6	57.0	57.6
		Rated Current	A	49.63	50.98	53.35	55.71	57.57
		Max Current	A	78.50	84.75	90.49	96.23	97.24
	Heating	Rated Power Input	kW	28.00	29.20	30.00	30.80	32.20
		Max Power Input	kW	40.40	45.40	48.20	51.00	52.00
		Rated Current	A	47.27	49.30	50.65	52.00	54.36
		Max Current	A	68.20	76.64	81.37	86.10	87.79
	EER		3.62	3.71	3.72	3.73	3.80	
COP		4.21	4.21	4.35	4.48	4.41		
Performance	Air Flow (H)	m³/h	34000	34000	35000	36000	36000	
	Sound Pressure Level (H)	dB(A)	64	64	64	64	64.5	
	Sound Power Level (H)	dB(A)	75	75	75	75		
Installation	External Dimensions (W x D x H)	mm	1410 x 750 x 1690 + 1410 x 750 x 1690					
	Shipping Dimensions (W x D x H)	mm	1515 x 850 x 1838 + 1515 x 850 x 1838					
	Net/Shipping Weight	kg	287/317+ 370/400	370/400+ 370/400	370/400+ 370/400	370/400+ 370/400	370/400+ 370/400	
	Compressor Type		DC INV. SCROLL	DC INV. SCROLL	DC INV. SCROLL	DC INV. SCROLL	DC INV. SCROLL	
	Compressor Brand		MITSUBISHI ELECTRIC	MITSUBISHI ELECTRIC	MITSUBISHI ELECTRIC	MITSUBISHI ELECTRIC	MITSUBISHI ELECTRIC	
	Compressor Quantity		3INV	4INV	4INV	4INV	4INV	
	Refrigerant Type		R410A	R410A	R410A	R410A	R410A	
	Refrigerant Charge	kg	20	20	20	20	20	
	Refrigerant Liquid Pipe	mm	19.05	19.05	19.05	19.05	19.05	
	Refrigerant Gas Pipe	mm	38.1	38.1	38.1	38.1	38.1	
	Max. Total Pipe Length	m	1000	1000	1000	1000	1000	
	Max. Pipe Length (Equivalent/Actual)	m	260/220	260/220	260/220	260/220	260/220	
	Max Height Difference Between I.U. & O.U. (O.U. down/up) *1	m	110/90	110/90	110/90	110/90	110/90	
Max Height Difference Between I.U. *1	m	30	30	30	30	30		
External Static Pressure	Pa	110	110	110	110	110		
Connection Ratio	Connectable Indoor Unit Ratio	%	50~130	50~130	50~130	50~130	50~130	
	Maximum Number Of Indoor Units		63	64	64	64	64	
Working Temp.	Cooling	°C	-5~50					
	Heating	°C	-23~21					

Max drop between I.U.&O.U. *1
 • When max Height difference between outdoor and indoor units is greater than 50m (ODU below) /40m (ODU above), the main liquid size pipe must be enlarged by one size & setting made to long piping installation.
 • Review with a Carrier representative if height difference ODU to IDU is greater than 70m and/or total piping length is greater than 500m AND height difference between highest & lowest IDU greater than 18m AND IDU combination ratio over 100%.

* All the specifications are tested under nominal condition (in cooling, indoor temp. is 27°C DB/19°C WB; Outdoor temp 35°C DB/24WB; in heating, indoor temp. is 20°C DB, in heating, outdoor temp. is 7°C DB/6°CWB)



Specification

TD HP 8-26HP

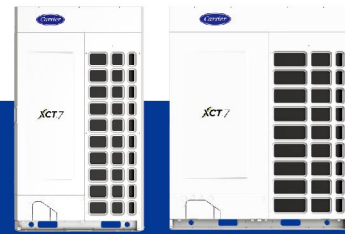


Model Code		38VT048S73HQSS	38VT050S73HQSS	38VT052S73HQSS	38VT054S73HQSS	38VT056S73HQSS		
Combination Model Code		38VT024173HQSS	38VT024173HQSS	38VT026173HQSS	38VT018173HQSS	38VT018173HQSS		
		38VT024173HQSS	38VT026173HQSS	38VT026173HQSS	38VT018173HQSS	38VT018173HQSS		
		/	/	/	/	/		
Anti-corrosion Model Code		38VT048S73HQSSZ	38VT050S73HQSSZ	38VT052S73HQSSZ	38VT054S73HQSSZ	38VT056S73HQSSZ		
Capacity	Capacity Range	HP	48	50	52	54	56	
	Cooling	kW	136.0	141.5	147.0	151.2	156.8	
	Heating	kW	146.0	155.5	165.0	169.5	174.5	
Electrical Parameters	Power Supply	PH/V/Hz	3/380~415/50/60	3/380~415/50/60	3/380~415/50/60	3/380~415/50/60	3/380~415/50/60	
	Cooling	Rated Power Input	kW	35.20	36.40	37.60	42.90	43.70
		Max Power Input	kW	58.2	62.1	66.0	64.2	67.9
		Rated Current	A	59.42	61.45	63.48	72.42	73.77
		Max Current	A	98.25	104.93	111.60	108.38	114.63
	Heating	Rated Power Input	kW	33.60	34.50	35.40	40.20	41.40
		Max Power Input	kW	53.00	56.90	60.80	53.10	58.10
		Rated Current	A	56.72	58.24	59.76	67.87	69.89
		Max Current	A	89.48	96.06	102.64	89.64	98.08
		EER		3.86	3.89	3.91	3.52	3.59
	COP		4.35	4.51	4.66	4.22	4.21	
Performance	Air Flow (H)	m³/h	36000	37000	38000	51000	51000	
	Sound Pressure Level (H)	dB(A)	65	65	65	65.8	65.8	
	Sound Power Level (H)	dB(A)	76	76	76	76.5	76.5	
Installation	External Dimensions (W x D x H)	mm	1410 x 750 x 1690 + 1410 x 750 x 1690			1410 x 750 x 1690+ 1410 x 750 x 1690+ 1410 x 750 x 1690		
	Shipping Dimensions (W x D x H)	mm	1515 x 850 x 1838 + 1515 x 850 x 1838			1515 x 850 x 1838+ 1515 x 850 x 1838+ 1515 x 850 x 1838		
	Net/Shipping Weight	kg	370/400 + 370/400	370/400 + 370/400	370/400 + 370/400	287/317+ 287/317+ 287/317	287/317+ 287/317+ 370/400	
	Compressor Type		DC INV. SCROLL	DC INV. SCROLL	DC INV. SCROLL	DC INV. SCROLL	DC INV. SCROLL	
	Compressor Brand		MITSUBISHI ELECTRIC	MITSUBISHI ELECTRIC	MITSUBISHI ELECTRIC	MITSUBISHI ELECTRIC	MITSUBISHI ELECTRIC	
	Compressor Quantity		4INV	4INV	4INV	3INV	4INV	
	Refrigerant Type		R410A	R410A	R410A	R410A	R410A	
	Refrigerant Charge	kg	20	20	20	30	30	
	Refrigerant Liquid Pipe	mm	19.05	19.05	19.05	19.05	19.05	
	Refrigerant Gas Pipe	mm	38.1	38.1	38.1	38.1	38.1	
	Max. Total Pipe Length	m	1000	1000	1000	1000	1000	
	Max. Pipe Length (Equivalent/Actual)	m	260/220	260/220	260/220	260/220	260/220	
	Max Height Difference Between I.U. & O.U. (O.U. down/up) *1	m	110/90	110/90	110/90	110/90	110/90	
	Max Height Difference Between I.U. *1	m	30	30	30	30	30	
External Static Pressure	Pa	110	110	110	110	110		
Connection Ratio	Connectable Indoor Unit Ratio	%	50~130	50~130	50~130	50~130	50~130	
	Maximum Number Of Indoor Units		64	64	64	64	64	
Working Temp.	Cooling	°C	-5~50					
	Heating	°C	-23~21					

Model Code		38VT058S73HQSS	38VT060S73HQSS	38VT062S73HQSS	38VT064S73HQSS	38VT066S73HQSS		
Combination Model Code		38VT018173HQSS	38VT020173HQSS	38VT022173HQSS	38VT022173HQSS	38VT022173HQSS		
		38VT020173HQSS	38VT020173HQSS	38VT020173HQSS	38VT022173HQSS	38VT022173HQSS		
		/	/	/	/	/		
Anti-corrosion Model Code		38VT058S73HQSSZ	38VT060S73HQSSZ	38VT062S73HQSSZ	38VT064S73HQSSZ	38VT066S73HQSSZ		
Capacity	Capacity Range	HP	58	60	62	64	66	
	Cooling	kW	162.4	168.0	173.5	179.0	184.5	
	Heating	kW	179.5	184.5	192.0	199.5	207.0	
Electrical Parameters	Power Supply	PH/V/Hz	3/380~415/50/60	3/380~415/50/60	3/380~415/50/60	3/380~415/50/60	3/380~415/50/60	
	Cooling	Rated Power Input	kW	44.50	45.30	46.70	48.10	49.50
		Max Power Input	kW	71.6	75.3	78.7	82.1	85.5
		Rated Current	A	75.13	76.48	78.84	81.20	83.57
		Max Current	A	120.88	127.12	132.86	138.60	144.34
	Heating	Rated Power Input	kW	42.60	43.80	44.60	45.40	46.20
		Max Power Input	kW	63.10	68.10	70.90	73.70	76.50
		Rated Current	A	71.92	73.94	75.29	76.64	78.00
		Max Current	A	106.53	114.97	119.69	124.42	129.15
		EER		3.65	3.71	3.72	3.72	3.73
	COP		4.21	4.21	4.30	4.39	4.48	
Performance	Air Flow (H)	m³/h	51000	51000	52000	53000	54000	
	Sound Pressure Level (H)	dB(A)	65.8	65.8	65.8	65.8	65.8	
	Sound Power Level (H)	dB(A)	76.5	76.5	76.5	76.5	76.5	
Installation	External Dimensions (W x D x H)	mm	1410 x 750 x 1690 + 1410 x 750 x 1690 + 1410 x 750 x 1690					
	Shipping Dimensions (W x D x H)	mm	1515 x 850 x 1838 + 1515 x 850 x 1838 + 1515 x 850 x 1838					
	Net/Shipping Weight	kg	287/317+ 370/400+ 370/400	370/400 + 370/400 + 370/400				
	Compressor Type		DC INV. SCROLL	DC INV. SCROLL	DC INV. SCROLL	DC INV. SCROLL	DC INV. SCROLL	
	Compressor Brand		MITSUBISHI ELECTRIC	MITSUBISHI ELECTRIC	MITSUBISHI ELECTRIC	MITSUBISHI ELECTRIC	MITSUBISHI ELECTRIC	
	Compressor Quantity		5INV	6INV	6INV	6INV	6INV	
	Refrigerant Type		R410A	R410A	R410A	R410A	R410A	
	Refrigerant Charge	kg	30	30	30	30	30	
	Refrigerant Liquid Pipe	mm	19.05	19.05	19.05	19.05	19.05	
	Refrigerant Gas Pipe	mm	41.3	41.3	41.3	41.3	41.3	
	Max. Total Pipe Length	m	1000	1000	1000	1000	1000	
	Max. Pipe Length (Equivalent/Actual)	m	260/220	260/220	260/220	260/220	260/220	
	Max Height Difference Between I.U. & O.U. (O.U. down/up) *1	m	110/90	110/90	110/90	110/90	110/90	
	Max Height Difference Between I.U. *1	m	30	30	30	30	30	
External Static Pressure	Pa	110	110	110	110	110		
Connection Ratio	Connectable Indoor Unit Ratio	%	50~130	50~130	50~130	50~130	50~130	
	Maximum Number Of Indoor Units		63	64	64	64	64	
Working Temp.	Cooling	°C	-5~50					
	Heating	°C	-23~21					

Max drop between I.U.&O.U. *1
 • When max Height difference between outdoor and indoor units is greater than 50m (ODU below) /40m (ODU above), the main liquid size pipe must be enlarged by one size & setting made to longpiping installation.
 • Review with a Carrier representative if height difference ODU to IDU is greater than 70m and/or total piping length is greater than 500m AND height difference between highest & lowest IDU greater than 18m AND IDU combination ratio over 100%.

* All the specifications are tested under nominal condition (in cooling, indoor temp. is 27°C DB/19°C WB; Outdoor temp 35°C DB/24WB; in heating, indoor temp. is 20°C DB, in heating, outdoor temp. is 7°C DB/6°CWB)



Specification

TD HP 8-26HP

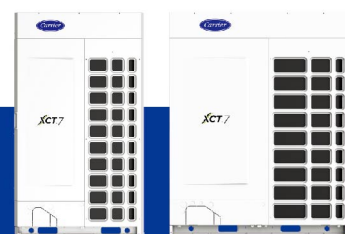


Model Code		38VT068S73HQSS	38VT070S73HQSS	38VT072S73HQSS	38VT074S73HQSS	38VT076S73HQSS		
Combination Model Code		38VT022173HQSS	38VT022173HQSS	38VT024173HQSS	38VT026173HQSS	38VT026173HQSS		
Combination Model Code		38VT022173HQSS	38VT024173HQSS	38VT024173HQSS	38VT024173HQSS	38VT026173HQSS		
Combination Model Code		38VT024173HQSS	38VT024173HQSS	38VT024173HQSS	38VT024173HQSS	38VT024173HQSS		
Combination Model Code		/	/	/	/	/		
Combination Model Code		38VT068S73HQSSZ	38VT070S73HQSSZ	38VT072S73HQSSZ	38VT074S73HQSSZ	38VT076S73HQSSZ		
Capacity	Capacity Range	HP	68	70	72	74	76	
	Cooling	kW	191.0	197.5	204.0	209.5	215.0	
	Heating	kW	211.0	215.0	219.0	228.0	238.0	
Electrical Parameters	Power Supply	PH/V/Hz	3/380~415/50/60	3/380~415/50/60	3/380~415/50/60	3/380~415/50/60	3/380~415/50/60	
	Cooling	Rated Power Input	kW	50.60	51.70	52.80	54.00	55.20
		Max Power Input	kW	86.1	86.7	87.3	91.2	95.1
		Rated Current	A	85.42	87.28	89.14	91.16	93.19
		Max Current	A	145.35	146.37	147.38	154.05	160.73
	Heating	Rated Power Input	kW	47.60	49.00	50.40	51.30	52.20
		Max Power Input	kW	77.50	78.50	79.50	83.40	87.30
		Rated Current	A	80.36	82.72	85.09	86.61	88.12
		Max Current	A	130.84	132.52	134.21	140.80	147.38
	EER		3.77	3.82	3.86	3.88	3.89	
COP		4.43	4.39	4.35	4.45	4.56		
Performance	Air Flow (H)	m³/h	54000	54000	54000	55000	56000	
	Sound Pressure Level (H)	dB(A)	66	66.5	66.8	66.8	66.8	
	Sound Power Level (H)	dB(A)	77	77.5	77.8	77.8	77.8	
Installation	External Dimensions (W x D x H)	mm	1410 x 750 x 1690 + 1410 x 750 x 1690 + 1410 x 750 x 1690					
	Shipping Dimensions (W x D x H)	mm	1515 x 850 x 1838 + 1515 x 850 x 1838 + 1515 x 850 x 1838					
	Net/Shipping Weight	kg	370/400 + 370/400 + 370/400					
	Compressor Type		DC INV. SCROLL	DC INV. SCROLL	DC INV. SCROLL	DC INV. SCROLL	DC INV. SCROLL	
	Compressor Brand		MITSUBISHI ELECTRIC	MITSUBISHI ELECTRIC	MITSUBISHI ELECTRIC	MITSUBISHI ELECTRIC	MITSUBISHI ELECTRIC	
	Compressor Quantity		6INV	6INV	6INV	6INV	6INV	
	Refrigerant Type		R410A	R410A	R410A	R410A	R410A	
	Refrigerant Charge	kg	30	30	30	30	30	
	Refrigerant Liquid Pipe	mm	22.2	22.2	22.2	22.2	22.2	
	Refrigerant Gas Pipe	mm	44.5	44.5	44.5	44.5	44.5	
	Max. Total Pipe Length	m	1000	1000	1000	1000	1000	
	Max. Pipe Length (Equivalent/Actual)	m	260/220	260/220	260/220	260/220	260/220	
	Max Height Difference Between I.U. & O.U. (O.U. down/up) *1	m	110/90	110/90	110/90	110/90	110/90	
	Max Height Difference Between I.U.*1	m	30	30	30	30	30	
External Static Pressure	Pa	110	110	110	110	110		
Connection Ratio	Connectable Indoor Unit Ratio	%	50~130	50~130	50~130	50~130	50~130	
	Maximum Number Of Indoor Units		64	64	64	64	64	
Working Temp.	Cooling	°C	-5~50					
	Heating	°C	-23~21					

Model Code		38VT078S73HQSS	38VT080S73HQSS	38VT082S73HQSS	38VT084S73HQSS	38VT086S73HQSS		
Combination Model Code		38VT026173HQSS	38VT020173HQSS	38VT020173HQSS	38VT020173HQSS	38VT020173HQSS		
Combination Model Code		38VT026173HQSS	38VT020173HQSS	38VT020173HQSS	38VT020173HQSS	38VT022173HQSS		
Combination Model Code		38VT026173HQSS	38VT020173HQSS	38VT022173HQSS	38VT022173HQSS	38VT022173HQSS		
Combination Model Code		/	38VT020173HQSS	38VT022173HQSS	38VT022173HQSS	38VT022173HQSS		
Combination Model Code		38VT078S73HQSSZ	38VT080S73HQSSZ	38VT082S73HQSSZ	38VT084S73HQSSZ	38VT086S73HQSSZ		
Capacity	Capacity Range	HP	78	80	82	84	86	
	Cooling	kW	220.5	224.0	229.5	235.0	240.5	
	Heating	kW	247.5	246.0	253.5	261.0	268.5	
Electrical Parameters	Power Supply	PH/V/Hz	3/380~415/50/60	3/380~415/50/60	3/380~415/50/60	3/380~415/50/60	3/380~415/50/60	
	Cooling	Rated Power Input	kW	56.40	60.40	61.80	63.20	64.60
		Max Power Input	kW	99.0	100.4	103.8	107.2	110.6
		Rated Current	A	95.21	101.97	104.33	106.69	109.06
		Max Current	A	167.40	169.50	175.24	180.98	186.72
	Heating	Rated Power Input	kW	53.10	58.40	59.20	60.00	60.80
		Max Power Input	kW	91.20	90.80	93.60	96.40	99.20
		Rated Current	A	89.64	98.59	99.94	101.29	102.64
		Max Current	A	153.96	153.29	158.02	162.74	167.47
	EER		3.91	3.71	3.71	3.72	3.72	
COP		4.66	4.21	4.28	4.35	4.42		
Performance	Air Flow (H)	m³/h	57000	68000	69000	70000	71000	
	Sound Pressure Level (H)	dB(A)	66.8	67	67	67	67	
	Sound Power Level (H)	dB(A)	77.7	78	78	78	78	
Installation	External Dimensions (W x D x H)	mm	1410 x 750 x 1690+ 1410 x 750 x 1690+ 1410 x 750 x 1690	1410 x 750 x 1690 + 1410 x 750 x 1690 + 1410 x 750 x 1690 + 1410 x 750 x 1690				
	Shipping Dimensions (W x D x H)	mm	1515 x 850 x 1838+ 1515 x 850 x 1838+ 1515 x 850 x 1838	1515 x 850 x 1838 + 1515 x 850 x 1838 + 1515 x 850 x 1838 + 1515 x 850 x 1838				
	Net/Shipping Weight	kg	370/400+ 370/400+ 370/400	370/400 + 370/400 + 370/400 + 370/400				
	Compressor Type		DC INV. SCROLL	DC INV. SCROLL	DC INV. SCROLL	DC INV. SCROLL	DC INV. SCROLL	
	Compressor Brand		MITSUBISHI ELECTRIC	MITSUBISHI ELECTRIC	MITSUBISHI ELECTRIC	MITSUBISHI ELECTRIC	MITSUBISHI ELECTRIC	
	Compressor Quantity		6INV	8INV	8INV	8INV	8INV	
	Refrigerant Type		R410A	R410A	R410A	R410A	R410A	
	Refrigerant Charge	kg	30	40	40	40	40	
	Refrigerant Liquid Pipe	mm	22.2	22.2	22.2	22.2	25.4	
	Refrigerant Gas Pipe	mm	44.5	44.5	44.5	44.5	50.8	
	Max. Total Pipe Length	m	1000	1000	1000	1000	1000	
	Max. Pipe Length (Equivalent/Actual)	m	260/220	260/220	260/220	260/220	260/220	
	Max Height Difference Between I.U. & O.U. (O.U. down/up) *1	m	110/90	110/90	110/90	110/90	110/90	
	Max Height Difference Between I.U.*1	m	30	30	30	30	30	
External Static Pressure	Pa	110	110	110	110	110		
Connection Ratio	Connectable Indoor Unit Ratio	%	50~130	50~130	50~130	50~130	50~130	
	Maximum Number Of Indoor Units		64	64	64	64	64	
Working Temp.	Cooling	°C	-5~50					
	Heating	°C	-23~21					

Max drop between I.U.&O.U *1
 • When max Height difference between outdoor and indoor units is greater than 50m (ODU below) /40m (ODU above), the main liquid size pipe must be enlarged by one size & setting made to longpiping installation.
 • Review with a Carrier representative if height difference ODU to IDU is greater than 70m and/or total piping length is greater than 500m AND height difference between highest & lowest IDU greater than 18m AND IDU combination ratio over 100%.

* All the specifications are tested under nominal condition (in cooling, indoor temp. is 27°C DB/19°C WB; Outdoor temp 35°C DB/24WB; in heating, indoor temp. is 20°C DB, in heating, outdoor temp. is 7°C DB/6°CWB)



Specification

TD HP 8-26HP



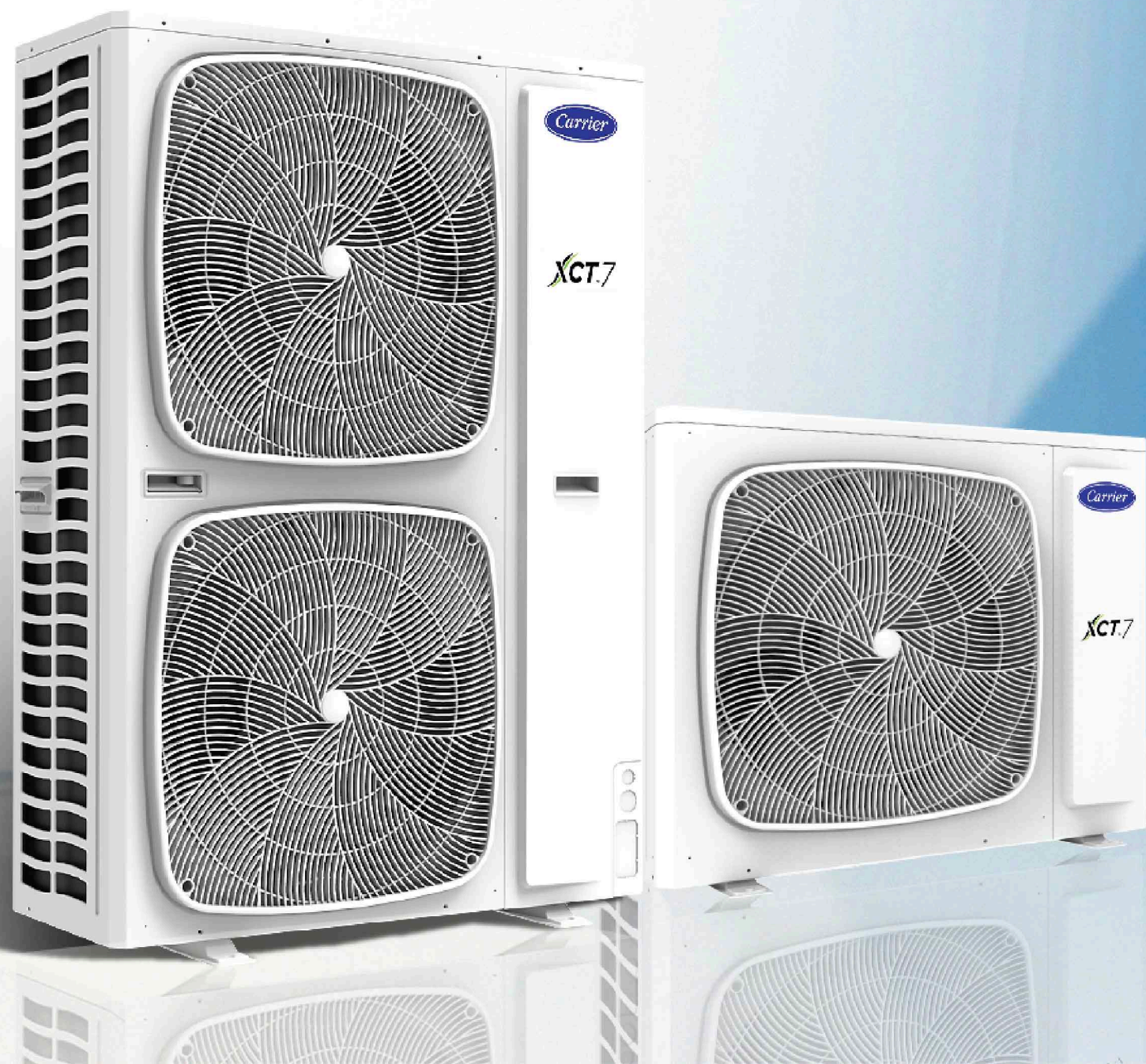
Model Code		38VT088S73HQSS	38VT090S73HQSS	38VT092S73HQSS	38VT094S73HQSS	38VT096S73HQSS		
Combination Model Code		38VT022173HQSS	38VT024173HQSS	38VT024173HQSS	38VT024173HQSS	38VT024173HQSS		
Anti-corrosion Model Code		38VT088S73HQSSZ	38VT090S73HQSSZ	38VT092S73HQSSZ	38VT094S73HQSSZ	38VT096S73HQSSZ		
Capacity	Capacity Range	HP	88	90	92	94	96	
	Cooling	kW	246.0	252.5	259.0	265.5	272.0	
	Heating	kW	276.0	280.0	284.0	288.0	292.0	
Electrical Parameters	Power Supply	PH/V/Hz	3/380~415/50/60	3/380~415/50/60	3/380~415/50/60	3/380~415/50/60	3/380~415/50/60	
	Cooling	Rated Power Input	kW	66.00	67.10	68.20	69.30	70.40
		Max Power Input	kW	114.0	114.6	115.2	115.8	116.4
		Rated Current	A	111.42	113.28	115.14	116.99	118.85
		Max Current	A	192.46	193.47	194.48	195.49	196.51
	Heating	Rated Power Input	kW	61.60	63.00	64.40	65.80	67.20
		Max Power Input	kW	102.00	103.00	104.00	105.00	106.00
		Rated Current	A	103.99	106.36	108.72	111.08	113.45
		Max Current	A	172.20	173.89	175.57	177.26	178.95
	EER		3.73	3.76	3.80	3.83	3.86	
	COP		4.48	4.44	4.41	4.38	4.35	
	Performance	Air Flow (H)	m³/h	72000	72000	72000	72000	72000
		Sound Pressure Level (H)	dB(A)	67	67.5	67.5	68	68
Sound Power Level (H)		dB(A)	78	78.5	78.5	78.8	79	
Installation	External Dimensions (W x D x H)	mm	1410 x 750 x 1690 + 1410 x 750 x 1690 + 1410 x 750 x 1690 + 1410 x 750 x 1690					
	Shipping Dimensions (W x D x H)	mm	1515 x 850 x 1838 + 1515 x 850 x 1838 + 1515 x 850 x 1838 + 1515 x 850 x 1838					
	Net/Shipping Weight	kg	370/400 + 370/400 + 370/400 + 370/400					
	Compressor Type		DC INV. SCROLL	DC INV. SCROLL	DC INV. SCROLL	DC INV. SCROLL	DC INV. SCROLL	
	Compressor Brand		MITSUBISHI ELECTRIC	MITSUBISHI ELECTRIC	MITSUBISHI ELECTRIC	MITSUBISHI ELECTRIC	MITSUBISHI ELECTRIC	
	Compressor Quantity		8INV	8INV	8INV	8INV	8INV	
	Refrigerant Type		R410A	R410A	R410A	R410A	R410A	
	Refrigerant Charge	kg	40	40	40	40	40	
	Refrigerant Liquid Pipe	mm	25.4	25.4	25.4	25.4	25.4	
	Refrigerant Gas Pipe	mm	50.8	50.8	50.8	50.8	50.8	
	Max. Total Pipe Length	m	1000	1000	1000	1000	1000	
	Max. Pipe Length (Equivalent/Actual)	m	260/220	260/220	260/220	260/220	260/220	
	Max Height Difference Between I.U. & O.U. (O.U. down/up) *1	m	110/90	110/90	110/90	110/90	110/90	
	Max Height Difference Between I.U. *1	m	30	30	30	30	30	
	External Static Pressure	Pa	110	110	110	110	110	
Connection Ratio	Connectable Indoor Unit Ratio	%	50~130	50~130	50~130	50~130	50~130	
	Maximum Number Of Indoor Units		64	64	64	64	64	
Working Temp.	Cooling	°C	-5~50					
	Heating	°C	-23~21					

Model Code		38VT098S73HQSS	38VT100S73HQSS	38VT102S73HQSS	38VT104S73HQSS		
Combination Model Code		38VT026173HQSS	38VT026173HQSS	38VT026173HQSS	38VT026173HQSS		
Anti-corrosion Model Code		38VT098S73HQSSZ	38VT100S73HQSSZ	38VT102S73HQSSZ	38VT104S73HQSSZ		
Capacity	Capacity Range	HP	98	100	102	104	
	Cooling	kW	277.5	283.0	288.5	294.0	
	Heating	kW	301.5	311.0	320.5	330.0	
Electrical Parameters	Power Supply	PH/V/Hz	3/380~415/50/60	3/380~415/50/60	3/380~415/50/60	3/380~415/50/60	
	Cooling	Rated Power Input	kW	71.60	72.80	74.00	75.20
		Max Power Input	kW	120.3	124.2	128.1	132.0
		Rated Current	A	120.88	122.90	124.93	126.95
		Max Current	A	203.18	209.85	216.53	223.20
	Heating	Rated Power Input	kW	68.10	69.00	69.90	70.80
		Max Power Input	kW	109.90	113.80	117.70	121.60
		Rated Current	A	114.97	116.49	118.01	119.53
		Max Current	A	185.53	192.12	198.70	205.29
	EER		3.88	3.89	3.90	3.91	
	COP		4.43	4.51	4.59	4.66	
	Performance	Air Flow (H)	m³/h	73000	74000	75000	76000
		Sound Pressure Level (H)	dB(A)	68	68	68	68
Sound Power Level (H)		dB(A)	79	79	79	79	
Installation	External Dimensions (W x D x H)	mm	1410 x 750 x 1690 + 1410 x 750 x 1690 + 1410 x 750 x 1690 + 1410 x 750 x 1690				
	Shipping Dimensions (W x D x H)	mm	1515 x 850 x 1838 + 1515 x 850 x 1838 + 1515 x 850 x 1838 + 1515 x 850 x 1838				
	Net/Shipping Weight	kg	370/400 + 370/400 + 370/400 + 370/400				
	Compressor Type		DC INV. SCROLL	DC INV. SCROLL	DC INV. SCROLL	DC INV. SCROLL	
	Compressor Brand		MITSUBISHI ELECTRIC	MITSUBISHI ELECTRIC	MITSUBISHI ELECTRIC	MITSUBISHI ELECTRIC	
	Compressor Quantity		8INV	8INV	8INV	8INV	
	Refrigerant Type		R410A	R410A	R410A	R410A	
	Refrigerant Charge	kg	40	40	40	40	
	Refrigerant Liquid Pipe	mm	25.4	25.4	25.4	25.4	
	Refrigerant Gas Pipe	mm	54.1	54.1	54.1	54.1	
	Max. Total Pipe Length	m	1000	1000	1000	1000	
	Max. Pipe Length (Equivalent/Actual)	m	260/220	260/220	260/220	260/220	
	Max Height Difference Between I.U. & O.U. (O.U. down/up) *1	m	110/90	110/90	110/90	110/90	
	Max Height Difference Between I.U. *1	m	30	30	30	30	
	External Static Pressure	Pa	110	110	110	110	
Connection Ratio	Connectable Indoor Unit Ratio	%	50~130	50~130	50~130	50~130	
	Maximum Number Of Indoor Units		64	64	64	64	
Working Temp.	Cooling	°C	-5~50				
	Heating	°C	-23~21				

Max drop between I.U.&O.U. *1
 • When max Height difference between outdoor and indoor units is greater than 50m (ODU below) /40m (ODU above), the main liquid size pipe must be enlarged by one size & setting made to long piping installation.
 • Review with a Carrier representative if height difference ODU to IDU is greater than 70m and/or total piping length is greater than 500m AND height difference between highest & lowest IDU greater than 18m AND IDU combination ratio over 100%.

* All the specifications are tested under nominal condition (in cooling, indoor temp. is 27°C DB/19°C WB; Outdoor temp 35°C DB/24°C WB; in heating, indoor temp. is 20°C DB, in heating, outdoor temp. is 7°C DB/6°C WB)

outdoor

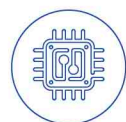


SIDE DISCHARGE

Compact design for flexible application in small or narrow spaces

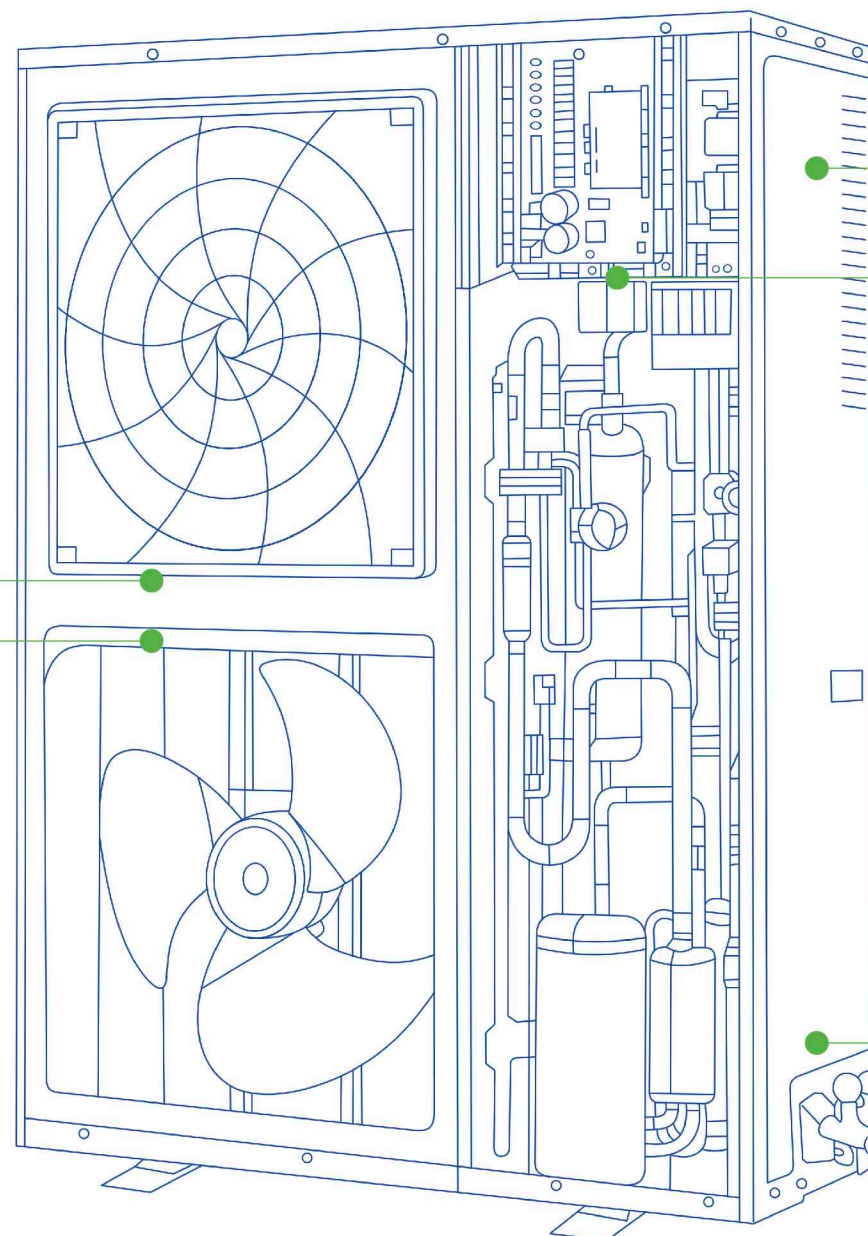


Carrier Product Benefits 4/5/6 hp



Leadership in Advanced Technology

- **Two-stage Sub-cooling Cycle Technology**
Increases unit efficiency by 9%.
- **Maximizing 30°C Sub-cooling**
Increase unit refrigerating capacity by 46%
- **Adding of the Sub-cooling Coiler at the Bottom of the Outdoor Exchanger**
Increases the efficiency of the sub-cooling in the system to achieve deep sub-cooling



High Efficiency

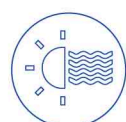
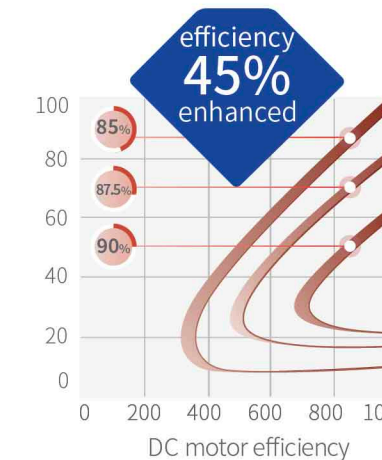
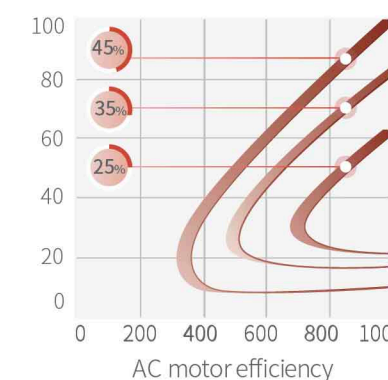
- **DC Inverter Compressor**
Carrier XCT7 uses DC INV. compressors, with 5% lower input power (14 kW)
- **Large 550 mm DC Powered Fan**
38% lower power input, 8% higher airflow
- **Larger Heat Exchanger**
Heat exchange area increased by 10%
- **Charge Valve**
Built-in charge valve enables safer and easier maintenance
- **Low Standby Power**
New PCB program reduces 20% standby power consumption



DC Fan and Fan

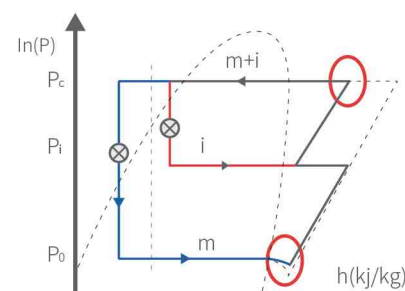
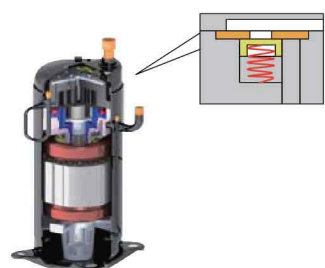
DC Power Brings Higher Efficiency to Running Partial Load

- 16-stage speed control; high-efficiency running especially in low speed
- 45% higher efficiency than AC motors
- Lower power input



More Powerful Heating Capacity by Enthalpy Injection

In low ambient conditions, condenser heat rejection is weakened. The amount of hot gas returning to the compressor is greatly reduced. However, the Indoor units can receive more heating capacity thanks to residual enthalpy injection from the secondary subcooler.



Large Diameter Fan

The large fan of 550 mm diameter allows for greater airflow and hence, higher efficiency



Superior Comfort

New Aerodynamics Fan

550mm super big diameter aerospace helix fan to lowers sound level by 3dB(A)





Carrier Product Benefits

4/5/6 hp

8/10/12 hp

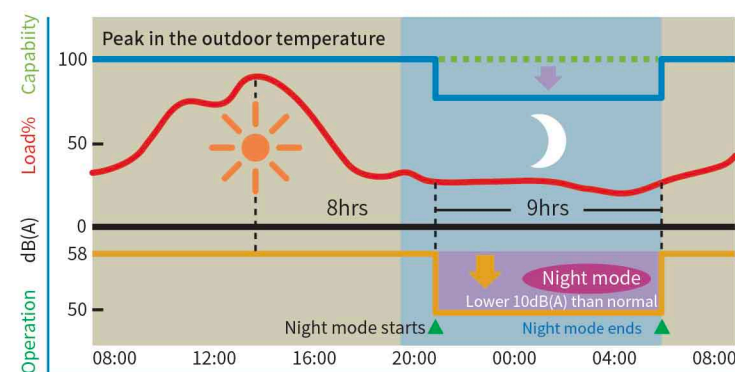


High Efficiency

- **DC Inverter Compressor**
Carrier XCT-7 takes DC INV. compressor, with 5% power input lower. (14kW)
- **DC Fan Motor and 550mm Big Fan**
38% power input lower and 8% airflow higher
- **Larger Heat Exchanger**
Heat exchange area increased by 10%
- **Charge Valve**
Built-in charge valve to enable safer and easier maintenance
- **Low Standby Power**
New PCB program to reduce 20% standby power consumption

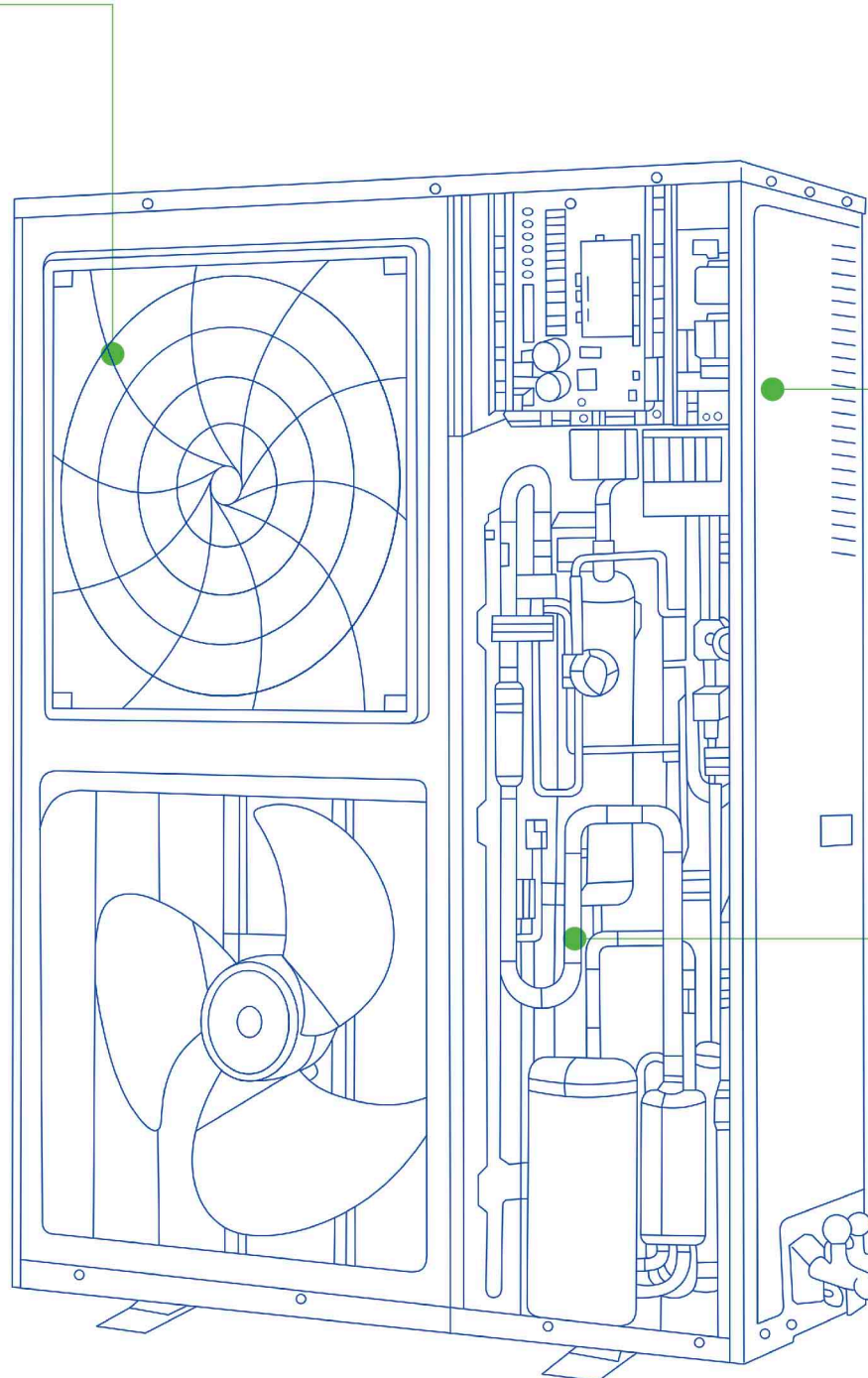
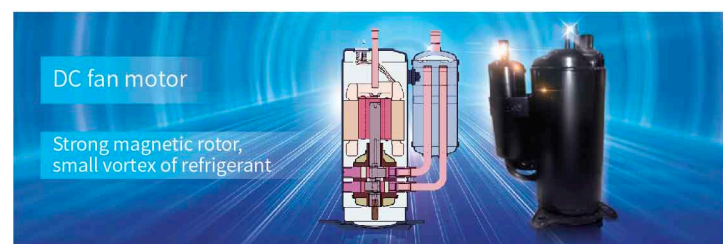
Low Noise Level

- **Night Mode Operation Function**
Noise can be reduced to as much as 45dB (A)



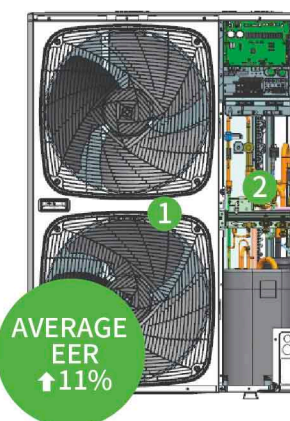
New DC Inverter with Twin Rotary Compressor

Small torque changes & good dynamic balance allows the system to run stably, with little vibration, low noise and higher efficiency when running partial load



Super Comfort

- 1 **Enlarged Air Inlet Path and Spiral Air Outlet**
Air flow follows the grill direction to lower sound level by 2-4 dB(A)
- 2 **Automatic Sound-lowering Program**
Night mode set by PCB to lower sound level by 8dB (A)



- **Vector Inverter Control - More Precise**
- **DC Fan Motor Bracket & Non-resonance Structure**
Ensures smooth running of the motor to reduce operating noise
- **DC Inverter Twin Rotary Compressor**
Smooth operation with no need to frequently start the compressor effectively reduces the outdoor noise
- **Big Diameter Fan**
Design according to the aviation quieter principle





Carrier Product Benefits

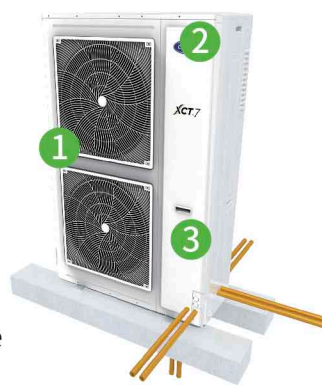
4/5/6 hp

8/10/12 hp



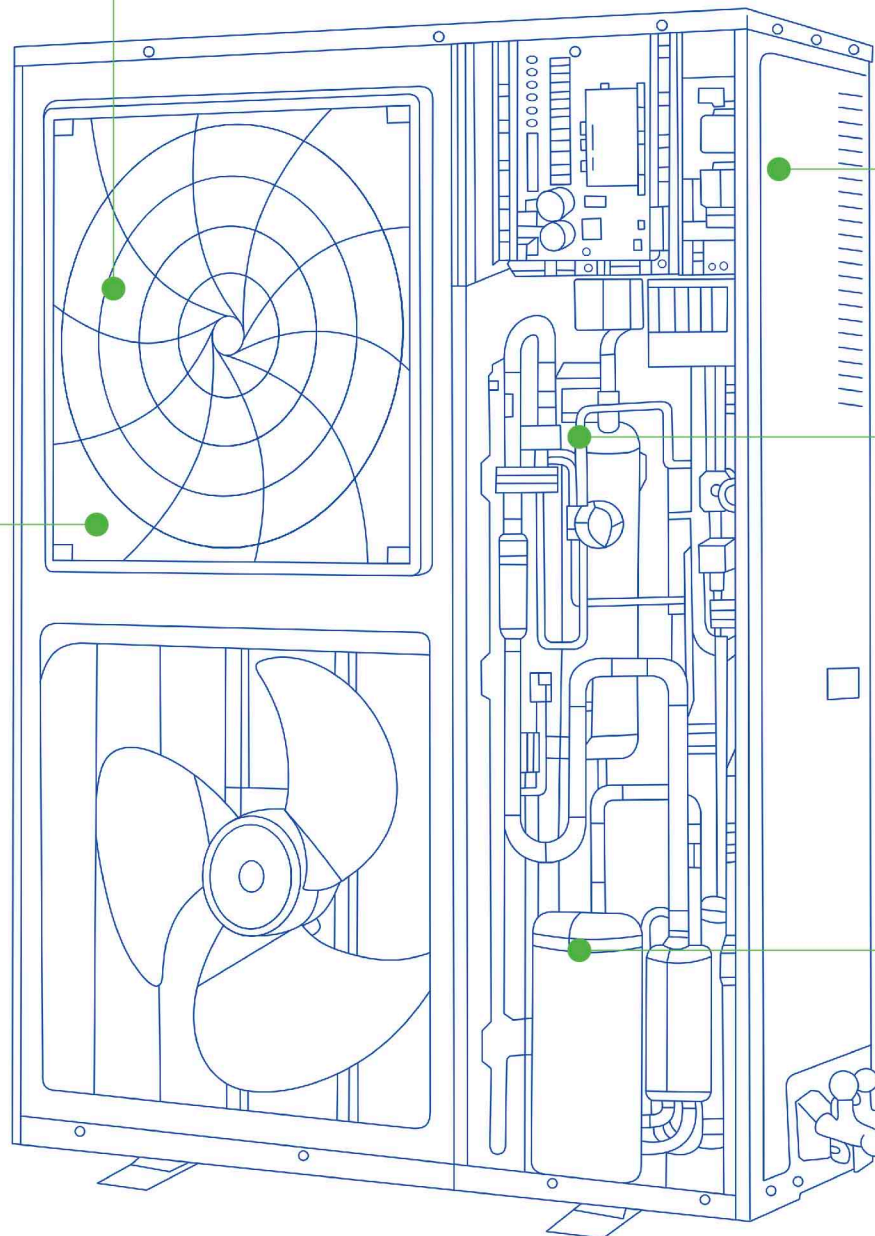
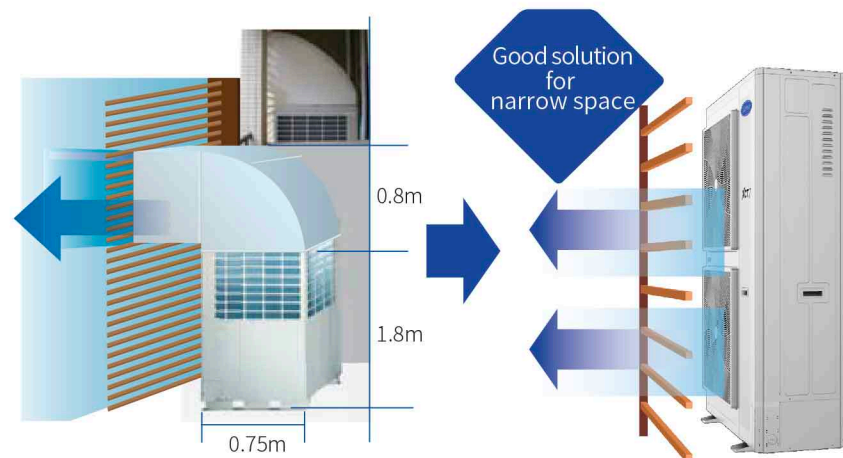
Easy Installation

- 1 **Double Side '4' Handles**
Easy to carry
- 2 **'888' Test Panel**
All running data and error codes can be checked from '888' screen, which is easy for installers
- 3 **Four-way Pipe Connection**
Four way (front, back, left and right) pipe connection, easy to design and install



Compact Discharge Design

Big Capacity, Small Footprint with only 0.42 m², to reduce floor area by as much as 43%. No need an additional ventilation hood as compared to the top discharge unit.



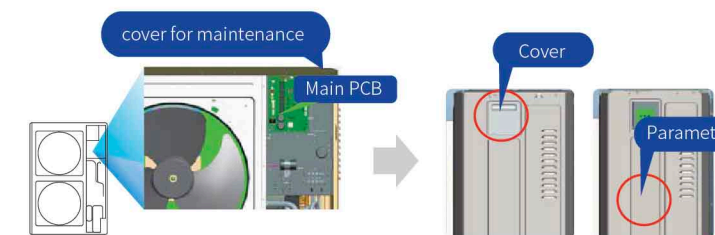
Easy Maintenance for Control

- **Front-facing, Hinge Design Control Box**
Reserving space by 108 mm between control box and top panel, the easy-to-open unit allows for maintenance from the top



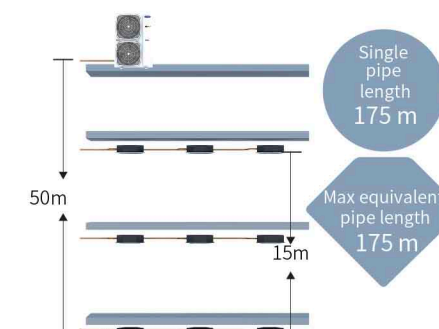
Parameter Display Panel

- **Parameter Display Panel**
The first original parameter display panel is on the side
The parameter can be observed directly by opening the protective cover
No need to remove the repair board



Long Pipe Length, High Height Drop

- **Long Pipe Length, High Height Drop**
Total pipe length: 300 m
Single pipe length: Max.175 m



outdoor



Carrier Product Benefits

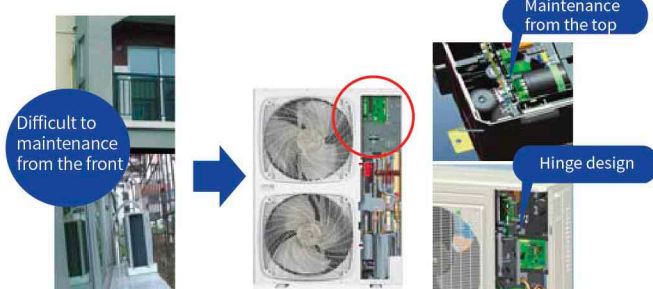
4/5/6 hp

8/10/12 hp



Easy Maintenance for Control

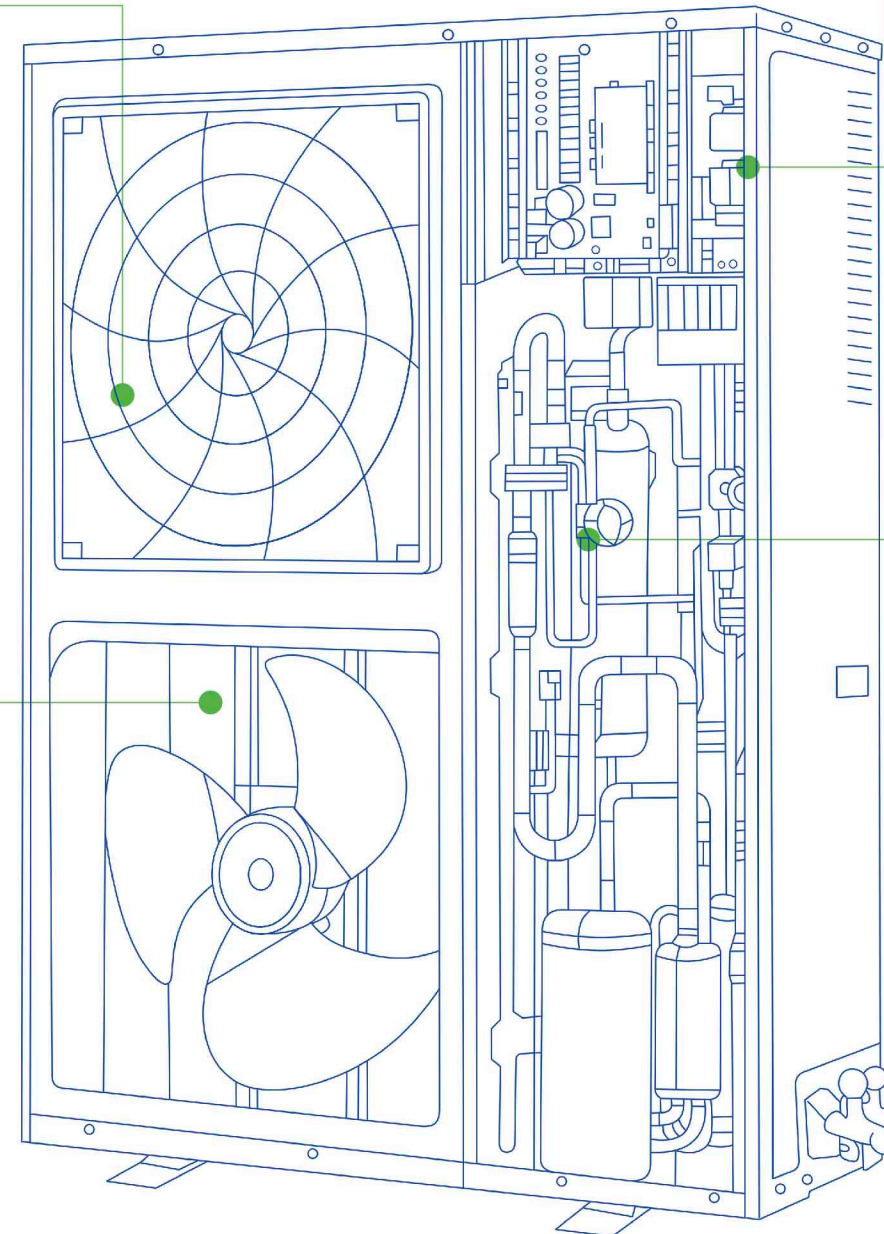
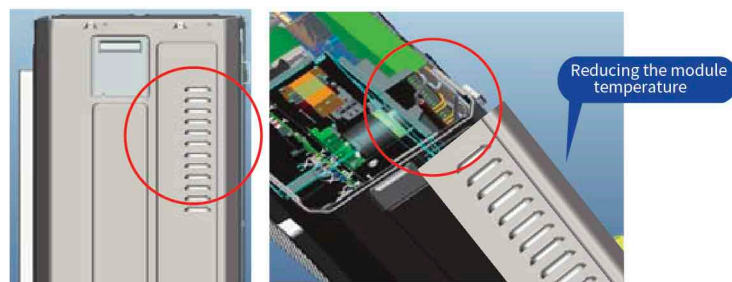
The control box is in front, reserving 108 mm between the control box and top panel, and along with the hinge design, allows for easy maintenance from the top



outdoor

Air Inlet Grill Design on Right Side Panel

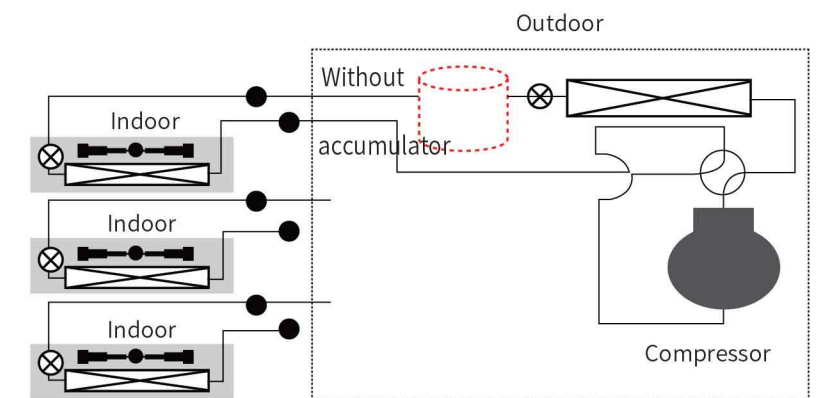
This is to effectively reduce the module temperature and avoid air dust entering the air conditioner



High Reliability

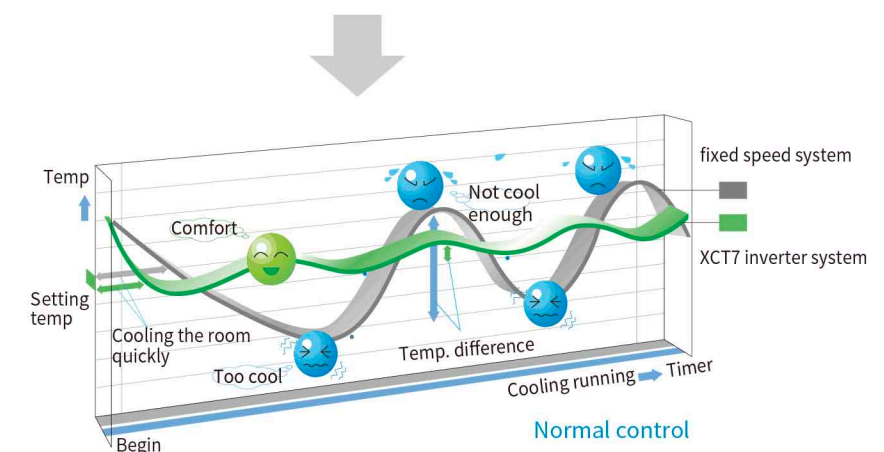
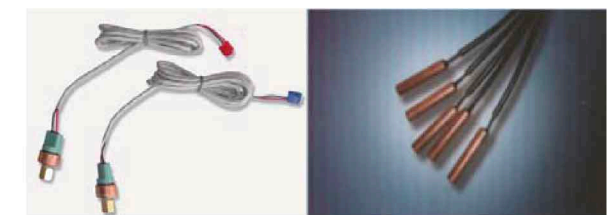
Refrigerant Control Technology

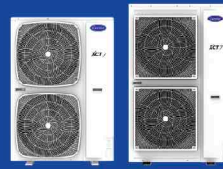
Refrigerant control technology without high pressure accumulator reduces the refrigerant volume and enhances the running efficiency



High and Low Double Pressure Sensor

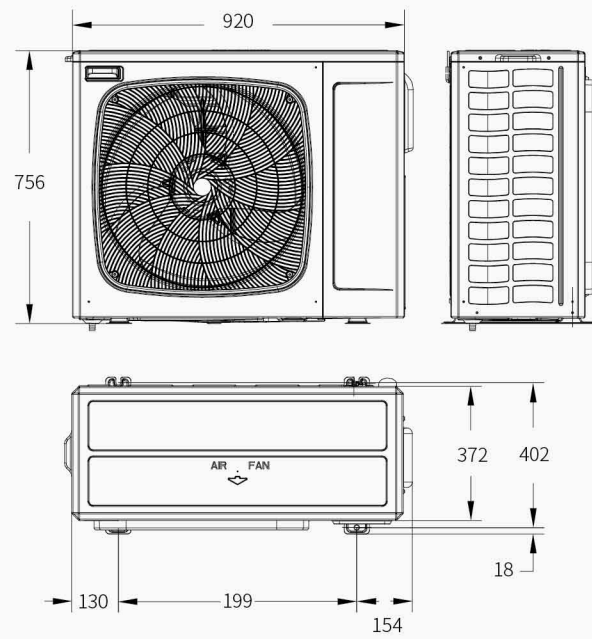
Double pressure sensors with PID control technology together with high speed communication allow quicker start of compressor and the more precise control. The temperature can be controlled $\pm 0.5^\circ\text{C}$



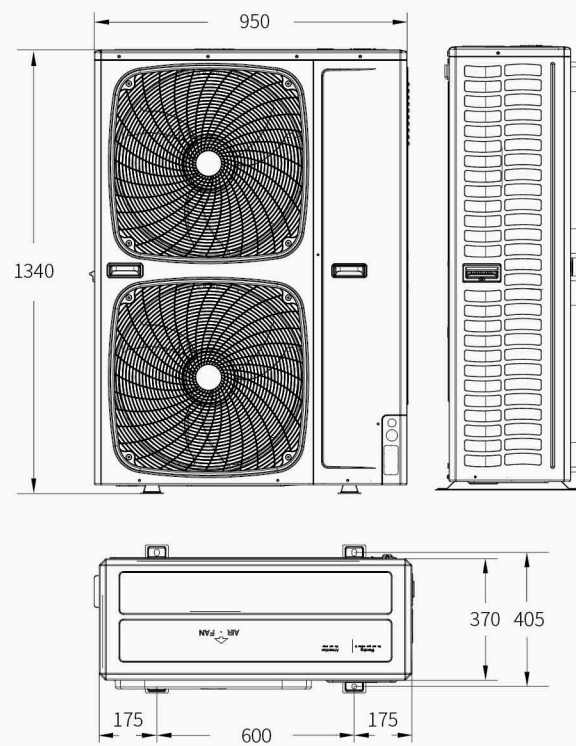


Dimensions (3-7HP Compact Range)

3 HP Single Fan Side Discharge

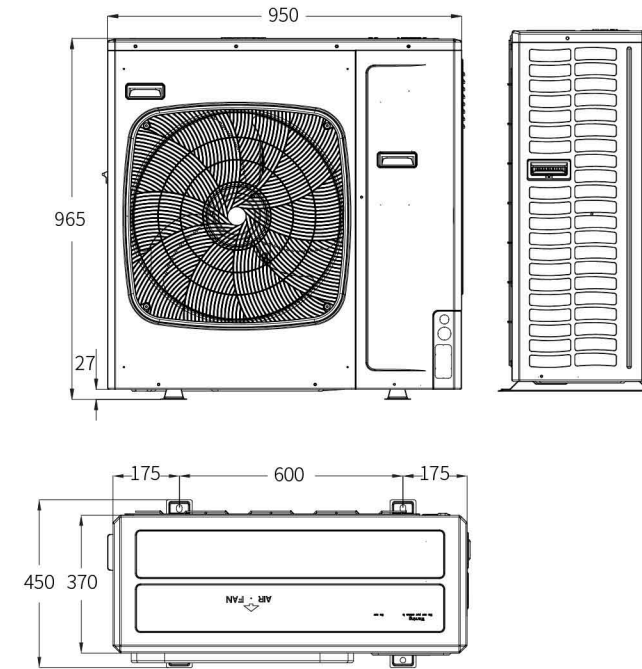


5/7 HP Dual Fan Side Discharge

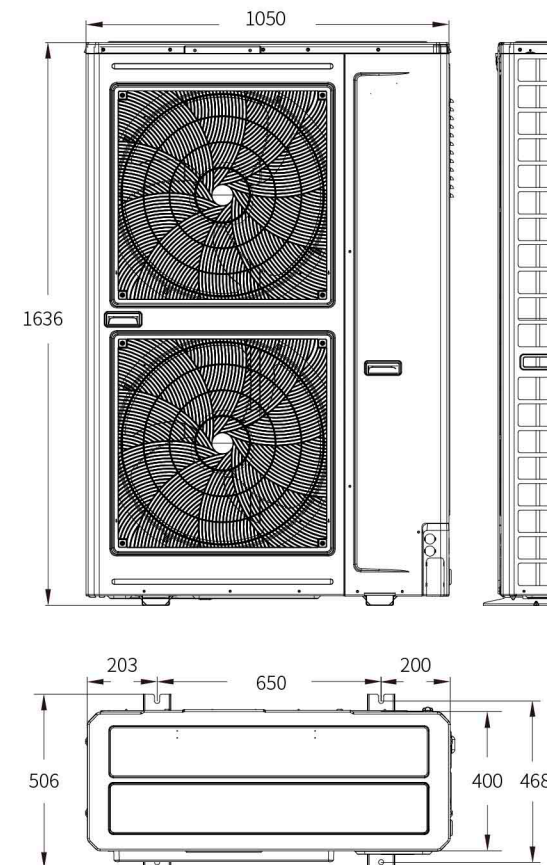


Dimensions (4-12HP)

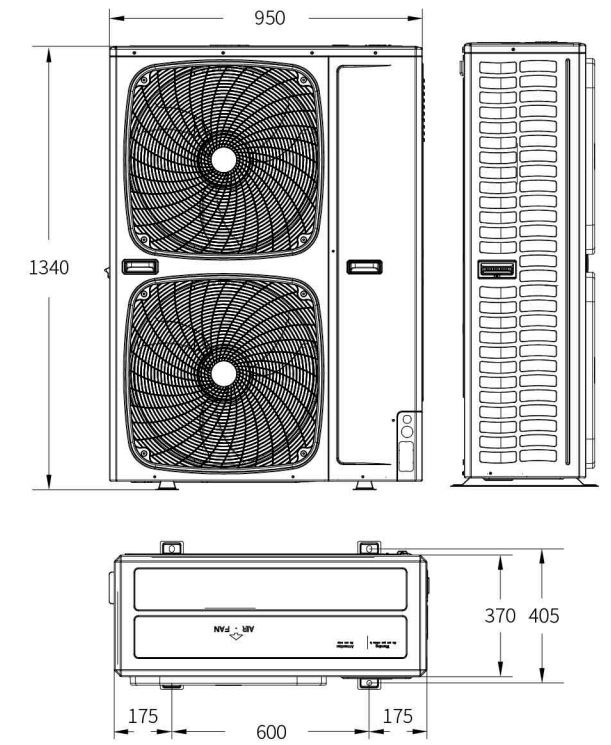
4/5 HP Single Fan Side Discharge
(coming soon)



8/10/12 HP Side Discharge



4/5/6 HP Dual Fan Side Discharge



outdoor



Specification

SD HP 2 fans 4-5-6HP



Model Code			38VS12117SHQSS	38VS14017SHQSS	38VS15517SHQSS
Capacity	Capacity range	HP	4.0	5.0	6.0
	Cooling	kW	12.1	14.0	15.5
	Heating	kW	14.2	16.0	18.0
Electrical Parameters	Power Supply	PH/V/Hz	1/220-240/50/60	1/220-240/50/60	1/220-240/50/60
	Power Input (Cooling)	kW	2.99	3.51	4.31
	Power Input (Heating)	kW	3.18	3.72	4.39
	EER	/	4.05	3.99	3.60
	COP	/	4.47	4.30	4.10
Performance	Air Flow (H)	m³/h	7200	7200	7200
	Sound Pressure Level (H)	dB(A)	57	58	59
	Sound Power Level (H)	dB(A)	68	69	70
Installation	External Dimensions (W x D x H)	mm	950 x 370 x 1340	950 x 370 x 1340	950 x 370 x 1340
	Shipping Dimensions (W x D x H)	mm	1023 x 471 x 1420	1023 x 471 x 1420	1023 x 471 x 1420
	Net /Shipping Weight	kg	115/123	115/123	115/123
	Compressor Type	/	Twin Rotary	Twin Rotary	Twin Rotary
	Compressor Brand	/	MITSUBISHI ELECTRIC	MITSUBISHI ELECTRIC	MITSUBISHI ELECTRIC
	Compressor Quantity	/	1.0	1.0	1.0
	Refrigerant Type	/	R410A	R410A	R410A
	Refrigerant Charge	kg	4.0	4.0	4.0
	Refrigerant Liquid Pipe	mm	9.52	9.52	9.52
	Refrigerant Gas Pipe	mm	15.88	15.88	15.88
	Total Pipe Lenth	m	300	300	300
	Max. Pipe Length (Equivalent/Actual)	m	175/150	175/150	175/150
	Max height difference between I.U. & O.U	m	50	50	50
	Max height difference between I.U. & I.U	m	15	15	15
Connection Ratio	Connectable Indoor Unit Ratio	%	50-130	50-130	50-130
	Maximum Number Of Indoor Units	/	8.0	10	13
Working Temp.	Cooling	°C	-15~48	-15~48	-15~48
	Heating	°C	-20~27	-20~27	-20~27

Model Code			38VS121173HQSS	38VS140173HQSS	38VS155173HQSS
Capacity	Capacity Range	HP	4.0	5.0	6.0
	Cooling	kW	12.1	14.0	15.5
	Heating	kW	14.2	16.0	18.0
Electrical Parameters	Power Supply	Ph/V/Hz	3/380-415/50/60	3/380-415/50/60	3/380-415/50/60
	Power Input (Cooling)	kW	2.99	3.51	4.31
	Power Input (Heating)	kW	3.18	3.72	4.39
	EER	/	4.05	3.99	3.60
	COP	/	4.47	4.30	4.10
Performance	Air Flow (H)	m³/h	7200	7200	7200
	Sound Pressure Level (H)	dB(A)	57	58	59
	Sound Power Level (H)	dB(A)	68	69	70
Installation	External Dimensions (W x D x H)	mm	950 x 370 x 1340	950 x 370 x 1340	950 x 370 x 1340
	Shipping Dimensions (W x D x H)	mm	1023 x 471 x 1420	1023 x 471 x 1420	1023 x 471 x 1420
	Net /Shipping Weight	kg	115/123	115/123	115/123
	Compressor Type	/	Twin Rotary	Twin Rotary	Twin Rotary
	Compressor Brand	/	MITSUBISHI ELECTRIC	MITSUBISHI ELECTRIC	MITSUBISHI ELECTRIC
	Compressor Quantity	/	1.0	1.0	1.0
	Refrigerant Type	/	R410A	R410A	R410A
	Refrigerant Charge	kg	4.0	4.0	4.0
	Refrigerant Liquid Pipe	mm	9.52	9.52	9.52
	Refrigerant Gas Pipe	mm	15.88	15.88	15.88
	Total Pipe Lenth	m	300	300	300
	Max. Pipe Length (Equivalent/Actual)	m	175/150	175/150	175/150
	Max Drop Between I.U. & O.U	m	50	50	50
	Max Drop Between I.U. & I.U	m	15	15	15
Connection Ratio	Connectable Indoor Unit Ratio	%	50-130	50-130	50-130
	Maximum Number Of Indoor Units	/	8.0	10	13
Working Temp.	Cooling	°C	-15~48	-15~48	-15~48
	Heating	°C	-20~27	-20~27	-20~27

*All the specifications are tested under nominal condition(In cooling, Indoor temp is 27°C DB/19°C WB; Outdoor temp 35°C DB/24°C WB; In heating, Indoor temp is 20°C DB, Outdoor temp is 7°C DB/6°C WB)



SD HP 2 fans 8-10-12HP



SD HP Single fan 4-5HP

Specification



Model code		38VS226174HQSS	38VS280174HQSS	38VS335174HQSS	
Capacity	Capacity Range	HP	8 HP	10 HP	12 HP
	Cooling	kBtu/h	77.1	95.5	114.3
		kW	22.6	28	33.5
	Heating	kBtu/h	85.3	107.5	128
kW		25	31.5	37.5	
Electrical Parameters	Power Supply	PH/V/Hz	3/380~400/50/60	3/380~400/50/60	3/380~400/50/60
	Power Input (Cooling)	kW	5.79	8.0	9.75
	Power Input (Heating)	kW	5.43	7.5	9.62
	EER/COP		3.9/4.6	3.5/4.2	3.44/3.9
Performance	Air Flow (H)	m³/h	10000	10000	10000
	Sound Pressure Level (H)	dB(A)	55	58	60
	Sound Power Level (H)	dB(A)	66	69	71
Installation	External Dimensions (W x D x H)	mm	1050 x 400 x 1636	1050 x 400 x 1636	1050 x 400 x 1636
	Shipping Dimensions (W x D x H)	mm	1150 x 510 x 1790	1150 x 510 x 1790	1150 x 510 x 1790
	Net/Shipping Weight	kg	168/183	168/183	168/183
	Compressor Type		Twin Rotary	Twin Rotary	Twin Rotary
	Compressor Brand		MITSUBISHI ELECTRIC	MITSUBISHI ELECTRIC	MITSUBISHI ELECTRIC
	Compressor Quantity		1 INV	1 INV	1 INV
	Refrigerant Type		R410A	R410A	R410A
	Refrigerant Charge	kg	6.1	6.1	6.1
	Refrigerant Liquid Pipe	mm	9.52	12.7	12.7
	Refrigerant Gas Pipe	mm	19.05	22.22	25.4
	Total Pipe Length	m	300	300	300
	Max. Pipe Length (Equivalent/Actual)	m	175/150	175/150	175/150
	Max Height Difference Between I.U. & O.U	m	50	50	50
Max Height Difference Between I.U. & I.U	m	15	15	15	
Connection Ratio	Connectable Indoor Unit Ratio	%	50~130	50~130	50~130
	Maximum Number Of Indoor Units		13	16	16
Working Temp.	Cooling	°C	-5~48	-5~48	-5~48
	Heating	°C	-20~27	-20~27	-20~27

*All the specifications are tested under nominal condition(In cooling, Indoor temp is 27°C DB/19°C WB; Outdoor temp 35°C DB/24°C WB; In heating, Indoor temp is 20°C DB, Outdoor temp is 7°C DB/6°C WB)

Model Code		38VS125C7SHQSS	38VS140C7SHQSS	
Capacity	Capacity Range	HP	4.0	5.0
	Cooling	kW	12.5	14
	Heating	kW	14	16
Electrical Parameters	Power Supply	PH/V/Hz	1/220-240/50/60	1/220-240/50/60
	Power Input (Cooling)	kW	3.56	4.0
	Power Input (Heating)	kW	3.5	3.95
	EER	/	3.51	3.5
	COP	/	4.0	4.05
Performance	Air Flow (H)	m³/h	5400	5400
	Sound Pressure Level (H)	dB(A)	55	57
	Sound Power Level (H)	dB(A)	66	68
Installation	External Dimensions (W x D x H)	mm	950 x 370 x 965	950 x 370 x 965
	Shipping Dimensions (W x DVH)	mm	1010 x 458 x 1990	1010 x 458 x 1990
	Net/Shipping Weight	kg	90/97	90/97
	Compressor Type	/	Twin Rotary	Twin Rotary
	Compressor Brand	/	MITSUBISHI ELECTRIC	MITSUBISHI ELECTRIC
	Compressor Quantity	/	1.0	1.0
	Refrigerant Type	/	R410A	R410A
	Refrigerant Charge	kg	3.0	3.0
	Refrigerant Liquid Pipe	mm	9.52	9.52
	Refrigerant Gas Pipe	mm	15.88	15.88
	Total Pipe Length	m	120	120
	Max. Pipe Length (Equivalent/Actual)	m	70	70
	Max height difference between I.U. & O.U	m	30/20	30/20
Max height difference between I.U. & I.U	m	10	10	
Connection Ratio	Connectable Indoor Unit Ratio	%	50-150	50-150
	Maximum Number Of Indoor Units	/	8.0	10
Working Temp.	Cooling	°C	-5~52	-5~52
	Heating	°C	-15~21	-15~21

*All the specifications are tested under nominal condition(In cooling, Indoor temp is 27°C DB/19°C WB; Outdoor temp 35°C DB/24°C WB; In heating, Indoor temp is 20°C DB, Outdoor temp is 7°C DB/6°C WB)



Specification

SD HP compact 3-5-7HP

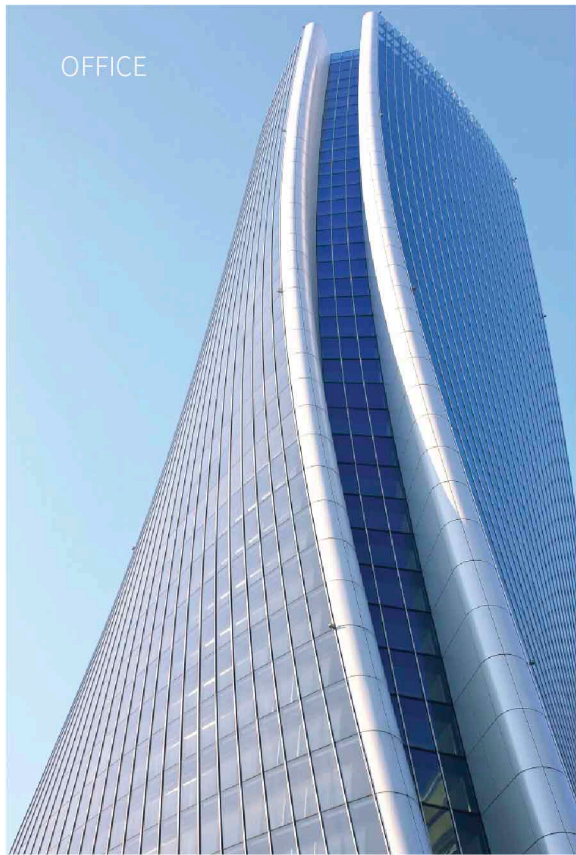


Model Code			38VS080L7SHQSS	38VS140L7SHQSS	38VS180L7SHQSS	
Capacity (HP)		HP	3 HP	5 HP	7 HP	
Nominal Cooling Capacity		kW	8.0	14.0	18.0	
Nominal Heating Capacity		kW	9.5	16	20.0	
Electric Data	Power (PH/V/Hz)		1/220-240/50/60	1/220-240/50/60	1/220-240/50/60	
	Cooling	Rated Power	kW	2.2	3.7	4.75
	Heating	Rated Power	kW	2.2	3.73	4.56
	EER		/	3.64	3.78	3.79
	COP		/	4.32	4.29	4.39
Fan	Outdoor Air Volume		m ³ /h	4500	7200	7200
Noise	Sound Pressure Level ※3		dB(A)	50	52	54
	Sound Power Level		dB(A)	61	63	65
Dimension	External Dimension: (L x W x H)		mm	920 x 372 x 756	950 x 370 x 1340	950 x 370 x 1340
	Shipping Dimension: (L x W x H)		mm	1036 x 478 x 820	1023 x 83 x 1492	1023 x 483 x 1492
Net/Shipping Weight		kg	73/80	108/123	108/123	
Compressor	Compressor Type		/	Twin Rotary	Twin Rotary	Twin Rotary
	Compressor Brand		/	MITSUBISHI ELECTRIC	MITSUBISHI ELECTRIC	MITSUBISHI ELECTRIC
	Compressor Quantity		/	1.0	1.0	1.0
Refrigerant	Refrigerant Type		/	R410A		
	Refrigerant		kg	2.1	4.0	4.0
Pipe	Gas Pipe		mm	φ15.88	φ19.05	φ19.05
	Liquid Pipe		mm	φ9.52	φ9.52	φ9.52
Connection Pipe	Total Pipe		m	120	150	150
	Farthest Pipe Length		m	70	70	70
	Height Difference Between Indoor And Outdoor: Outdoor Top/Indoor Bottom		m	30/20	30/20	30/20
	Height Difference Between Indoors		m	10	10	10
Connection Range	Connection Range		%	50%~150%		
	Maximum Number Of Indoor		/	4.0	8.0	9.0
Operation Range	Cooling		°C	-15°C~50°C		
	Heating		°C	-20°C~27°C		

※1 Indoor temperature: 27°CDB, 19°CWB/ outdoor temperature: 35°CDB, 24°CWB/equivalent pipe length: 7.5m, height difference: 0m
 ※2 Indoor temperature: 20°CDB, 14.5°CWB/ outdoor temperature: 7°CDB, 6°CWB/equivalent pipe length: 7.5m, height difference: 0m

Model Code			38VS140L74HQSS	38VS180L74HQSS	
Capacity (HP)		HP	5 HP	7 HP	
Nominal Cooling Capacity		kW	14.0	18.0	
Nominal Heating Capacity		kW	16.5	20.0	
Electric Data	Power (PH/V/Hz)		3/380-400/50/60	3/380-400/50/60	
	Cooling	Rated Power	kW	3.7	4.75
	Heating	Rated Power	kW	4.0	4.56
	EER		/	3.78	3.79
	COP		/	4.13	4.39
Fan	Outdoor Air Volume		m ³ /h	7200	7200
Noise	Sound Pressure Level ※3		dB(A)	52	54
	Sound Power Level		dB(A)	63	65
Dimension	External Dimension: (L x W x H)		mm	950 x 370 x 1340	950 x 370 x 1340
	Shipping Dimension: (L x W x H)		mm	1023 x 483 x 1492	1023 x 483 x 1492
Net/Shipping Weight		V	108/123	108/123	
Compressor	Compressor Type		/	Twin Rotary	Twin Rotary
	Compressor Brand		/	MITSUBISHI ELECTRIC	MITSUBISHI ELECTRIC
	Compressor Quantity		/	1.0	1.0
Refrigerant	Refrigerant Type		/	R410A	
	Refrigerant		kg	4.0	4.0
Pipe	Gas Pipe		mm	φ15.88	φ15.88
	Liquid Pipe		mm	φ9.52	φ9.52
Connection pipe	Total Pipe		m	150	150
	Farthest Pipe Length		m	70	70
	Height Difference Between Indoor And Outdoor: Outdoor Top/Indoor Bottom		m	30/20	30/20
	Height Difference Between Indoors		m	10	10
Connection range	Connection Range		%	/	
	Maximum Number Of Indoor		/	8.0	9.0
Operation range	Cooling		°C	/	
	Heating		°C	/	

※3 The noise value is the conversion value of the full anechoic chamber measured in the semi-anechoic chamber. It is generally higher than this noise value due to the influence of ambient noise and reflected sound.



OFFICE



OFFICE



OFFICE



OFFICE



BUILDINGS

AHU DX KITS CONNECTIONS

001 TA CONTROL

001 DDC CONTROL

CONNECTION KIT



OFFICE



BUILDINGS



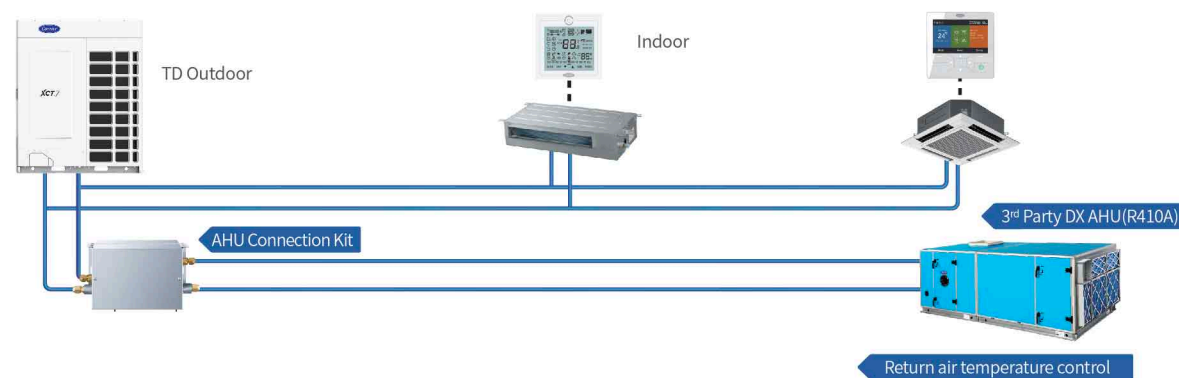
PUBLIC SPACE



AHU DX Coil kit (TA Control)

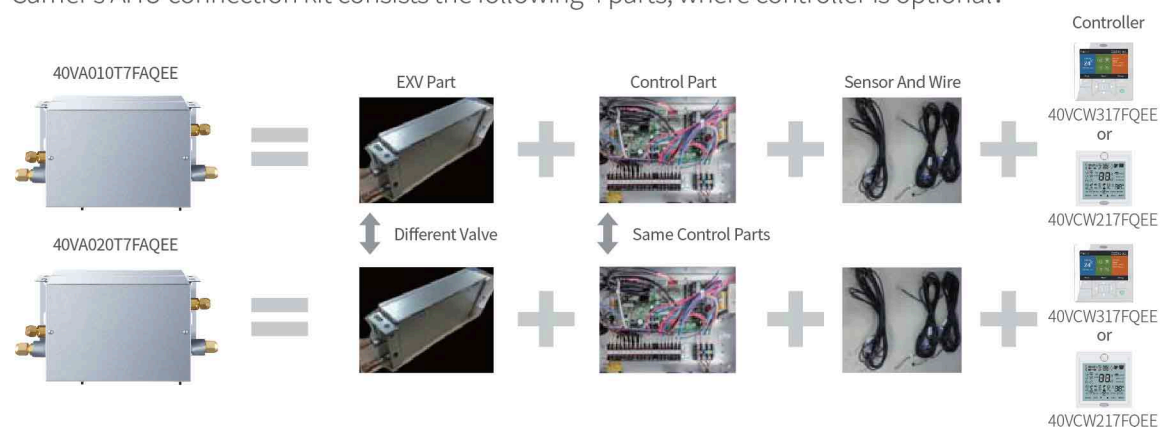
Easy Installation

- Carrier offers a range of connection kits to connect VRF outdoor units to 3rd party DX AHU (R410A)
- 2 connections are possible:
 - In both cases (50% < indoor unit MAX connection ratio < 100%), if AHU used alone, there is no restriction.
 - Compatible to XCT 7 HP TD & XCT 7 SD (8/10/12HP)
 - XCT 7 TD HP up to 60HP (3 kits)
 - Compatible with all XCT 7 VRF control solutions



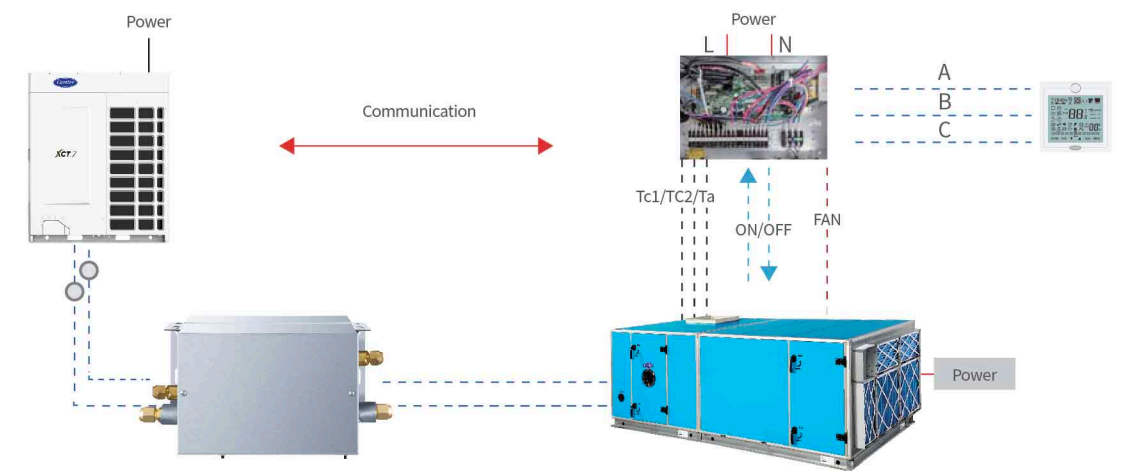
AHU Kit Configuration

Carrier's AHU connection kit consists the following 4 parts, where controller is optional:

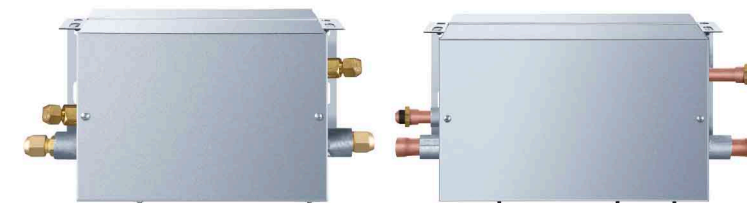


AHU Connection Kit Control

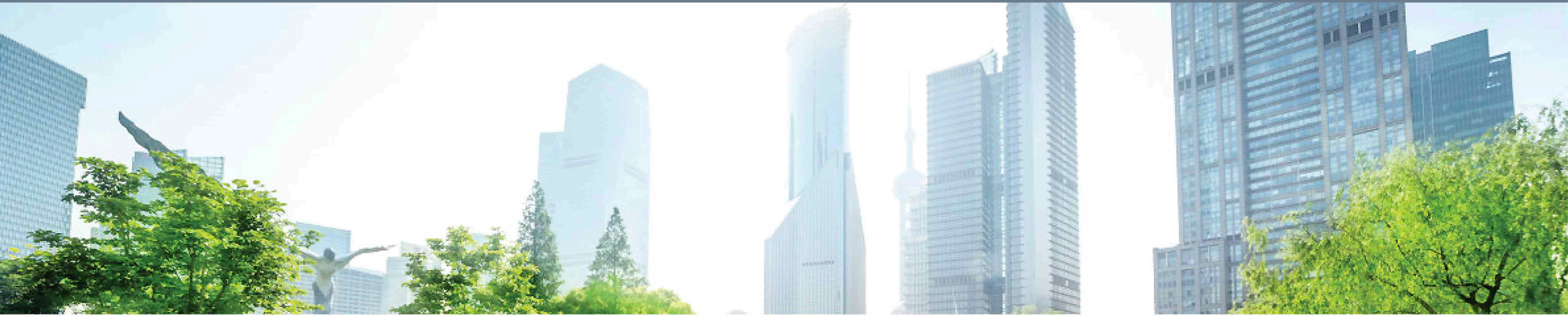
System Controller



Specification



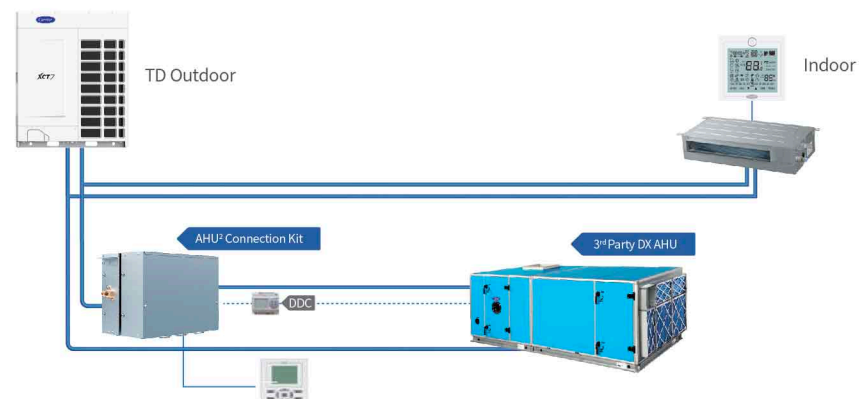
Model	40VA010T7FAQEE	40VA020T7FAQEE
Connected Ahu Capacity	14 ≤ x ≤ 28 kW (5-10 HP)	28 < x ≤ 56kW (10-20 HP)
Power Supply (Ph/V/Hz)	1/220~240/50/60	1/220~240/50/60
Dimensions (mm)(L x H x W)	(350 x 226 x 155)	(433 x 296 x 193)
Shipping Dimensions (mm)(L x H x W)	(606 x 295 x 209)	(667 x 365 x 249)
Material	Galvanized steel	Galvanized steel
Weight (kg)	6	8
Shipping Weight (kg)	10	13
Liquid Pipe (mm)	9.52 (Main) / 12.7	12.7 (Main) / 15.88
Gas Pipe (mm)	25.4 (Main) / 22.2 / 19.05	28.58 (Main) / 25.4 / 22.22
Pipe Connection Method	Flare connection and welding	Flare connection and welding
Ahu Kit - Ahu Coil Max Single Pipe Length (m)	5	5
AHU Kit - AHU Coil Max Height Difference (m)	5	5



AHU DX Kit (DDC Control)

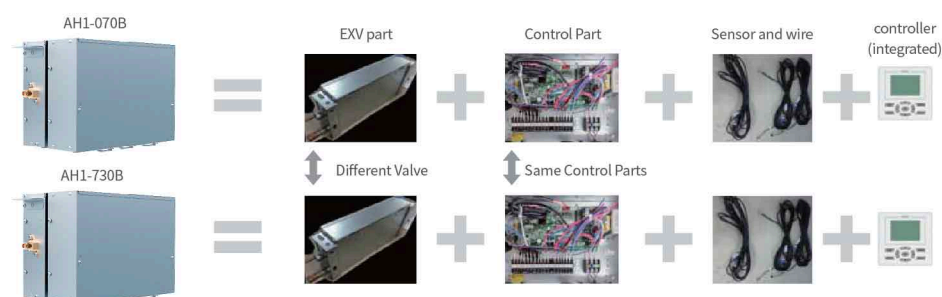
System Introduction

- Carrier offers a range of connection kits to connect XCT 7 outdoor units to 3rd party DX air handling units, with DDC or TA control configuration
- DDC -Non mixing connection:AHU capacity connection ratio from 90% to 100%
- TA- When VRF IDU & AHU, total connection ratio shall be 50% to 110% of which VRF IDU shall be more than 50%



AHU Kit Configuration

Carrier 2nd generation AHU kit also contains the following 4 parts:



Control Solutions

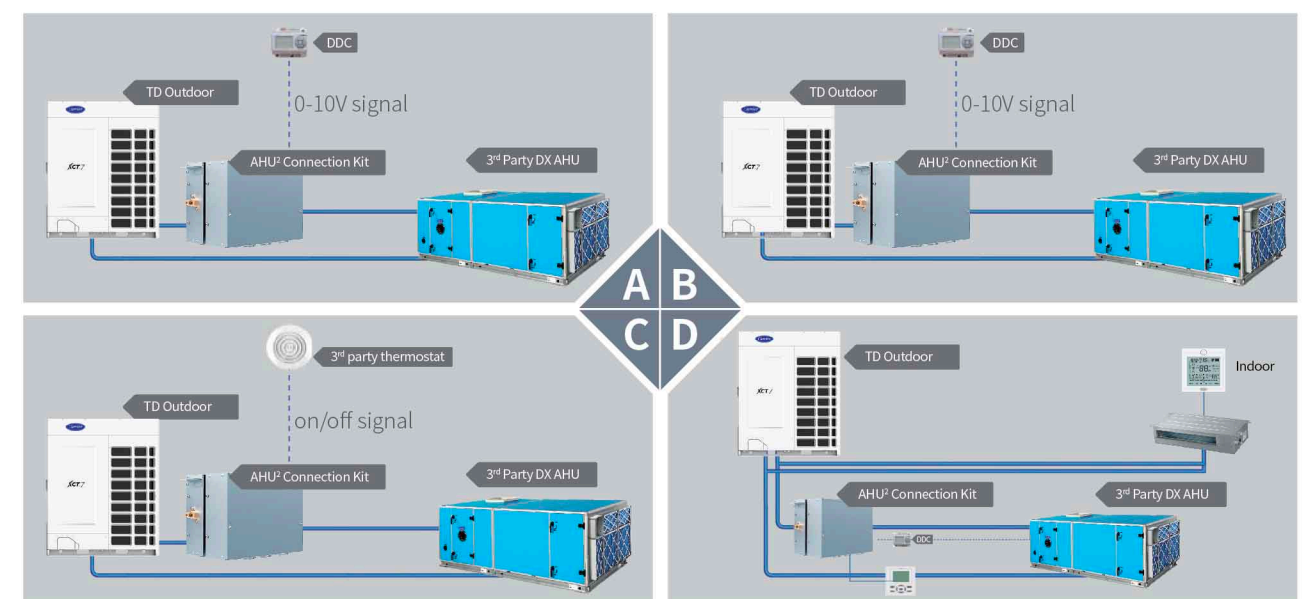
Four control methods can be used, which can be switched by dip switch based on the site scenario

Control solution for application with the 3rd party air handling units with DDC controller

- Supply air temperature or return air temperature controllable
- Control AHU by temperature sensors and 0-10 V signal of DDC controller which is supplied locally
- Similar to B control solution, the difference is unproportional 0-10V algorithm for ODU capacity control

Control solution: For application with the 3rd party air handling units with DDC controller

- Supply air temperature or return air temperature controllable
- Control AHU by temperature sensors and 0-10V signal of DDC controller which are supplied locally
- Similar to A control solution, more accurate temperature control than A



Control Solution For Application With 3rd Party Thermostat Instead Of DDC

- No additional DDC controller required
- Simple and cheap
- Indirect room temperature control

Control Solution For System Integrating 3rd Part Ahu With Other VRF

- Control the AHU as a VRF indoor units



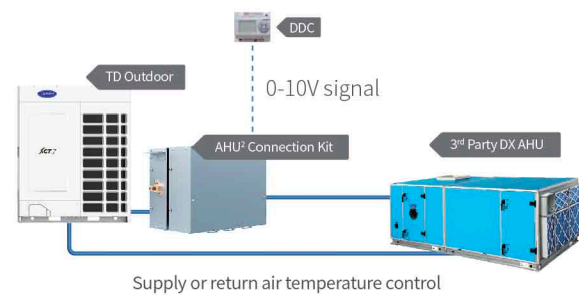
AHU Kit

UNIT STRUCTURE

Features

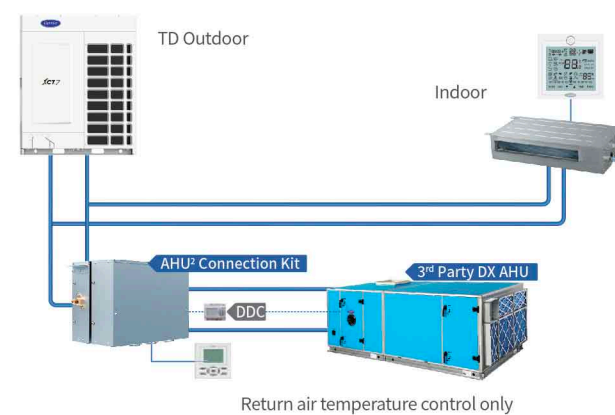
- Extend the AHU connected capacity per kit, ranging from 3.5 kW to 73kW, which can meet small, medium and large buildings demands
- Add the 0-10V signal control, for DDC configuration
- Supply air temperature or return air temperature controllable
- Remove the gas pipe, more convenient for installation
- Save space through compact design
- Compatible with XCT 7 Heat pump TD up to 104 HP (4 kits) & XCT 7 SD 4~12 HP (2 fan chassis)

DDC or TA control
40VA_D7FAQEE



VS

TA control only
40VA_T7FAQEE



Specification



40VA003D7FAQEE
40VA005D7FAQEE
40VA010D7FAQEE



40VA020D7FAQEE
40VA026D7FAQEE

Model	40VA003D7FAQEE	40VA005D7FAQEE	40VA010D7FAQEE	40VA020D7FAQEE	40VA026D7FAQEE
Connected AHU Capacity	3.5 ≤ x ≤ 7 kW (1-3HP)	7 < x ≤ 14 kW (3-5HP)	14 ≤ x ≤ 28 kW (5-10HP)	28 < x ≤ 56 kW (10-20HP)	56 < x ≤ 73 kW (20-26HP)
Power Supply (Ph/V/Hz)	1/220~230/50/60	1/220~230/50/60	1/220~230/50/60	1/220~230/50/60	1/220~230/50/60
Dimension(mm)(L x H x W)	(420 x 260 x 165)	(420 x 260 x 165)	(420 x 260 x 165)	(420 x 260 x 215)	(420 x 260 x 215)
Shipping Dimensions (mm)(L x H x W)	(520 x 340 x 225)	(520 x 340 x 225)	(520 x 340 x 225)	(520 x 340 x 275)	(520 x 340 x 275)
Material	Galvanized Steel	Galvanized Steel	Galvanized Steel	Galvanized Steel	Galvanized Steel
Color	Grey	Grey	Grey	Grey	Grey
Weight (KG)	6	6	6	9	9
Shipping Weight (KG)	8	8	8	12	12
Liquid Pipe (mm)	9.52	9.52	9.52 (Main) / 12.7	12.7 (Main) / 15.88	15.88
AHU Kit – Indoor Units Max Single Pipe Length (m)	5	5	5	5	5
AHU Kit – Indoor units Max Drop (m)	5	5	5	5	5



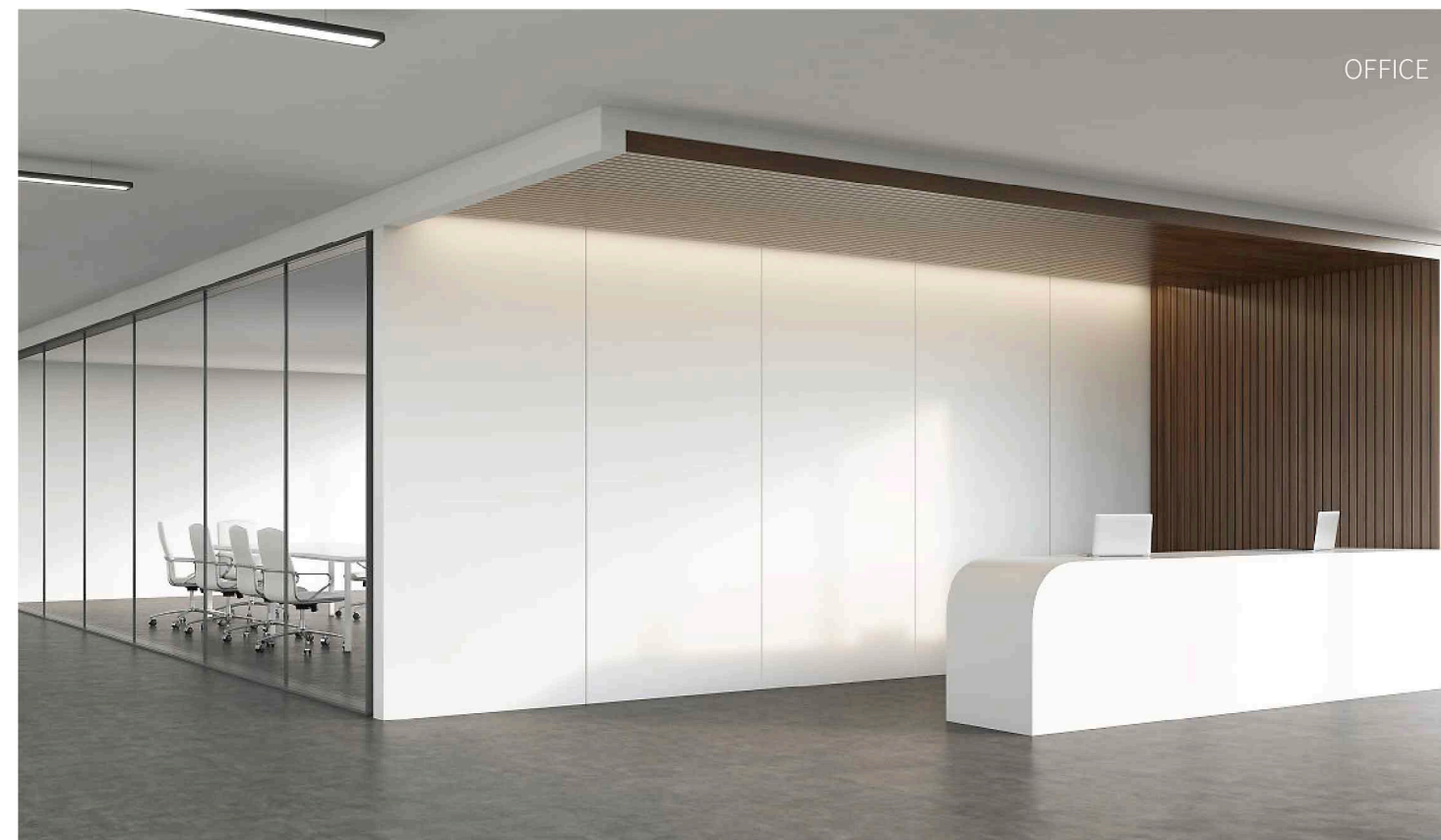
OFFICE



HOTEL



AIRPORT



OFFICE



VILLA

INDOOR UNITS

075	ONE-WAY CASSETTE	107	HIGH STATIC DUCT(100/196PA)
079	TWO-WAY CASSETTE	111	HIGH STATIC DUCT(0/200PA)
083	COMPACT FOUR-WAY CASSETTE	117	HIGH WALL
087	FOUR-WAY CASSETTE	121	TWO-WAY CONSOLE
091	ROUND-WAY CASSETTE	125	CONSOLE—RECESSED
095	SLIM DUCT	129	FLEX CEILING FLOOR (DC MOTOR)
099	STANDARD STATIC DUCT (50/100PA)	133	FLEX CEILING FLOOR (AC MOTOR)
103	MEDIUM STATIC DUCT (80/120PA)	139	OUTSIDE AIR UNIT
		143	HRV



OFFICES



HOTEL



PUBLIC SPACES



VILLA



Benefits Glance Over

Features	CASSETTE					DUCT	
	ONE-WAY CASSETTE 40VU1	TWO-WAY CASSETTE 40VU2	COMPACT FOUR-WAY CASSETTE 40VUC	FOUR-WAY CASSETTE 40VUC&S	ROUND-WAY CASSETTE 40VUR	SLIM DUCT 40VDL	STANDARD STATIC DUCT (50/100 PA) 40VDS*G
Washable filter included: •Ensures clean air •Extends the life of the fan	●	●	●	●	●	●	●
Independent control of the air flow directions: •Flexible control for different needs •Ensures comfortable environment					●		
Multi-gear air speed selection: •Meet different requirements of installation & usage	●	●	●	●	●	●	●
Presence sensor (optional): •Automatically switches on & off when people come in & out •new bullet point					● (Optional)		
Brushless DC motor: •Operation noise reduced	●		●		●	●	
•Streamlined design •Easily fits in with different interior designs	●	●			●		
•Ultra-thin & compact design •Save ceiling space	●	●	●		●	●	●
•Optional location of air return (front air return & back air return) •Friendly Installation						●	●
Easy disassembly of the maintenance panel	●	●			●		
•Adjustable static pressure •Flexible selection according to the actual installation						●	●
•Standard drain pump •Drain water discharged easily	●	●	●	●	●	●	●
Fresh air vent reserved			●	●	●		●
Centralized control compatible	●	●	●	●	●	●	●
Room card	●	●	●	●	●	●	●
Cleaning reminder of the filter screen	●	●	●	●	●	●	●

DUCT				WALL MOUNTED UNIT	FLOOR STANDING UNITS		CEILING FLOOR		VENTILATION	
MESP DUCT DC FAN 40VDS*S	MEDIUM STATIC DUCT (80/120 PA) 40VDR	HIGH STATIC DUCT (100/196 PA) 40VDH*G	HIGH STATIC DUCT 40VDH*S	HIGH WALL 40VKS	TWO-WAY CONSOLE 40VLB	CONSOLE — RECESSED 40VLR	FLEX CEILING FLOOR AC FAN 40VCF*G	FLEX CEILING FLOOR DC FAN 40VCF*S	OUTSIDE AIR UNIT 40VDA	HRV 40VH
●	●	●	●	●	●	●	●	●	●	●
				●			●	●		
●	●	●	●	●	●	●	●	●	●	●
●			●	●	●					
				●	●		●	●		
●										
●	●		●							
●	●	●	●	●	●	●	●	●	●	●
●	●	●	●	●	●	●	●	●	●	●
●	●	●	●	●	●	●	●	●	●	●

● Coming soon



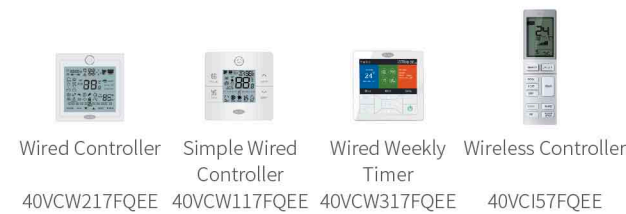
indoor

ONE-WAY CASSETTE (DC MOTOR)



- ↕ Slim & elegant design only 185mm height
- 🔊 DC powered fan with industry-leading noise levels down to 25dB (A)
- 🔧 Service port saved by return air panel to conveniently maintain the unit
- 🚰 Built-in drain pump
- 🌀 Unique ceiling anti-fouling design

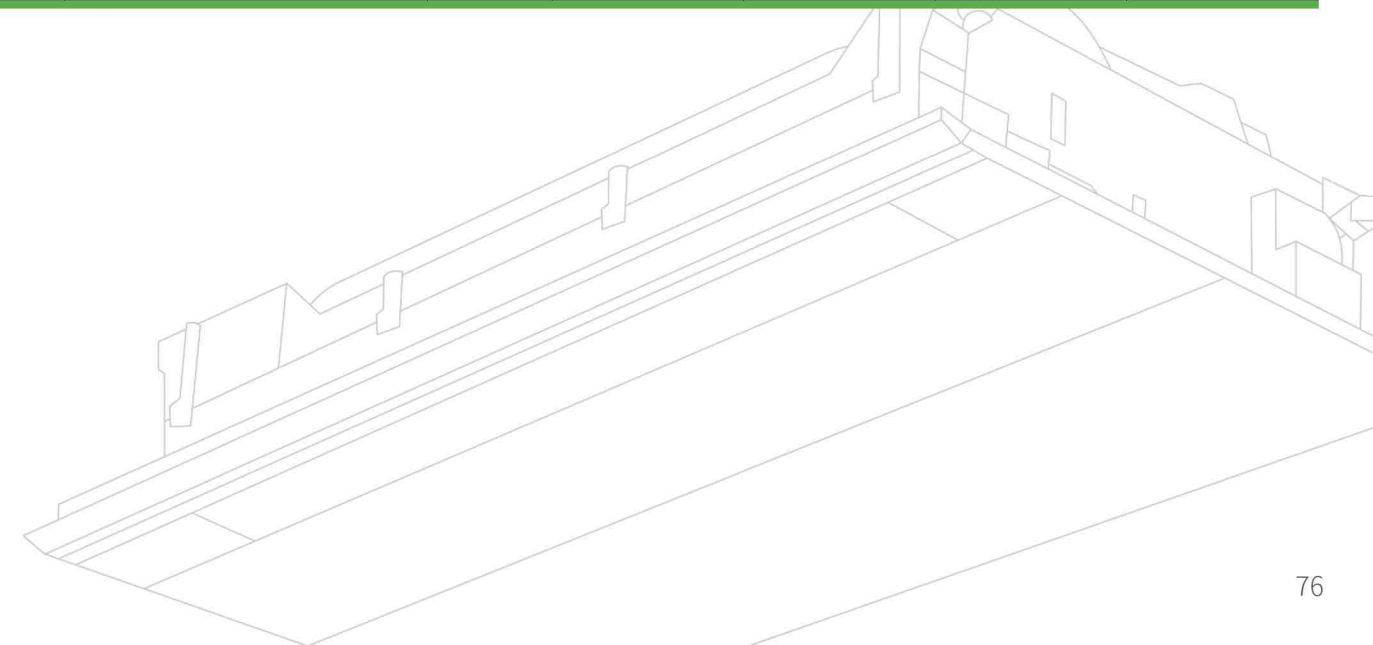
Optional Panel: 40VPU01217EQEE



Specification



Model Code	Item	Unit	40VU0051-7E-QEE	40VU0071-7E-QEE	40VU0091-7E-QEE	40VU0121-7E-QEE
Capacity	Cooling	kBtu/h	5.1	7.5	9.6	12.3
		kW	1.5	2.2	2.8	3.6
	Heating	kBtu/h	5.8	8.5	10.9	13.6
		kW	1.7	2.5	3.2	4.0
Electrical Parameters	Power Supply	Ph/V/Hz	1/220-230/50/60	1/220-230/50/60	1/220-230/50/60	1/220-230/50/60
Performance	Air Flow (H/m/l)	m ³ /h	530/490/450	530/490/450	530/490/450	550/530/490
	Sound Pressure Level (H/m/l)	dB(A)	32/29/24	32/29/24	32/29/24	34/30/25
	Sound Power Level (H/m/l)	dB(A)	46/43/38	46/43/38	46/43/38	48/44/39
Installation	External Dimensions(W x D x H)	mm	875 x 505 x 185	875 x 505 x 185	875 x 505 x 185	875 x 505 x 185
	Shipping Dimensions(W x D x H)	mm	1028 x 581 x 270	1028 x 581 x 270	1028 x 581 x 270	1028 x 581 x 270
	Net/Shipping Weight	kg	15.3/17.9	15.3/17.9	15.3/17.9	15.3/17.9
	Refrigerant Liquid Pipe	mm	6.35	6.35	6.35	6.35
	Refrigerant Gas Pipe	mm	9.52	9.52	9.52	12.7
Panel	Model Code		40VPU01217EQEE	40VPU01217EQEE	40VPU01217EQEE	40VPU01217EQEE
	External Dimensions(W x D x H)	mm	1050 x 560 x 122	1050 x 560 x 122	1050 x 560 x 122	1050 x 560 x 122
	Shipping Dimensions(W x D x H)	mm	1133 x 623 x 197	1133 x 623 x 197	1133 x 623 x 197	1133 x 623 x 197
	Net/shipping Weight	kg	5.3/8.3	5.3/8.3	5.3/8.3	5.3/8.3

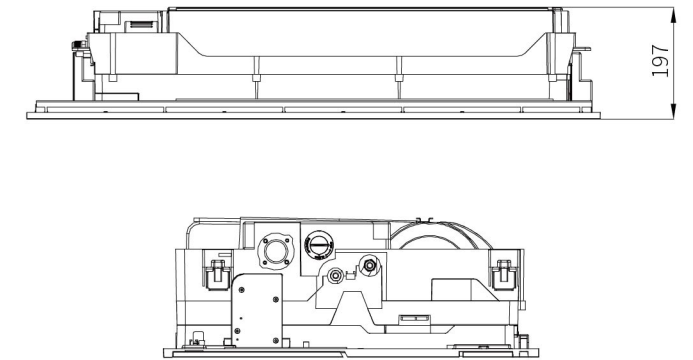




ONE-WAY CASSETTE (DC MOTOR)

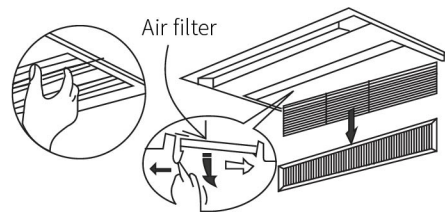


Dimensions



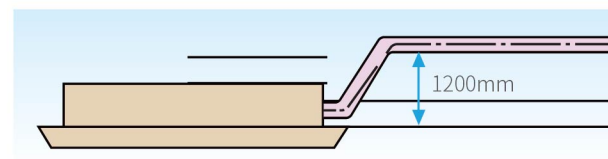
Easy Service & Maintenance

- Easy removal of air filters for cleaning
- Easy access to indoor unit components



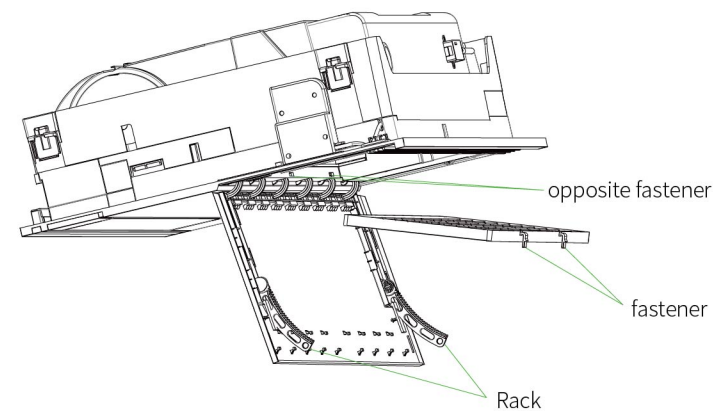
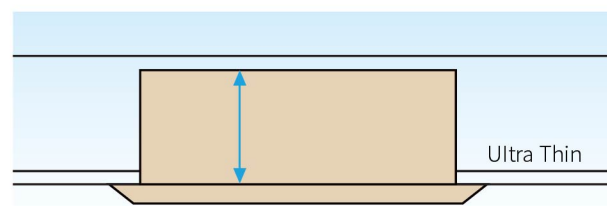
Standard Built-in Drain Pump

Standard built-in drain pump with 1200 mm pumphead and slim body makes the installation free from limitation of story height.

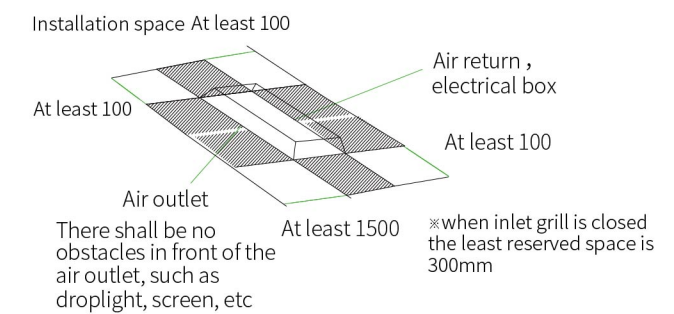
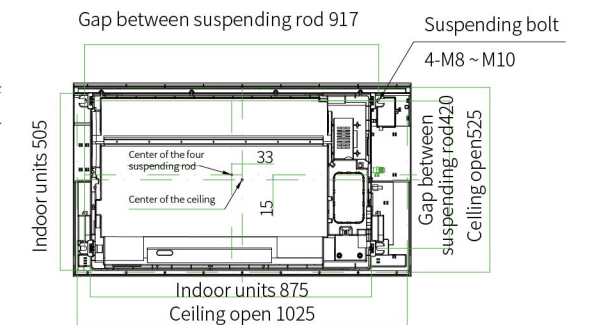
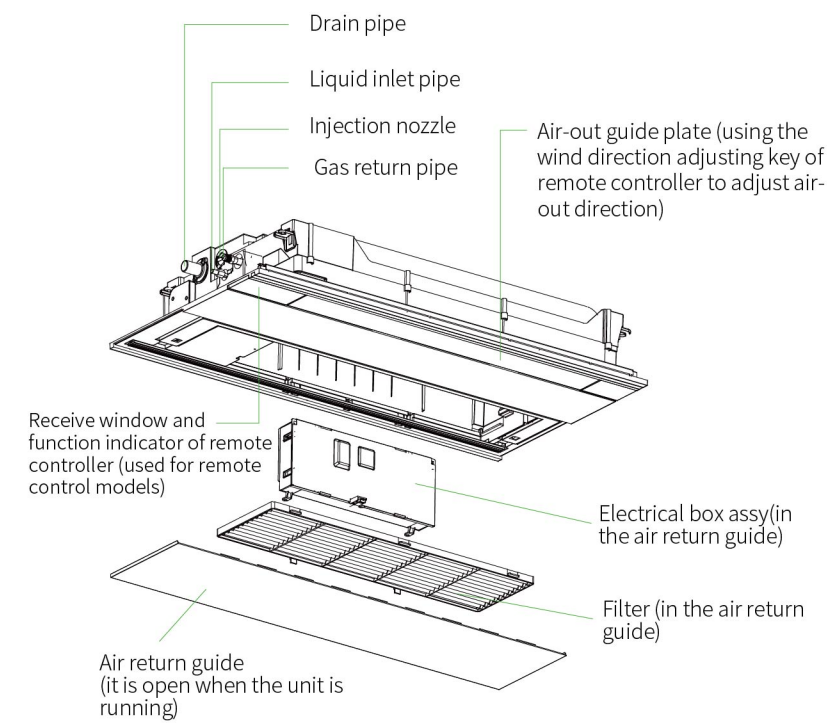


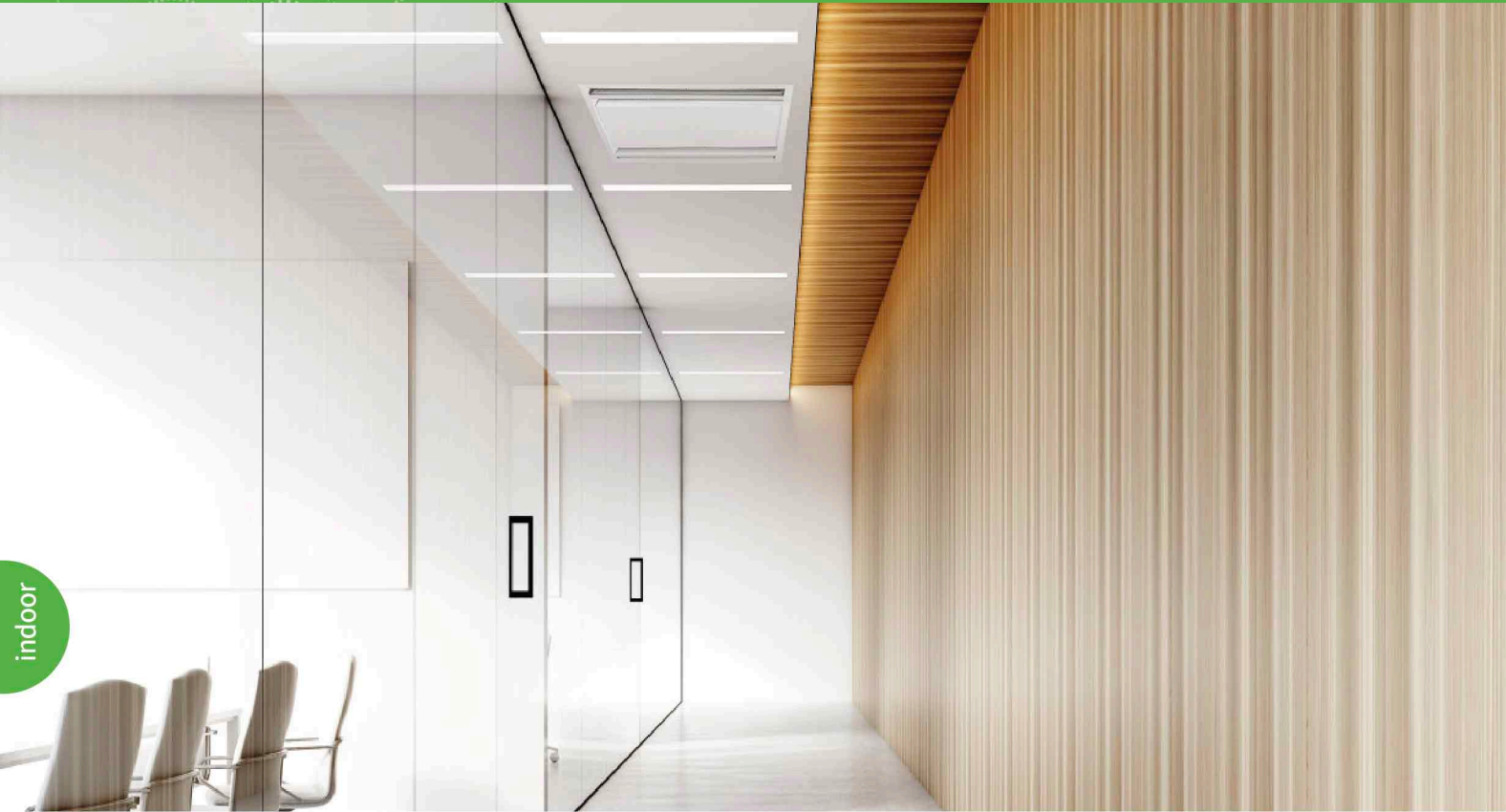
Height 185 mm Only

Compact design, slim body with a min. height of 185 mm only, especially suitable for spaces with a narrow ceiling, such as lobbies, small-size meeting room, mansions, restaurant, etc.



Installation & Service





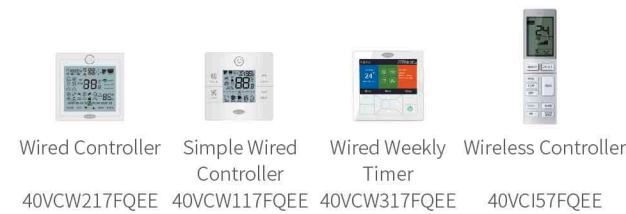
indoor

TWO-WAY CASSETTE (AC MOTOR)

- ↕ Compact design: only 220 mm in height
- ⊞ Built-in drain pump
- ⊞ Unique ceiling anti-fouling design
- ⊞ Dual air supply to distribute air in two directions with quiet operation



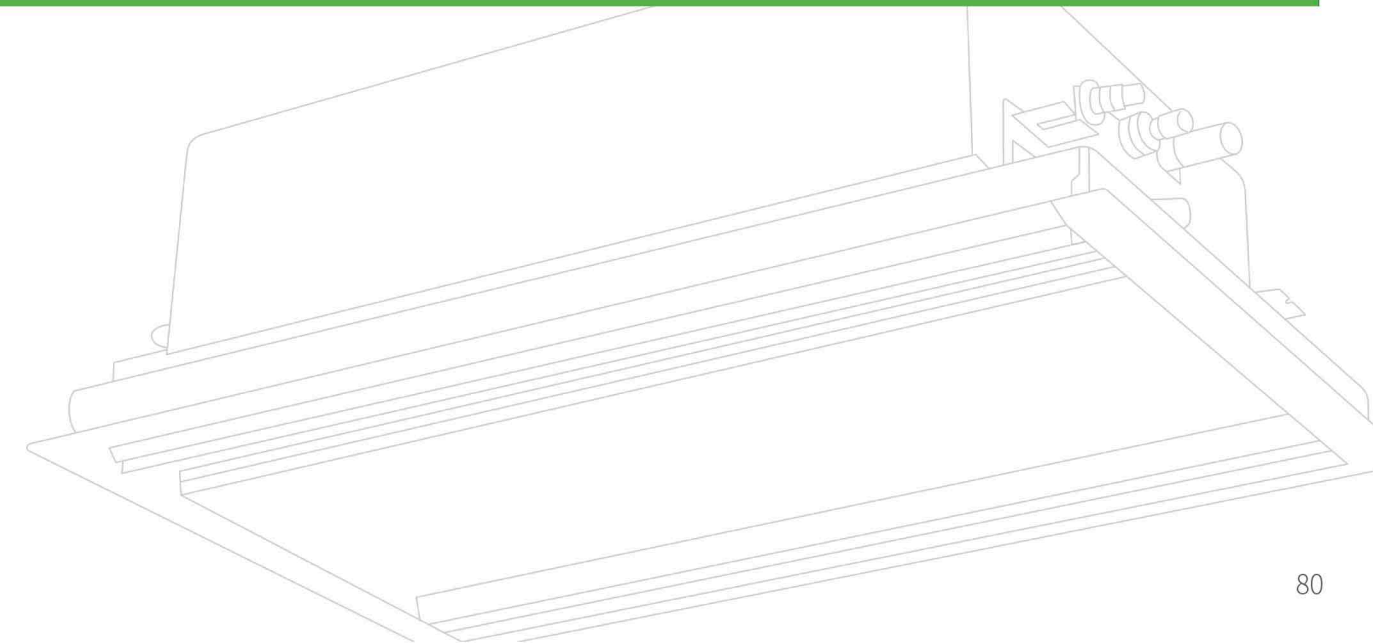
Optional Panel: 40VPU01827GQEE



Specification



Model Code	Item	Unit	40VU0072-7G-QEE	40VU0092-7G-QEE	40VU0122-7G-QEE	40VU0162-7G-QEE	40VU0182-7G-QEE
Capacity	Cooling	kBtu/h	7.5	9.6	12.3	15.4	19.1
		kW	2.2	2.8	3.6	4.5	5.6
	Heating	kBtu/h	8.5	10.9	13.6	17.1	21.5
		kW	2.5	3.2	4.0	5.0	6.3
Electrical Parameters	Power Supply	Ph/V/Hz	1/220-230/50/60	1/220-230/50/60	1/220-230/50/60	1/220-230/50/60	1/220-230/50/60
Performance	Air Flow (H/m/l)	m ³ /h	840/700/550	840/700/550	840/700/550	840/700/550	840/700/550
	Sound Pressure Level (H/m/l)	dB(A)	42/37/33	42/37/33	42/37/33	44/39/34	44/39/34
	Sound Power Level (H/m/l)	dB(A)	55/50/46	55/50/46	55/50/46	57/52/47	57/52/47
Installation	External Dimensions(W x D x H)	mm	817 x 620 x 220	817 x 620 x 220	817 x 620 x 220	817 x 620 x 220	817 x 620 x 220
	Shipping Dimensions(W x D x H)	mm	1015 x 695 x 260	1015 x 695 x 260	1015 x 695 x 260	1015 x 695 x 260	1015 x 695 x 260
	Net/Shipping Weight	kg	21/23	21/23	21/23	21/23	21/23
	Refrigerant Liquid Pipe	mm	6.35	6.35	6.35	6.35	6.35
	Refrigerant Gas Pipe	mm	9.52	9.52	12.7	12.7	12.7
Panel (optional)	Model Name		40VPU01827GQEE	40VPU01827GQEE	40VPU01827GQEE	40VPU01827GQEE	40VPU01827GQEE
	External Dimensions(W x D x H)	mm	1055 x 680 x 68	1055 x 680 x 68	1055 x 680 x 68	1055 x 680 x 68	1055 x 680 x 68
	Shipping Dimensions(W x D x H)	mm	1110 x 720 x 160	1110 x 720 x 160	1110 x 720 x 160	1110 x 720 x 160	1110 x 720 x 160
	Net/shipping Weight	kg	7/8	7/8	7/8	7/8	7/8





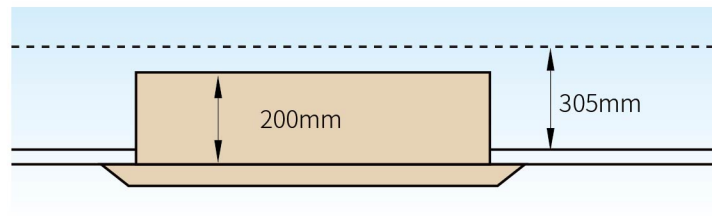
TWO-WAY CASSETTE (AC MOTOR)



indoor

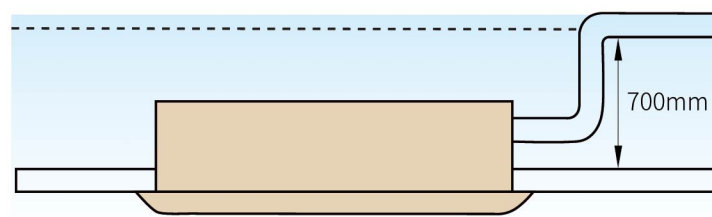
Stylish Design & Slim Body

Thanks to the stylish appearance and slim body, the unit can be harmonious with the room decoration. The sleek body, just 200 mm in height, needs only a small ceiling space to be suspended. Installation is free of story height limitations which makes design and decoration much more flexible.

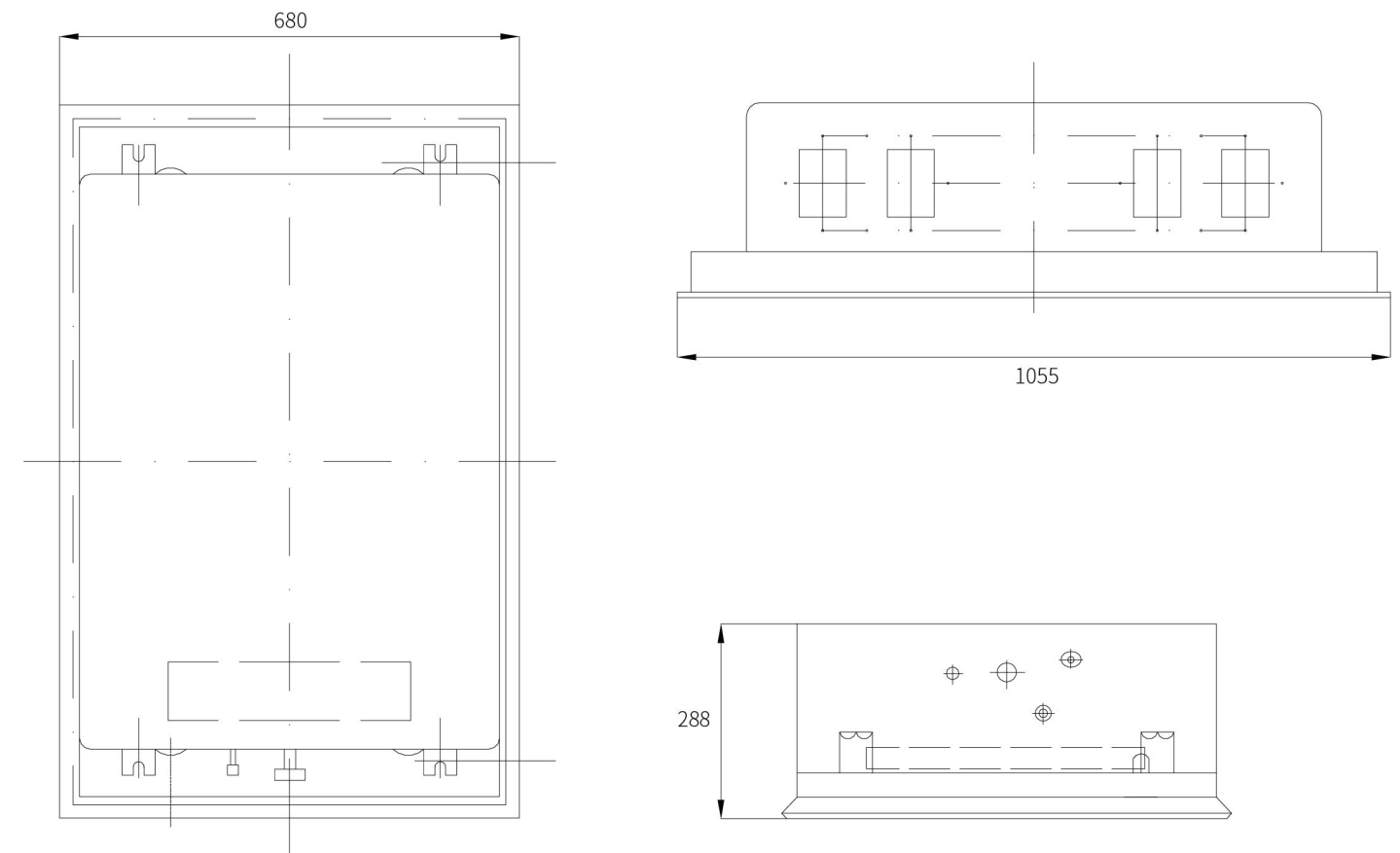


Standard Built-in Drain Pump

Standard built-in drain pump with 700 mm pump head. Flat-type suction grille design makes maintenance work very easy.



Dimensions



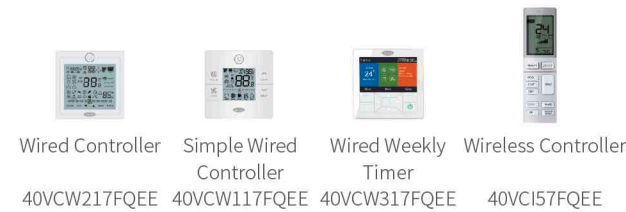


indoor

COMPACT FOUR-WAY CASSETTE (DC MOTOR)



Optional Panel: 40VPU018C7SQEE



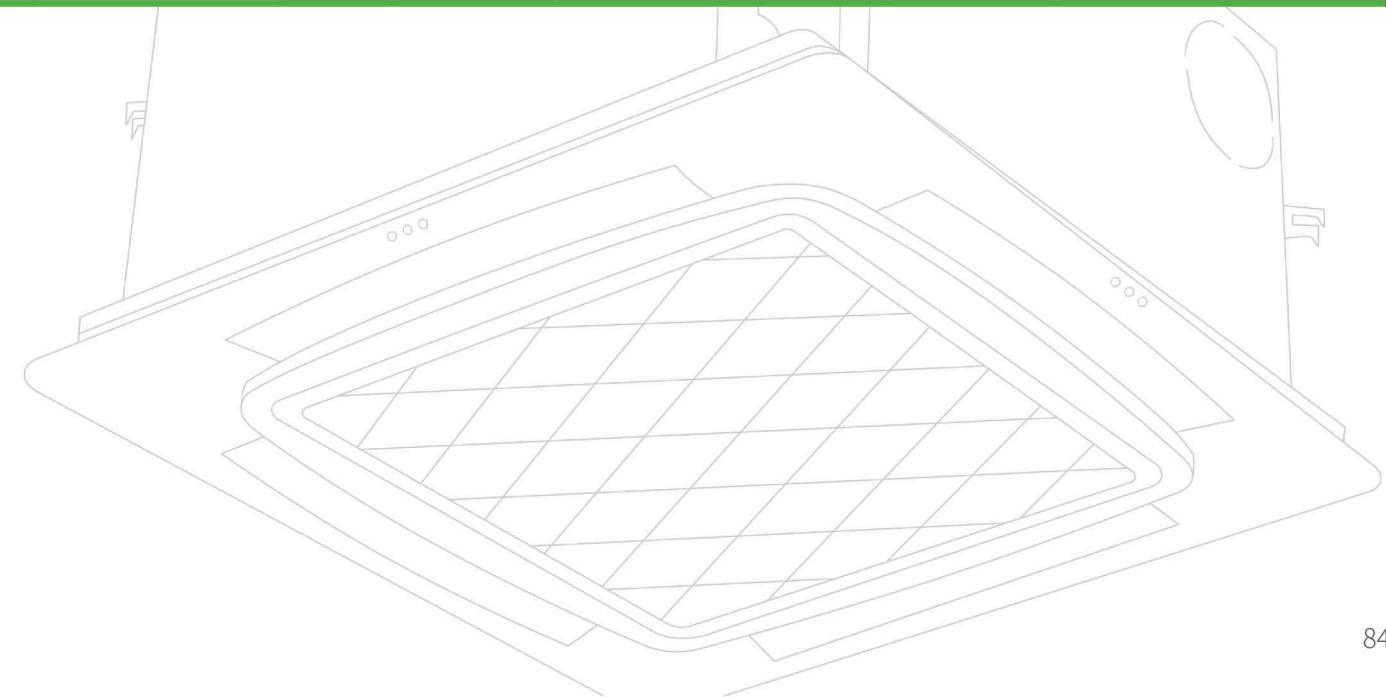
Wired Controller 40VCW217FQEE Simple Wired Controller 40VCW117FQEE Wired Weekly Timer 40VCW317FQEE Wireless Controller 40VCI57FQEE

- ✚ Compact design: installation restrictions reduced to enable high flexibility
- 📏 Ideal for standard ceiling tiles and small rooms: 570*570 mm body size and 620*620 mm panel size
- 🚰 Built-in drain pump
- 🌀 Independent control of four way air flow
- 🔊 Low sound level, high efficiency and comfort
- 🚪 Knockout hole for outside air

Specification



Model Code	Item	Unit	40VU005C-7S-QEE	40VU007C-7S-QEE	40VU009C-7S-QEE	40VU012C-7S-QEE	40VU016C-7S-QEE	40VU018C-7S-QEE
Capacity	Cooling	kBtu/h	5.1	7.5	9.5	12.3	15.3	19.1
		kW	1.5	2.2	2.8	3.6	4.5	5.6
	Heating	kBtu/h	5.8	8.5	10.9	13.6	17.1	21.5
		kW	1.7	2.5	3.2	4.0	5.0	6.3
Electrical Parameters	Power Supply	Ph/V/Hz	1/220-240/50/60	1/220-240/50/60	1/220-240/50/60	1/220-240/50/60	1/220-240/50/60	1/220-240/50/60
Performance	Air Flow (H/m/l)	m ³ /h	520/450/400	520/450/400	520/450/400	520/450/400	650/520/450	760/650/520
	Sound Pressure Level (H/m/l)	dB(A)	32/30/29	32/30/29	32/30/29	33/30/29	33/30/29	34/32/30
	Sound Power Level (H/m/l)	dB(A)	46/44/43	46/44/43	46/44/43	47/44/43	47/44/43	48/46/44
Installation	External Dimensions(W x D x H)	mm	570 x 570 x 260	570 x 570 x 260	570 x 570 x 260	570 x 570 x 260	570 x 570 x 260	570 x 570 x 260
	Shipping dimensions(W x D x H)	mm	718 x 680 x 380	718 x 680 x 380	718 x 680 x 380	718 x 680 x 380	718 x 680 x 380	718 x 680 x 380
	Net/Shipping Weight	kg	16/19	16/19	16/19	19/22	19/22	19/22
	Refrigerant Liquid Pipe	mm	6.35	6.35	6.35	6.35	6.35	6.35
	Refrigerant Gas Pipe	mm	9.52	9.52	9.52	12.7	12.7	12.7
Panel (optional)	Model Name		40VPU018C7SQEE	40VPU018C7SQEE	40VPU018C7SQEE	40VPU018C7SQEE	40VPU018C7SQEE	40VPU018C7SQEE
	External Dimensions(W x D x H)	mm	620 x 620 x 60	620 x 620 x 60	620 x 620 x 60	620 x 620 x 60	620 x 620 x 60	620 x 620 x 60
	Shipping Dimensions(W x D x H)	mm	660 x 660 x 115	660 x 660 x 115	660 x 660 x 115	660 x 660 x 115	660 x 660 x 115	660 x 660 x 115
Net Weight/shipping Weight			40VU005C-7S-QEE	40VU007C-7S-QEE	40VU009C-7S-QEE	40VU012C-7S-QEE	40VU016C-7S-QEE	40VU018C-7S-QEE
	kg		2.8/4.5	2.8/4.5	2.8/4.5	2.8/4.5	2.8/4.5	2.8/4.5



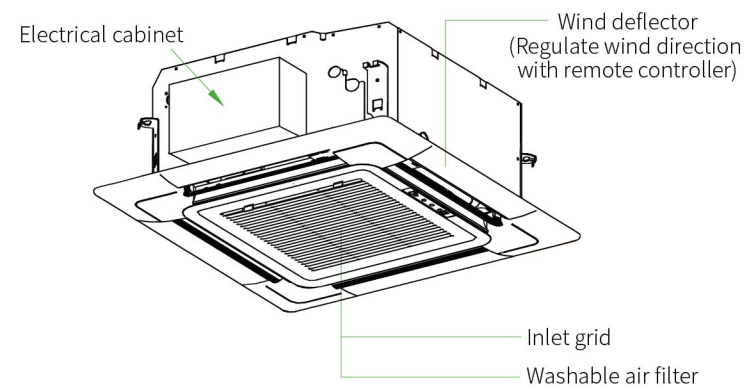
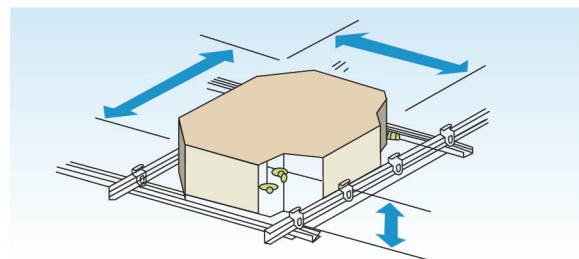


COMPACT FOUR-WAY CASSETTE (DC MOTOR)



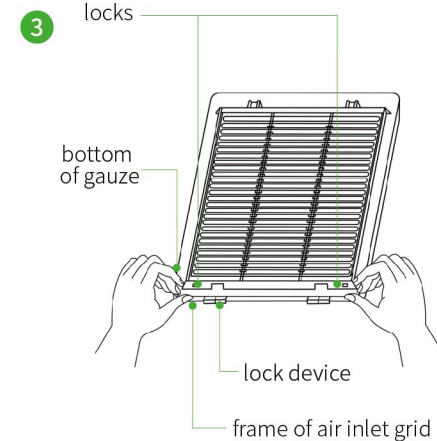
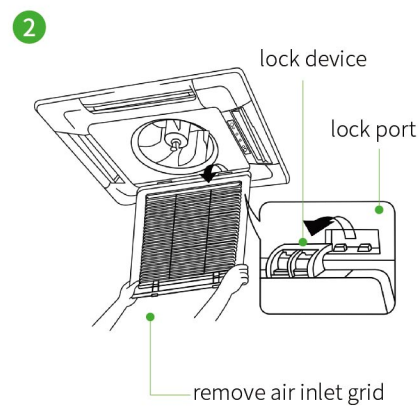
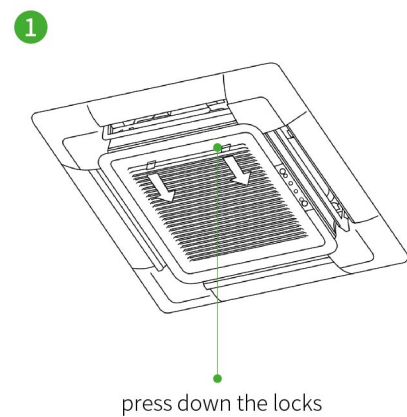
Compact Design, Easy Installation, Service & Maintenance

Extremely compact casing (570 mm in width and 260 mm in depth) makes it match perfectly with the ambient decoration. Little space is required for installation into a shallow ceiling. Due to its compact body and light weight, all models can be installed without a hoist.



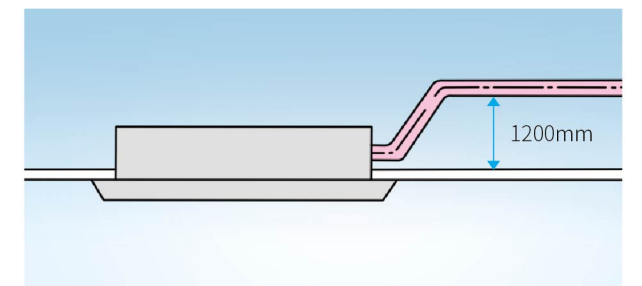
Easy Service & Maintenance

- Easy removal of air filters for cleaning
- Easy access to indoor unit components

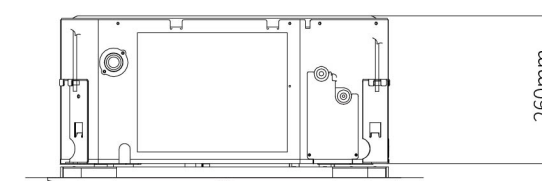
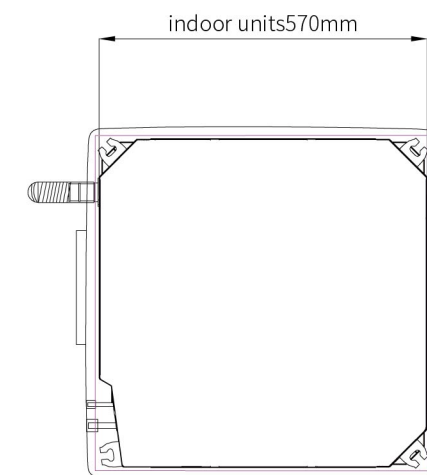
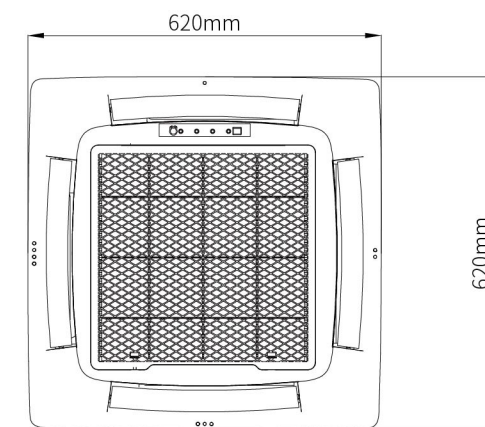


Standard Built-in Drain Pump

Drain pump with 1200 mm pump head as the standard fitting, max. up to 600 mm pump head.



Dimensions





indoor

FOUR-WAY CASSETTE (AC MOTOR)

- Hanging installation and compact design to save space
- Knockout hole for outside fresh air
- Built in drain pump



Optional Panel: 40VPU016C7GQEE/40VPU048S7GQEE



Specification

Model Code	Item	Unit	40MU05C-7G-QEE	40MU07C-7G-QEE	40MU09C-7G-QEE	40MU012C-7G-QEE	40MU016C-7G-QEE	40MU018S-7G-QEE
Capacity	Cooling	kBtu/h	5.1	7.5	9.5	12.3	15.3	19.1
		kW	1.5	2.2	2.8	3.6	4.5	5.6
	Heating	kBtu/h	5.8	8.5	10.9	13.6	17.1	21.5
		kW	1.7	2.5	3.2	4.0	5.0	6.3
Electrical Parameters	Power Supply	Ph/V/Hz	1/220-230/50/60	1/220-230/50/60	1/220-230/50/60	1/220-230/50/60	1/220-230/50/60	1/220-230/50/60
Performance	Air Flow (H/m/l)	m ³ /h	650/540/430	700/590/480	700/590/480	700/590/480	700/590/480	1000/810/620
	Sound Pressure Level (H/m/l)	dB(A)	31/29/28	32/30/29	32/30/29	32/30/29	33/30/29	33/30/29
	Sound Power Level (H/m/l)	dB(A)	45/43/42	46/44/43	46/44/43	46/44/43	47/44/43	47/44/43
Installation	External Dimensions(W x D x H)	mm	570 x 570 x 260	570 x 570 x 260	570 x 570 x 260	570 x 570 x 260	570 x 570 x 260	840 x 840 x 183
	Shipping Dimensions(W x D x H)	mm	718 x 680 x 380	718 x 680 x 380	718 x 680 x 380	718 x 680 x 380	718 x 680 x 380	983 x 983 x 268
	Net/Shipping Weight	kg	16/19	16/19	16/19	19/22	19/22	25/28
	Refrigerant Liquid Pipe	mm	6.35	6.35	6.35	6.35	6.35	6.35
	Refrigerant Gas Pipe	mm	9.52	9.52	9.52	12.7	12.7	12.7
Panel (optional)	Model Name		40VPU016C7GQEE	40VPU016C7GQEE	40VPU016C7GQEE	40VPU016C7GQEE	40VPU016C7GQEE	40VPU048S7GQEE
	External Dimensions(W x D x H)	mm	700 x 700 x 60	700 x 700 x 60	700 x 700 x 60	700 x 700 x 60	700 x 700 x 60	950 x 950 x 60
	Shipping Dimensions(W x D x H)	mm	740 x 740 x 115	740 x 740 x 115	740 x 740 x 115	740 x 740 x 115	740 x 740 x 115	992 x 992 x 115
	Net/shipping Weight	kg	2.8/4.5	2.8/4.5	2.8/4.5	2.8/4.5	2.8/4.5	6/7.5

Specification



Model Code	Item	Unit	40MU024S-7G-QEE	40MU028S-7G-QEE	40MU030S-7G-QEE	40MU038S-7G-QEE	40MU048S-7G-QEE
Capacity	Cooling	kBtu/h	24.2	27.3	30.7	38.2	47.8
		kW	7.1	8.0	9.0	11.2	14
	Heating	kBtu/h	27.3	30.7	34.1	42.7	54.6
		kW	8.0	9.0	10	12.5	16
Electrical Parameters	Power Supply	Ph/V/Hz	1/220-230/50/60	1/220-230/50/60	1/220-230/50/60	1/220-230/50/60	1/220-230/50/60
Performance	Air Flow (H/m/l)	m ³ /h	1380/1190/1000	1380/1190/1000	2050/1860/1670	2050/1860/1670	2100/1910/1720
	Sound Pressure Level (H/m/l)	dB(A)	35/34/31	37/35/31	37/35/31	37/35/31	44/40/36
	Sound Power Level (H/m/l)	dB(A)	49/48/45	51/49/45	51/49/45	51/49/45	58/54/50
Installation	External Dimensions(W x D x H)	mm	840 x 840 x 204	840 x 840 x 204	840 x 840 x 246	840 x 840 x 246	840 x 840 x 288
	Shipping Dimensions(W x D x H)	mm	983 x 983 x 290	983 x 983 x 290	983 x 983 x 331	983 x 983 x 331	983 x 983 x 373
	Net/Shipping Weight	kg	27/30	27/30	31/36	31/36	33/38
	Refrigerant Liquid Pipe	mm	9.52	9.52	9.52	9.52	9.52
	Refrigerant Gas Pipe	mm	15.88	15.88	15.88	15.88	15.88
Panel (optional)	Model Name		40VPU048S7GQEE	40VPU048S7GQEE	40VPU048S7GQEE	40VPU048S7GQEE	40VPU048S7GQEE
	External Dimensions(W x D x H)	mm	950 x 950 x 60	950 x 950 x 60	950 x 950 x 60	950 x 950 x 60	950 x 950 x 60
	Shipping Dimensions(W x D x H)	mm	992 x 992 x 115	992 x 992 x 115	992 x 992 x 115	992 x 992 x 115	992 x 992 x 115
	Net/shipping Weight	kg	6/7.5	6/7.5	6/7.5	6/7.5	6/7.5

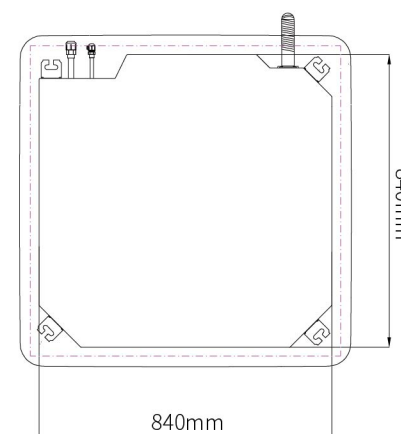
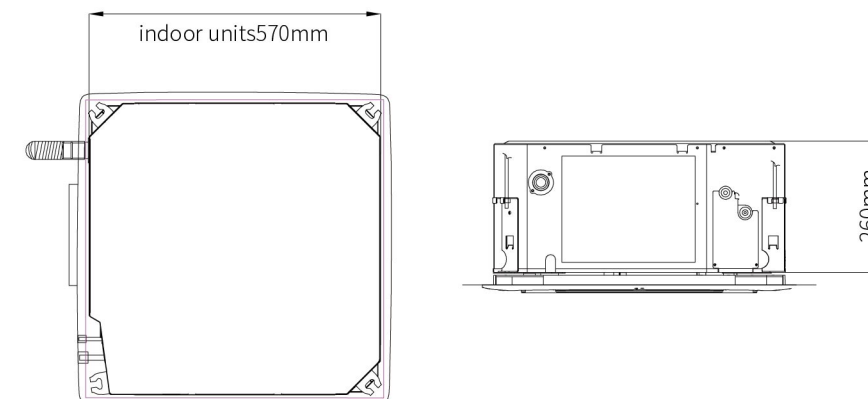
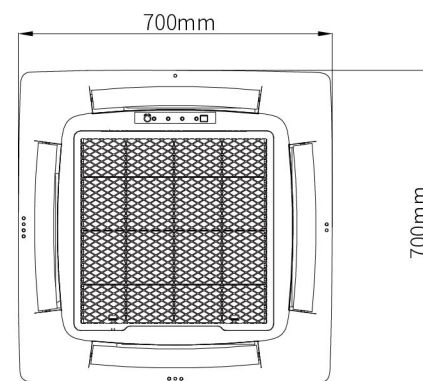


FOUR-WAY CASSETTE (AC MOTOR)

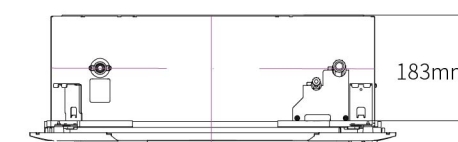


Dimensions

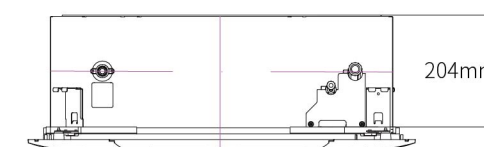
40VU005C-7G-QEE/40VU007C-7G-QEE/40VU009C-7G-QEE/40VU012C-7G-QEE/40VU016C-7G-QEE



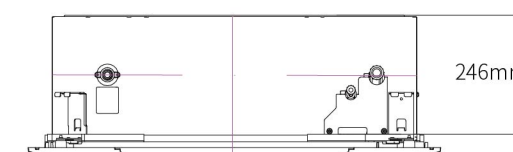
40VU018S-7G-QEE



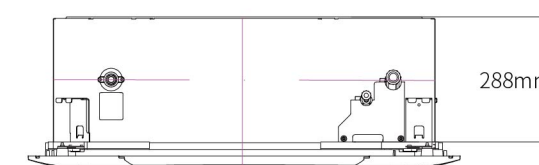
40VU024S-7G-QEE/40VU028S-7G-QEE



40VU030S-7G-QEE/40VU038S-7G-QEE

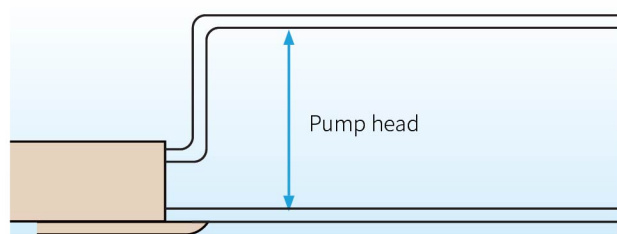


40VU048S-7G-QEE



Standard Built-in Drain Pump

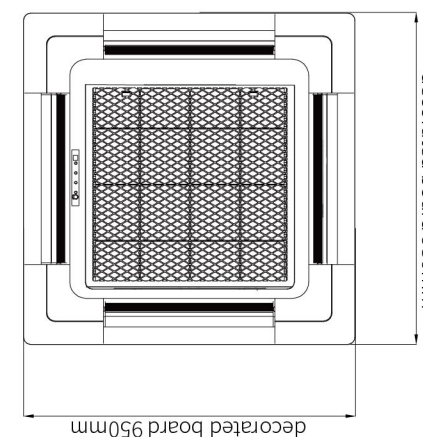
Standard built-in drain pump can take the condensed water up to 700 mm for easier installation of the drain piping system.



	40VU005~016C-7G-QEE	40VU018~048S-7G-QEE
Pump Head (mm)	700	1200

Easy Service & Maintenance








- Easy removal of air filter for cleaning
- Easy access to indoor unit components
- Remote on/off function and alarm function





indoor

ROUND-WAY CASSETTE (DC MOTOR)

-  Round corner design
-  Unique round-way air outlet and 360° air distribution to reduce blind spots
-  DC powered fan with low sound level and high efficiency
-  Built-in drain pump
-  Innovative four-way independent airflow control, 6 adjustable louver positions and 1296 air flow combinations
-  Up to 4.2 m ceiling height with a large capacity
-  Automatic display of fault codes



Optional Panel: 40VPU054R7EQEE



Specification

Model Code	Item	Unit	40VU007R-7E-QEE	40VU009R-7E-QEE	40VU012R-7E-QEE	40VU016R-7E-QEE	40VU018R-7E-QEE	40VU024R-7E-QEE
Capacity	Cooling	kBtu/h	7.5	9.5	12.3	15.3	19.1	24.2
		kW	2.2	2.8	3.6	4.5	5.6	7.1
	Heating	kBtu/h	8.5	10.9	13.6	17.1	21.5	27.3
		kW	2.5	3.2	4.0	5.0	6.3	8.0
Electrical Parameters	Power Supply	Ph/V/Hz	1/220-230/50/60	1/220-230/50/60	1/220-230/50/60	1/220-230/50/60	1/220-230/50/60	1/220-230/50/60
Performance	Air flow (H/M/L)	m ³ /h	1000/810/620	1000/810/620	1000/810/620	1000/810/620	1000/810/620	1380/1190/1000
	Sound Pressure Level (H/m/l)	dB(A)	30/27/25	30/27/25	30/27/25	32/29/27	33/30/29	35/34/31
Installation	External Dimensions(W x D x H)	mm	840 x 840 x 183	840 x 840 x 183	840 x 840 x 183	840 x 840 x 183	840 x 840 x 183	840 x 840 x 204
	Net/Shipping Weight	kg	25/28	25/28	25/28	25/28	25/28	27/30
	Refrigerant Liquid Pipe	mm	6.35	6.35	6.35	6.35	6.35	9.52
	Refrigerant Gas Pipe	mm	9.52	9.52	12.7	12.7	12.7	15.88
Panel (optional)	Model Name		40VPU054R7EQEE	40VPU054R7EQEE	40VPU054R7EQEE	40VPU054R7EQEE	40VPU054R7EQEE	40VPU054R7EQEE
	Model Name With Presence Sensor		40VPU054A7EQEE	40VPU054A7EQEE	40VPU054A7EQEE	40VPU054A7EQEE	40VPU054A7EQEE	40VPU054A7EQEE
	External Dimensions(W x D x H)	mm	950 x 950 x 50	950 x 950 x 50	950 x 950 x 50	950 x 950 x 50	950 x 950 x 50	950 x 950 x 50
	Shipping Dimensions(W x D x H)	mm	1013 x 1025 x 123	1013 x 1025 x 123	1013 x 1025 x 123	1013 x 1025 x 123	1013 x 1025 x 123	1013 x 1025 x 123
	Net/shipping Weight	kg	6.5/9	6.5/9	6.5/9	6.5/9	6.5/9	6.5/9

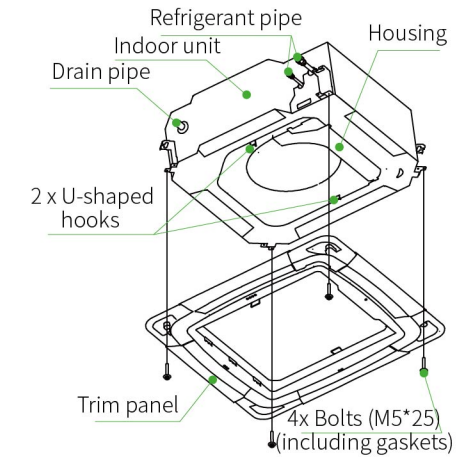
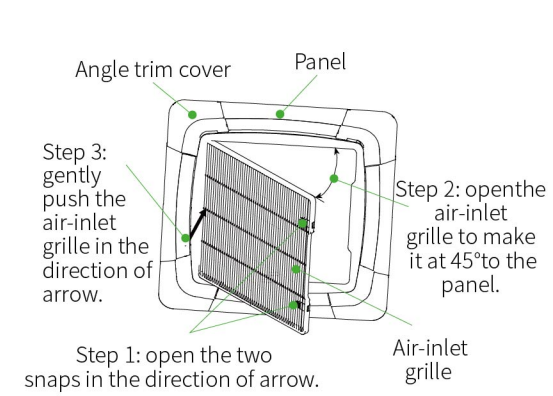
Specification



Model Code	Item	Unit	40VU028R-7E-QEE	40VU030R-7E-QEE	40VU038R-7E-QEE	40VU048R-7E-QEE	40VU054R-7E-QEE
Capacity	Cooling	kBtu/h	27.3	30.7	38.2	47.7	54.6
		kW	8.0	9.0	11.2	14	16
	Heating	kBtu/h	30.7	34.1	42.6	54.6	61.2
		kW	9.0	10	12.5	16	18
Electrical Parameters	Power supply	Ph/V/Hz	1/220-230/50/60	1/220-230/50/60	1/220-230/50/60	1/220-230/50/60	1/220-230/50/60
Performance	Air Flow (H/m/l)	m ³ /h	1380/1190/1000	2050/1860/1670	2050/1860/1670	2100/1910/1720	2100/1910/1720
	Sound Pressure Level (H/m/l)	dB(A)	37/35/31	37/35/31	37/35/31	44/40/36	44/40/36
Installation	External Dimensions(W x D x H)	mm	840 x 840 x 204	840 x 840 x 246	840 x 840 x 246	840 x 840 x 288	840 x 840 x 288
	Net/Shipping Weight	kg	27/30	31/36	31/36	33/38	33/38
	Refrigerant Liquid Pipe	mm	9.52	9.52	9.52	9.52	9.52
	Refrigerant Gas Pipe	mm	15.88	15.88	15.88	15.88	15.88
Panel (optional)	Model Name		40VPU054R7EQEE	40VPU054R7EQEE	40VPU054R7EQEE	40VPU054R7EQEE	40VPU054R7EQEE
	Model Name With Presence Sensor		40VPU054A7EQEE	40VPU054A7EQEE	40VPU054A7EQEE	40VPU054A7EQEE	40VPU054A7EQEE
	External Dimensions(W x D x H)	mm	950 x 950 x 50	950 x 950 x 50	950 x 950 x 50	950 x 950 x 50	950 x 950 x 50
	Shipping Dimensions(W x D x H)	mm	1013 x 1025 x 123	1013 x 1025 x 123	1013 x 1025 x 123	1013 x 1025 x 123	1013 x 1025 x 123
	Net/shipping Weight	kg	6.5/9	6.5/9	6.5/9	6.5/9	6.5/9



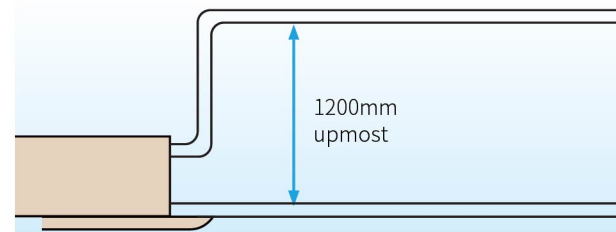
ROUND-WAY CASSETTE (DC MOTOR)



indoor

Standard Built-in Drain Pump

Standard built-in drain pump can take the condensed water up to 1200 mm which makes easier installation of the drain piping system.



Smart Self Diagnostic Function

By adding digital tube displayer on the display board, the error codes can be displayed directly for trouble shooting.



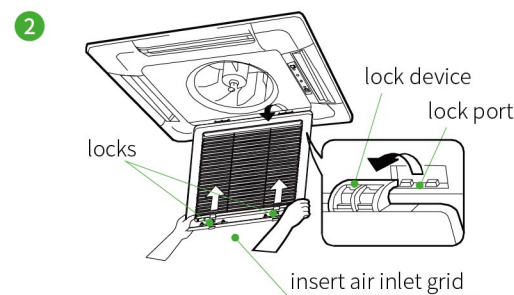
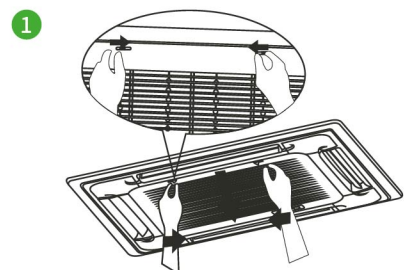
Save Energy

- Optional panel with presence sensor
- In case of detected human, IDU turns on
 - Without movement, IDU goes incomplete off mode

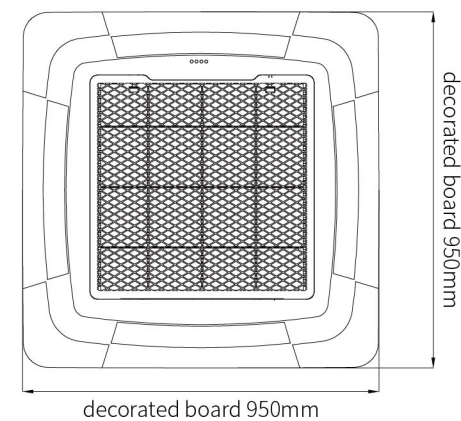
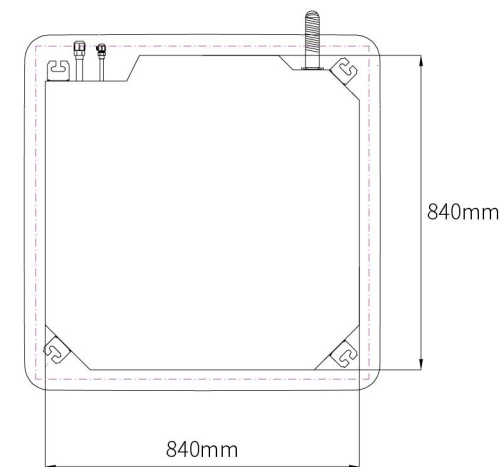


Easy Service & Maintenance

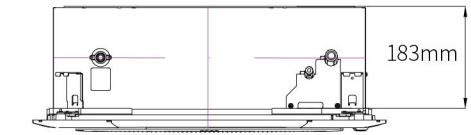
- Easy removal of air filter for cleaning
- Easy access to indoor unit components
- Remote on/off function and alarm function



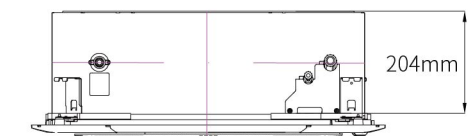
Dimensions



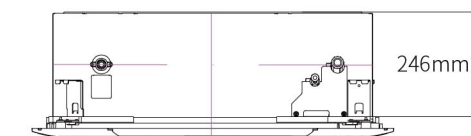
40VU007/009/012/016/018R-7E-QEE



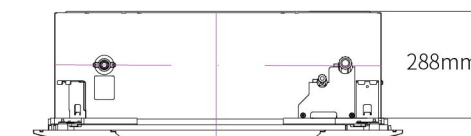
40VU024/028R-7E-QEE



40VU030/038R-7E-QEE



40VU048/054R-7E-QEE





indoor

SLIM DUCT (DC MOTOR 0/15/30 PA)

- ↕ Ultra-thin design: 185 mm height to accommodate in limited space
- ⚙️ DC motor with six fan speeds to provide unique and comfort control
- 🚰 Built-in drain pump
- ↻ Bottom or rear air return
- ⚙️ Static pressure setting 0/30 Pa
- 🔌 Can install with or without discharge & return plenum



Specification

Model Code	Item	Unit	40VD005L-7E-QEE	40VD007L-7E-QEE	40VD009L-7E-QEE	40VD012L-7E-QEE
Capacity	Cooling	kBtu/h	5.1	7.5	9.5	12.3
		kW	1.5	2.2	2.8	3.6
	Heating	kBtu/h	5.8	8.5	10.9	13.6
		kW	1.7	2.5	3.2	4.0
Electrical Parameters	Power Supply	Ph/V/Hz	1/220-230/50/60	1/220-230/50/60	1/220-230/50/60	1/220-230/50/60
Performance	Air Flow (H/m/l)	m ³ /h	430/370/310	480/420/360	480/420/360	550/430/370
	Sound Pressure Level (H/m/l)	dB(A)	26/22/19	27/23/20	27/23/20	30/27/24
	Sound Power Level (H/m/l)	dB(A)	40/36/33	41/37/34	41/37/34	44/41/38
Installation	External Dimensions(W x D x H)	mm	850 x 420 x 185	850 x 420 x 185	850 x 420 x 185	850 x 420 x 185
	Shipping Dimensions(W x D x H)	mm	1045 x 540 x 270	1045 x 540 x 270	1045 x 540 x 270	1045 x 540 x 270
	Net/Shipping Weight	kg	16.5/21.5	17.5/22.5	17.5/22.5	17.5/22.5
	Refrigerant Liquid Pipe	mm	6.35	6.35	6.35	6.35
	Refrigerant Gas Pipe	mm	9.52	9.52	9.52	12.7
	Static Pressure	Pa	0/15/30	0/15/30	0/15/30	0/15/30
Drain Pump	O-optional, S-standard, W-without)	/	S	S	S	S

Specification



Model Code	Item	Unit	40VD016L-7E-QEE	40VD018L-7E-QEE	40VD024L-7E-QEE
Capacity	Cooling	kBtu/h	15.3	19.1	24.2
		kW	4.5	5.6	7.1
	Heating	kBtu/h	17.1	21.5	27.3
		kW	5.0	6.3	8.0
Electrical Parameters	Power Supply	Ph/V/Hz	1/220-230/50/60	1/220-230/50/60	1/220-230/50/60
Performance	Air Flow (H/m/l)	m ³ /h	600/540/460	800/690/580	930/850/750
	Sound Pressure Level (H/m/l)	dB(A)	32/29/26	33/30/27	36/33/30
	Sound Power Level (H/m/l)	dB(A)	46/43/40	47/44/41	50/47/43
Installation	External Dimensions(W x D x H)	mm	850 x 420 x 185	1170 x 420 x 185	1170 x 420 x 185
	Shipping Dimensions(W x D x H)	mm	1045 x 540 x 270	1365 x 540 x 270	1365 x 540 x 270
	Net/Shipping Weight	kg	18.5/23.5	22.2/28.2	24/30
	Refrigerant Liquid Pipe	mm	6.35	6.35	9.52
	Refrigerant Gas Pipe	mm	12.7	12.7	15.88
	Static Pressure	Pa	0/15/30	0/15/30	0/15/30
Drain Pump	O-optional, S-standard, W-without)	/	S	S	S



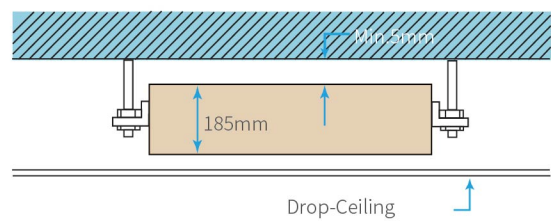
SLIM DUCT

(DC MOTOR – 0/15-30 Pa)



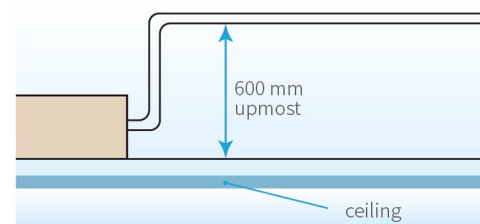
Slim, Light Weight & Compact Design

The compact design is 210 mm in height and is ideal for installation where space above ceiling is limited. The entire body uses fireproof plastic material, and weighs a minimum of 14 kg.



Built-in Drain Pump

Built-in drain pump
(600 mm pump head).



Easy Installation

Available optional outlet panels

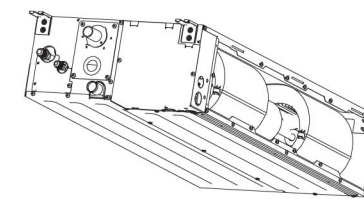


Model Codes	Outlet Panel Dimensions (WxHxD)	Inlet Panel Dimensions (WxHxD)
Up to 40VPD016L7EQEE	890 x 190 x 100 mm	890 x 291 x 100 mm
40VPD018~024L7EQEE	1210 x 190 x 100 mm	1210 x 291 x 100 mm

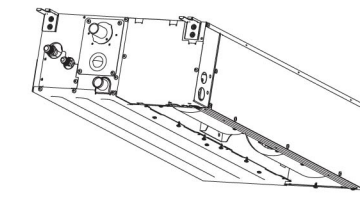
Installation Modes

This series of air conditioners can be arranged in two air return modes:

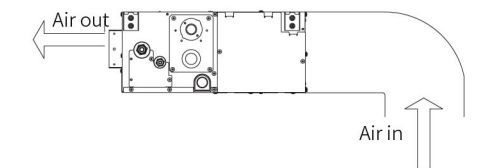
1. Backward air return (factory default); 2. Downward air return (can be adjusted on site. See the following figures.)



Backward air return

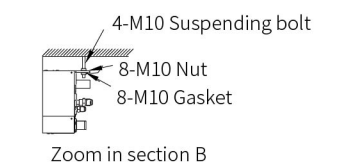
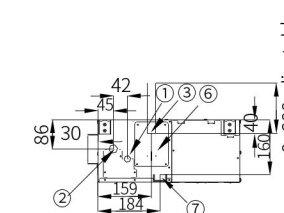
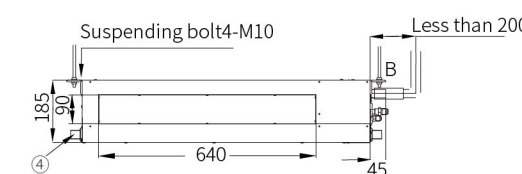
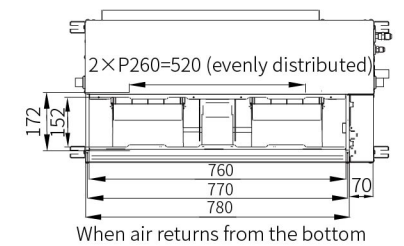
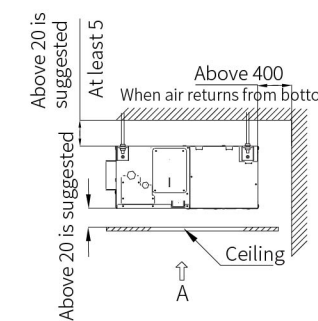
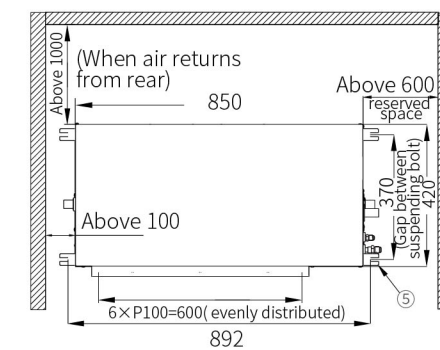


Downward air return 1



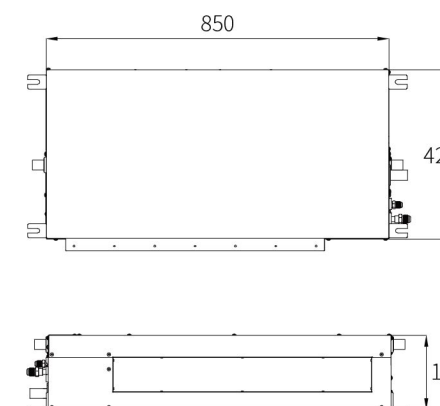
Downward air return 2

Note: the downward air return mode would increase noise 3-5 dB(A). It is recommended to install the air conditioner in downward air return mode 2 if enough space is available.

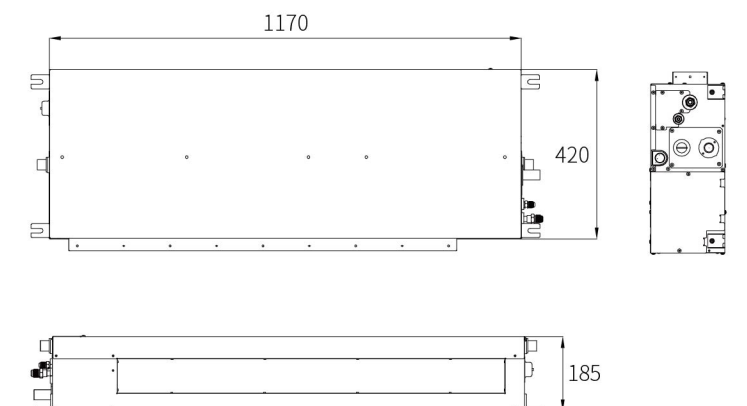


Dimensions

40VD005/007/009/012/016L-7E-QEE



40VD018/024L-7E-QEE



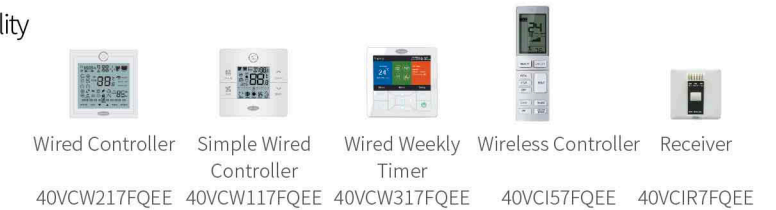


indoor

STANDARD STATIC DUCT (AC/DC Motor 50/100 Pa)



-  Elegant slim design with the thinnest shape
-  Hidden installation for a clean and sophisticated appearance
-  Standard draining pump with maximum 700 mm lift
-  Reserve outside air inlet that helps improve indoor air quality
-  T-shaped lifting eye with adjustable width and length direction for your convenience
-  Better sealing pipe liner made of heat-retaining EPS material



Specification

Model Code	Item	Unit	40VD005S-7G-QEE	40VD007S-7G-QEE	40VD009S-7G-QEE	40VD012S-7G-QEE	40VD016S-7G-QEE	40VD018S-7G-QEE
Capacity	Cooling	kBtu/h	5.1	7.5	9.5	12.3	15.3	19.1
		kW	1.5	2.2	2.8	3.6	4.5	5.6
	Heating	kBtu/h	5.8	8.5	10.9	13.6	17.1	21.5
		kW	1.7	2.5	3.2	4.0	5.0	6.3
Electrical Parameters	Power Supply	Ph/V/Hz	1/220-230/50/60	1/220-230/50/60	1/220-230/50/60	1/220-230/50/60	1/220-230/50/60	1/220-230/50/60
Performance	Air Flow (H/m/l)	m ³ /h	630/510/424	630/510/424	630/510/424	630/510/424	740/550/442	980/840/760
	Sound Pressure Level (H/m/l)	dB(A)	35/33/31	35/33/31	35/33/31	35/33/31	35/33/31	36/34/32
	Sound Power Level (H/m/l)	dB(A)	39/37/35	39/37/35	39/37/35	39/37/35	39/37/35	40/38/36
Installation	External Dimensions(W x D x H)	mm	700 x 700 x 248	700 x 700 x 248	700 x 700 x 248	700 x 700 x 248	700 x 700 x 248	1100 x 700 x 248
	Shipping Dimensions(W x D x H)	mm	932 x 835 x 280	932 x 835 x 280	932 x 835 x 280	932 x 835 x 280	932 x 835 x 280	1332 x 835 x 280
	Net/Shipping Weight	kg	27/32	27/32	27/32	27/32	28.5/33.5	36.8/43.5
	Refrigerant Liquid Pipe	mm	6.35	6.35	6.35	6.35	6.35	6.35
	Refrigerant Gas Pipe	mm	9.52	9.52	9.52	12.7	12.7	12.7
	Static Pressure (Standard/Max.)	Pa	50/100	50/100	50/100	50/100	50/100	50/100
Drain Pump	O-optional,S-standard,W-without)	/	S	S	S	S	S	S

*DC motor version coming soon

Specification



Model Code	Item	Unit	40VD024S-7G-QEE	40VD028S-7G-QEE	40VD030S-7G-QEE	40VD038S-7G-QEE	40VD048S-7G-QEE	40VD054S-7G-QEE
Capacity	Cooling	kBtu/h	24.2	27.3	30.7	38.2	47.8	54.6
		kW	7.1	8.0	9.0	11.2	14	16
	Heating	kBtu/h	27.3	30.7	34.1	44.4	55.6	61.4
		kW	8.0	9.0	10	13	16.3	18
Electrical Parameters	Power Supply	Ph/V/Hz	1/220-230/50/60	1/220-230/50/60	1/220-230/50/60	1/220-230/50/60	1/220-230/50/60	1/220-230/50/60
Performance	Air Flow (H/m/l)	m ³ /h	1174/1080/960	1174/1080/960	1500/1180/930	1700/1300/900	2000/1700/1250	2000/1700/1250
	Sound Pressure Level (H/m/l)	dB(A)	40/37/34	42/38/34	42/38/34	42/39/35	43/40/35	43/40/35
	Sound Power Level (H/m/l)	dB(A)	44/41/38	46/42/38	46/42/38	46/33/39	47/44/39	47/44/39
Installation	External Dimensions(W x D x H)	mm	1100 x 700 x 248	1100 x 700 x 248	1100 x 700 x 248	1500 x 700 x 248	1500 x 700 x 248	1500 x 700 x 248
	Shipping Dimensions(W x D x H)	mm	1332 x 835 x 280	1332 x 835 x 280	1332 x 835 x 280	1698 x 857 x 305	1698 x 857 x 305	1698 x 857 x 305
	Net/Shipping Weight	kg	37/43.4	37/43.6	39.4/45.4	48.3/56.5	51.3/59.5	51.3/59.5
	Refrigerant Liquid Pipe	mm	9.52	9.52	9.52	9.52	9.52	9.52
	Refrigerant Gas Pipe	mm	15.88	15.88	15.88	15.88	15.88	15.88
	Static Pressure (Standard/Max.)	Pa	50/100	50/100	50/100	50/100	50/100	50/100
Drain Pump	O-optional,S-standard,W-without)	/	S	S	S	S	S	S

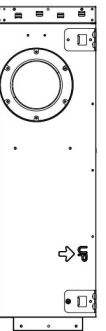
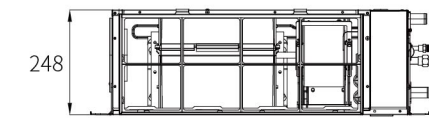
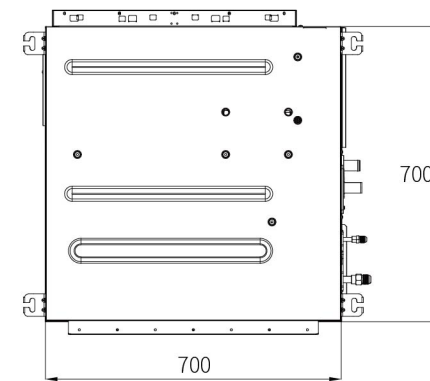


STANDARD STATIC DUCT (AC Motor – 50/100 Pa)



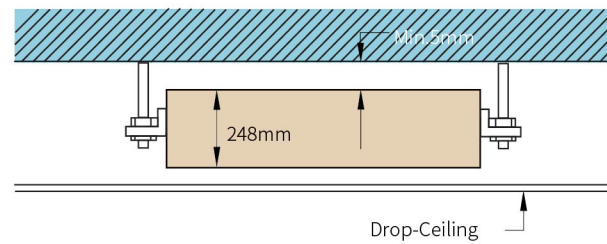
Dimensions

40VD005S-7G-QEE/40VD007S-7G-QEE/40VD009S-7G-QEE/40VD012S-7G-QEE/40VD016S-7G-QEE



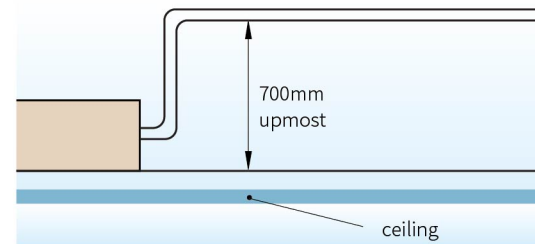
Slim & Compact Design

The compact design is 248 mm in height and is ideal for installation where space above ceiling is limited.

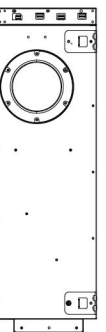
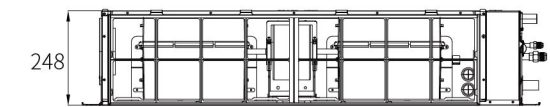
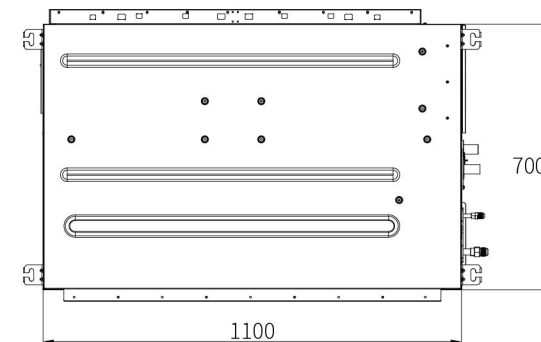


Built-in Drain Pump

Built-in drain pump
(700 mm pump head)

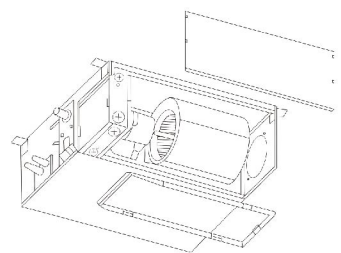


40VD018S-7G-QEE/40VD024S-7G-QEE/40VD028S-7G-QEE

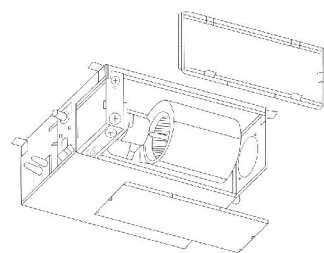


Indoor Unit Line-Up – Standard Static Duct

- Flexible Bottom or Rear Air Return



Back air return opening



Below air return opening

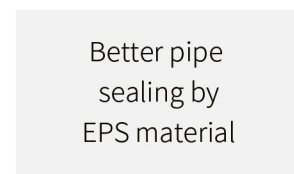
- Fixation adjustment
Width and length direction can be adjusted for more convenience



T-shaped lifting eye



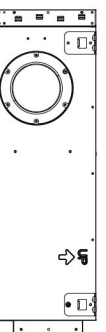
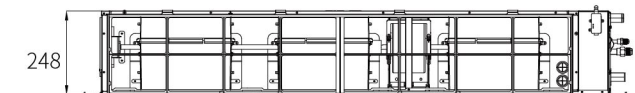
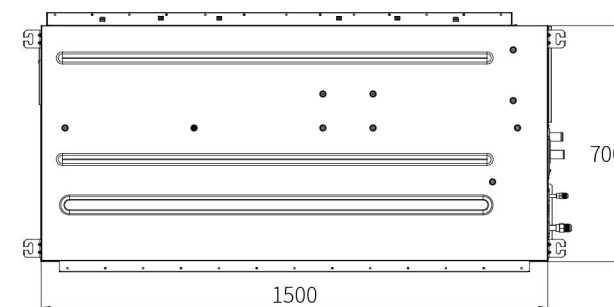
Outside air inlet reservation



Better pipe sealing by EPS material



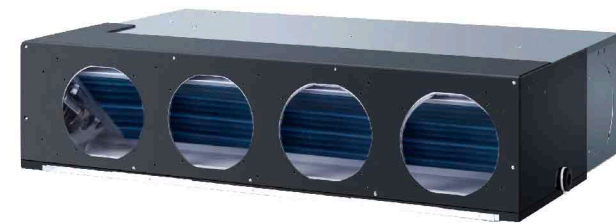
40VD030S-7G-QEE/40VD038S-7G-QEE/40VD048S-7G-QEE/40VD054S-7G-QEE



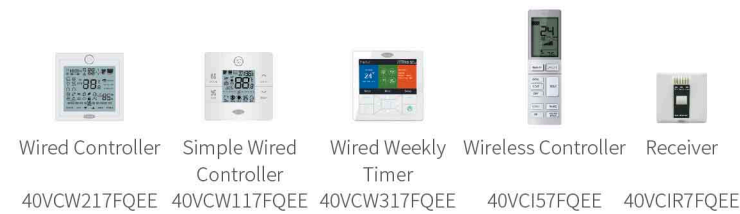


indoor

MEDIUM STATIC DUCT (AC Motor 80/120 Pa)



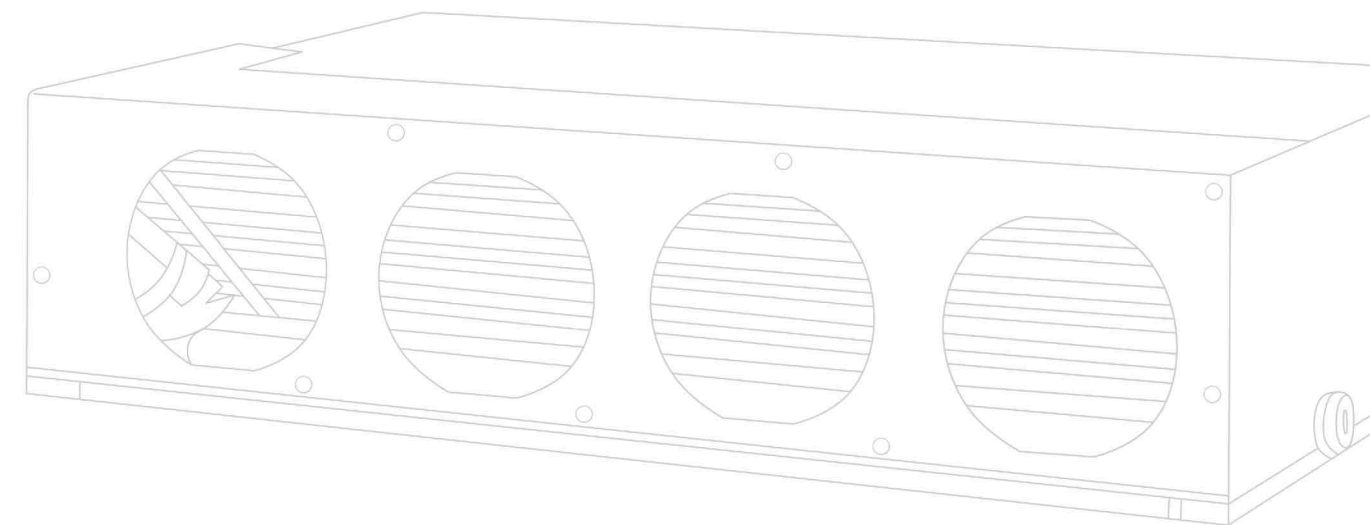
- Available static pressure up to 120 Pa
- Rear & bottom inlet choice
- 4 Ø 205 mm air outlet spiggots
- Optional external drain pump available

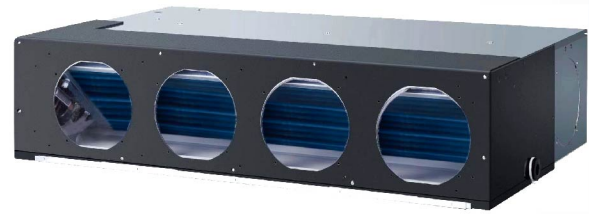


Specification

COOLING HEATING

Mode Code	Item	Unit	40VD030R-7G-QEE	40VD038R-7G-QEE	40VD048R-7G-QEE
Capacity	Cooling	kBtu/h	30	38	48
		kW	9.0	11.2	14
	Heating	kBtu/h	34	43	55
		kW	10	12.5	16
Electrical Parameters	Power Supply	Ph/V/Hz	1/220-230/50/60	1/220-230/50/60	1/220-230/50/60
Performance	Air Flow (H/m/l)	m ³ /h	2208/1973/1795	2208/1973/1795	2208/1973/1795
	Sound Pressure Level (H/m/l)	dB(A)	49/47/43	49/47/43	49/47/43
	Sound Power Level (H/m/l)	dB(A)	62/60/56	62/60/56	62/60/56
Installation	External Dimensions(W x D x H)	mm	1135 x 742 x 270	1135 x 742 x 270	1135 x 742 x 270
	Shipping Dimensions(W x D x H)	mm	1355 x 856 x 380	1355 x 856 x 380	1355 x 856 x 380
	Net/shipping Weight	kg	47/53	47/53	47/53
	Refrigerant Liquid Pipe	mm	9.52	9.52	9.52
	Refrigerant Gas Pipe	mm	15.88	15.88	15.88
	Static Pressure (Standard/max.)	Pa	50/120	80/120	80/120
Drain Pump	O-optional, S-standard, W-without		40VAD096P7FQEE (Optional)	40VAD096P7FQEE (Optional)	40VAD096P7FQEE (Optional)





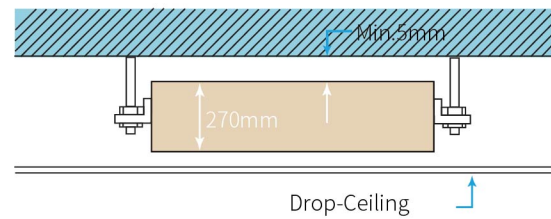
MEDIUM STATIC DUCT (AC MOTOR – 80/120 Pa)



indoor

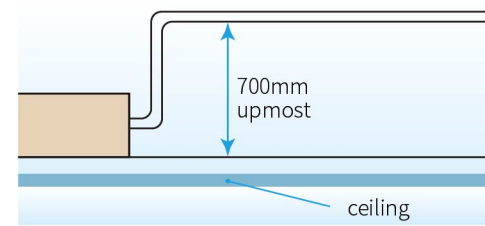
Slim & Compact Design

Uniform 270 mm in height. Compact design for easy installation where space over ceiling is limited, while offering up to 120 Pa ESP.

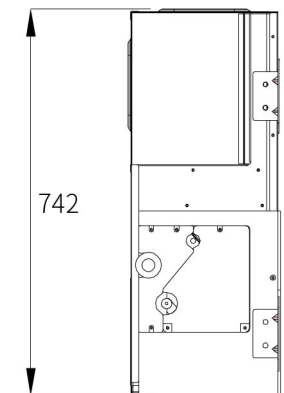
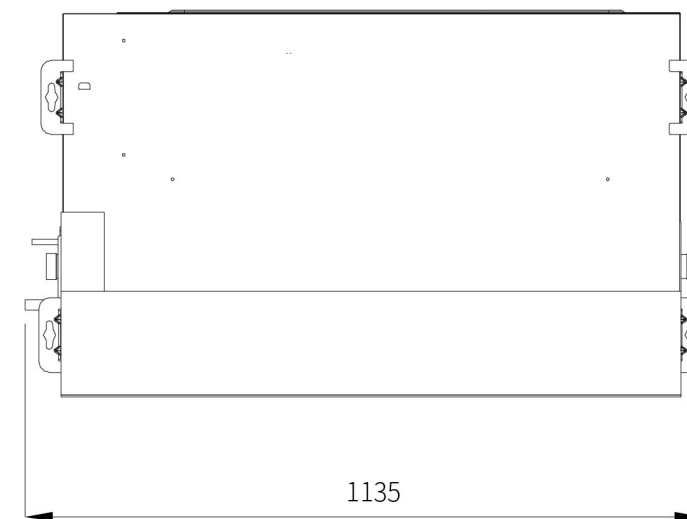
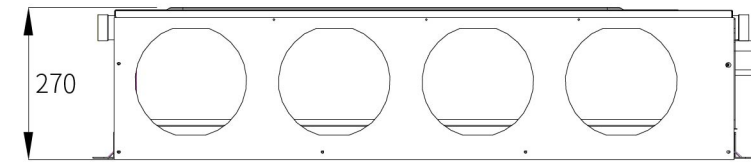


Optional Drain Pump

Optional drain pump (700 mm pump head).

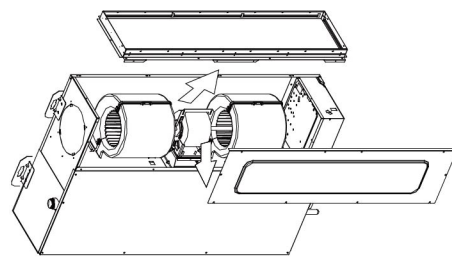


Dimensions

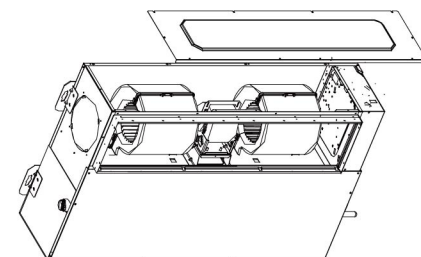


Flexible return air location

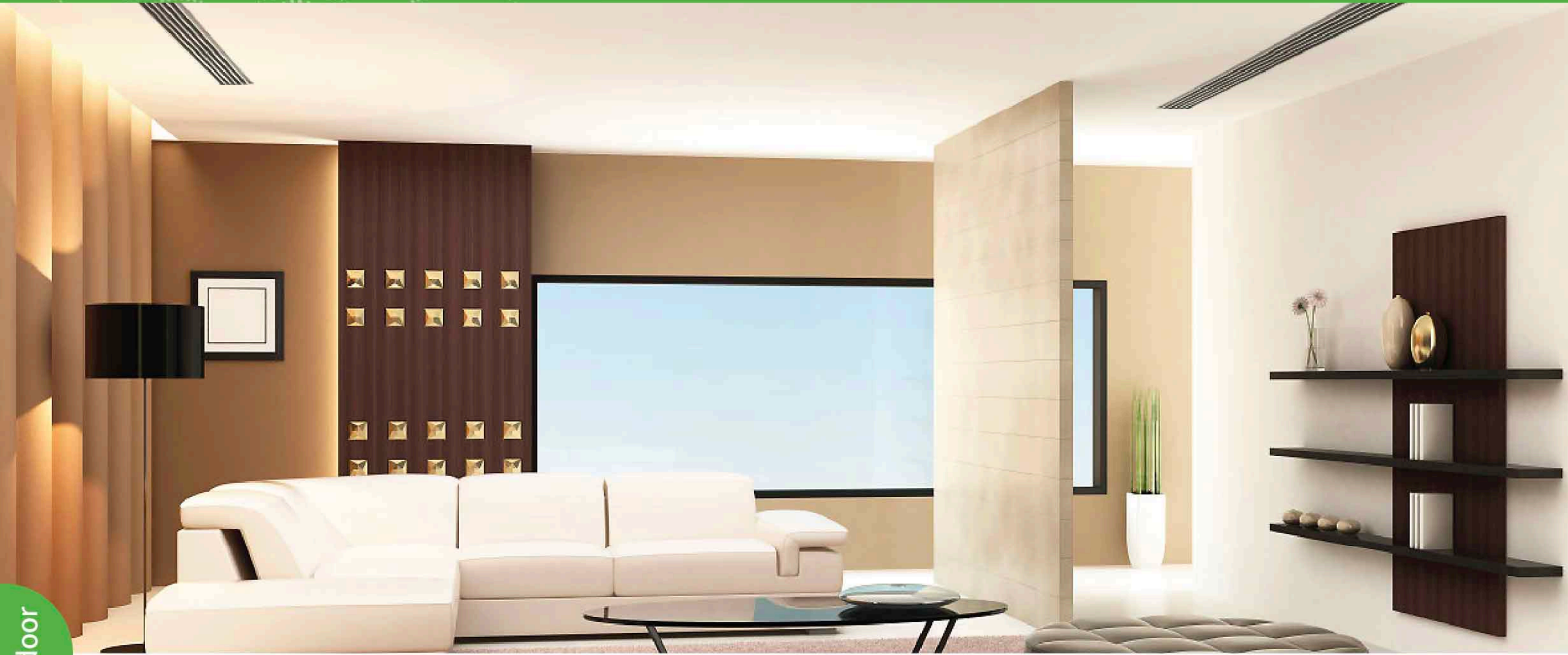
Remarks: In during installation, you can select the lower air return or back air return by adjusting the location of air inlet frame.



Back air return opening
(factory setting)



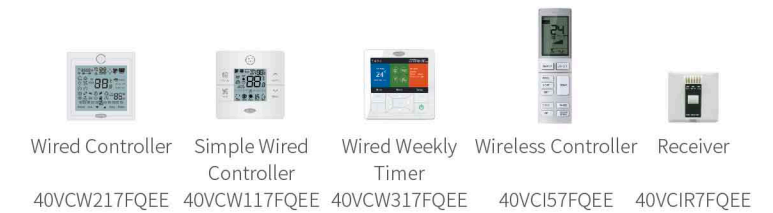
Below air return opening



indoor

HIGH STATIC DUCT (AC MOTOR 100/196 PA)

- Rear air return with plenum
- Flexible discharge duct connection
- Static pressure setting 100-196 Pa
- Eight models ranging from 5.6 kW to 28 kW to meet your consideration
- Optional external drain pump



Specification

Model Code	Item	Unit	40VD018H-7G-QEE	40VD024H-7G-QEE	40VD028H-7G-QEE	40VD030H-7G-QEE
Capacity	Cooling	kBtu/h	19.1	24.2	27.3	30.7
		kW	5.6	7.1	8.0	9.0
	Heating	kBtu/h	21.5	27.3	30.73	34.1
		kW	6.3	8.0	9.0	10
Electrical Parameters	Power Supply	Ph/V/Hz	1/220-230/50/60	1/220-230/50/60	1/220-230/50/60	1/220-230/50/60
Performance	Air Flow (H/m/l)	m ³ /h	1500/1357/1089	1500/1357/1089	1500/1357/1089	1560/1412/1133
	Sound Pressure Level (H/m/l)	dB(A)	42/40/38	42/40/38	42/40/38	45/43/40
	Sound Power Level (H/m/l)	dB(A)	55/53/51	55/53/51	55/53/51	58/53/50
Installation	External Dimensions(W x D x H)	mm	975 x 906 x 360	975 x 906 x 360	975 x 906 x 360	1355 x 876 x 360
	Shipping Dimensions(W x D x H)	mm	1048 x 943 x 413	1048 x 943 x 413	1048 x 943 x 413	1378 x 938 x 405
	Net/Shipping Weight	kg	54/62	54/62	54/62	66/74
	Refrigerant Liquid Pipe	mm	6.35	9.52	9.52	9.52
	Refrigerant Gas Pipe	mm	12.7	15.88	15.88	15.88
	Static Pressure (Standard/max.)	Pa	100/196	100/196	100/196	100/196
Drain Pump	O-optional, S-standard, W-without		O	O	O	O

Specification



Model Code	Item	Unit	40VD038H-7G-QEE	40VD048H-7G-QEE	40VD072H-7G-QEE	40VD096H-7G-QEE
Capacity	Cooling	kBtu/h	38.2	47.8	77.1	95.6
		kW	11.2	14	22.6	28
	Heating	kBtu/h	42.6	54.6	85.3	105.8
		kW	12.5	16	25	31
Electrical Parameters	Power Supply	Ph/V/Hz	1/220-230/50/60	1/220-230/50/60	1/220-230/50/60	1/220-230/50/60
Performance	Air Flow (H/m/l)	m ³ /h	1600/1448/1162	2100/1901/1525	4050/3255/2612	4050/3255/2612
	Sound Pressure Level (H/m/l)	dB(A)	45/43/40	45/43/40	54/51/49	54/51/49
	Sound Power Level (H/m/l)	dB(A)	58/53/50	58/53/50	67/62/59	67/62/59
Installation	External Dimensions(W x D x H)	mm	1355 x 876 x 360	1355 x 876 x 360	1725 x 876 x 360	1725 x 876 x 360
	Shipping Dimensions(W x D x H)	mm	1378 x 938 x 405	1378 x 938 x 405	1830 x 990 x 530	1830 x 990 x 530
	Net/Shipping Weight	kg	66/74	66/74	100/112	100/112
	Refrigerant Liquid Pipe	mm	9.52	9.52	9.52	9.52
	Refrigerant Gas Pipe	mm	15.88	15.88	25.4	25.4
	Static Pressure (Standard/max.)	Pa	100/196	100/196	100/196	100/196
Drain Pump	O-optional, S-standard, W-without		O	O	O	O



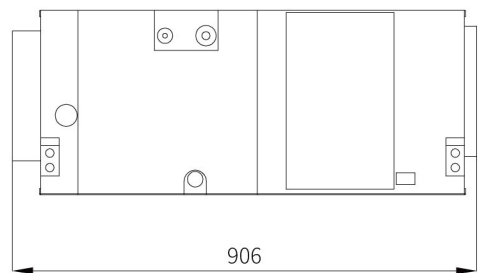
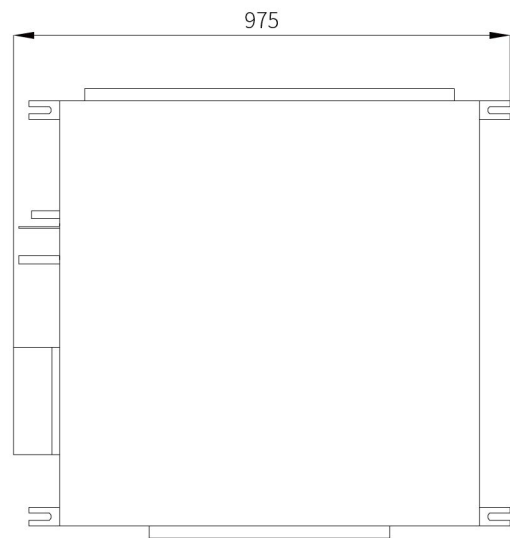
HIGH STATIC DUCT (AC MOTOR – 100/196 Pa)



indoor

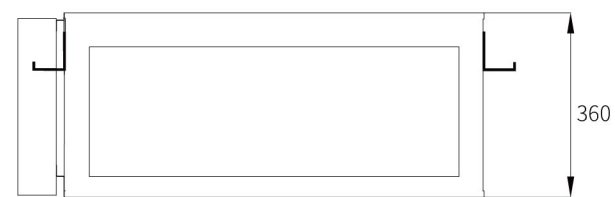
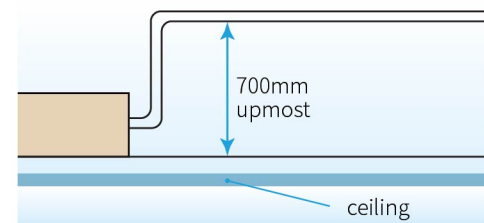
Dimensions

40VD018/024/028H-7G-QEE



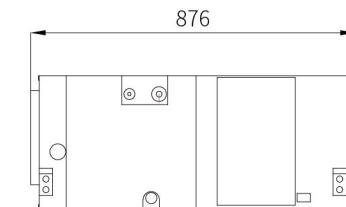
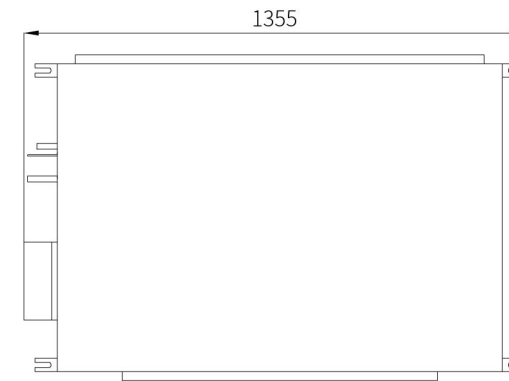
Optional Drain Pump

Optional drain pump
(700 mm pump head).

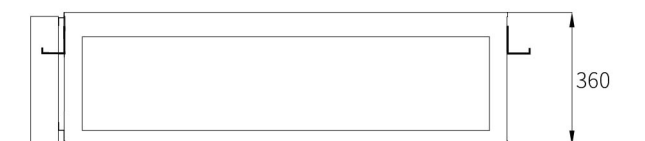
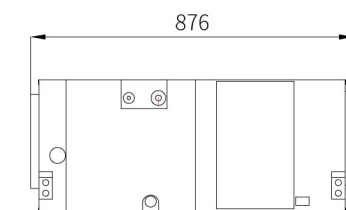


Dimensions

40VD030/038/048H-7G-QEE



40VD072/096H-7G-QEE

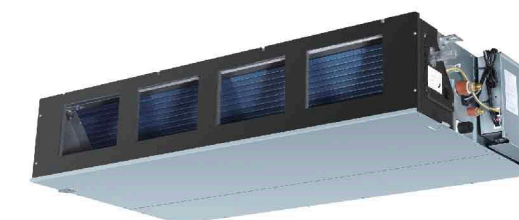




indoor

HIGH STATIC DUCT (DC MOTOR 0 - 200 PA)

- Wide range of capacities covered from 2.2 kW to 16kW with compact 280 mm height
- High efficiency, low energy consumption DC motor
- 6.35 mm coil copper pipe to ensure more precise & efficient refrigerant distribution
- Top-performing composite material fan wheel blower with light air resistance
- ESP can be changed according to requirements to minimize the noise
- Installer friendly buckle design of electric box & pull-out fan motor design
- Built in drain-pump



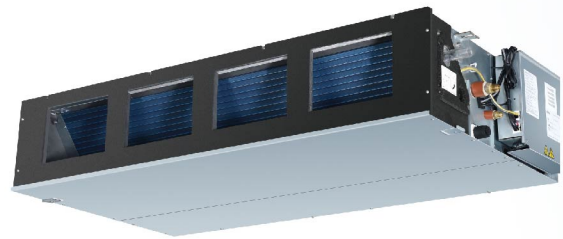
Specification

Model Code	Item	Unit	40VD007H-7S-QEE	40VD009H-7S-QEE	40VD012H-7S-QEE	40VD015H-7S-QEE	40VD018H-7S-QEE	40VD024H-7S-QEE
Capacity	Cooling	kBtu/h	7.6	9.6	12.1	15.1	18.2	24
		kW	2.2	2.8	3.6	4.5	5.6	7.1
	Heating	kBtu/h	8.6	10.6	13.6	17	20	27
		kW	2.5	3.2	4.0	5.0	6.3	8.0
Electrical Parameters	Power Supply	Ph/V/Hz	1/220-240/50(60)	1/220-240/50(60)	1/220-240/50(60)	1/220-240/50(60)	1/220-240/50(60)	1/220-240/50(60)
Performance	Air Flow (H/m/l)	m ³ /h	500/410/360	600/510/450	700/580/500	780/680/600	900/780/600	1100/1020/920
	Sound Pressure Level (H/m/l)	dB(A)	30/25/23	30/25/23	32/29/26	32/29/26	32/29/26	33/29/25
Installation	External Dimensions(W x D x H)	mm	750 x 635 x 280	750 x 635 x 280	750 x 635 x 280	750 x 635 x 280	750 x 635 x 280	950 x 635 x 280
	Shipping Dimensions(W x D x H)	mm	980 x 740 x 335	980 x 740 x 335	980 x 740 x 335	980 x 740 x 335	980 x 740 x 335	1180 x 740 x 335
	Net/Shipping Weight	kg	29/35	29/35	29/35	29/35	29/35	34/41
	Refrigerant Liquid Pipe	mm	6.35	6.35	6.35	6.35	6.35	9.52
	Refrigerant Gas Pipe	mm	9.52	9.52	12.7	12.7	12.7	15.88
	Static Pressure (Standard/max.)	Pa	0~200	0~200	0~200	0~200	0~200	0~200
Drain Pump	O-optional,S-standard,W-without		S	S	S	S	S	S

Specification



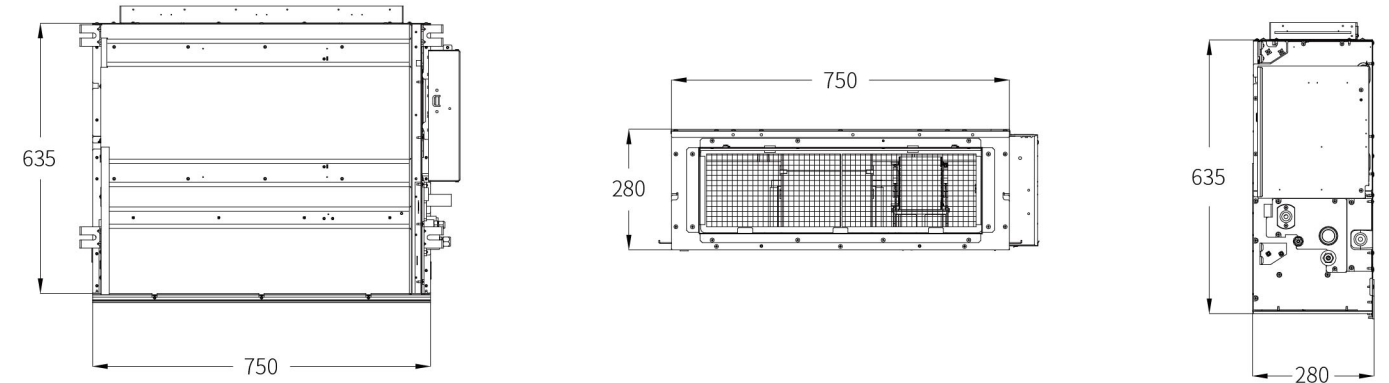
Model Code	Item	Unit	40VD028H-7S-QEE	40VD030H-7S-QEE	40VD036H-7S-QEE	40VD048H-7S-QEE	40VD054H-7S-QEE
Capacity	Cooling	kBtu/h	27.3	30	36	48	54
		kW	8.0	9.0	11.2	14	16
	Heating	kBtu/h	30.7	34	40	54	60
		kW	9.0	10	12.5	16	18
Electrical Parameters	Power Supply	Ph/V/Hz	1/220-240/50(60)	1/220-240/50(60)	1/220-240/50(60)	1/220-240/50(60)	1/220-240/50(60)
Performance	Air Flow (H/m/l)	m ³ /h	1500/1320/1220	1500/1320/1220	1700/1510/1400	2280/1920/1780	2280/1920/1780
	Sound pressure level (H/M/L)	dB(A)	33/29/25	33/29/25	38/36/30	40/34/29	40/34/29
Installation	External Dimensions(W x D x H)	mm	950 x 635 x 280	950 x 635 x 280	1370 x 740 x 280	1370 x 740 x 280	1370 x 740 x 280
	Shipping Dimensions(W x D x H)	mm	1180 x 740 x 335	1180 x 740 x 335	1555 x 839 x 380	1555 x 839 x 380	1555 x 839 x 380
	Net/Shipping Weight	kg	34/41	34/41	54/68	54/68	54/68
	Refrigerant Liquid Pipe	mm	9.52	9.52	9.52	9.52	9.52
	Refrigerant Gas Pipe	mm	15.88	15.88	15.88	15.88	15.88
	Static Pressure (Standard/max.)	Pa	0~200	0~200	0~200	0~200	0~200
Drain Pump	O-optional,S-standard,W-without		S	S	S	S	S



HIGH STATIC DUCT (DC MOTOR - 0-200 Pa)

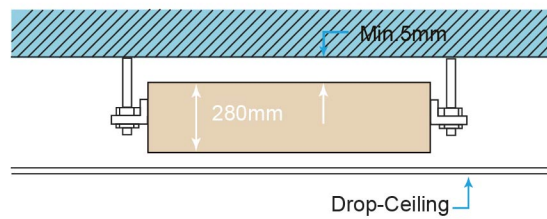


Dimensions



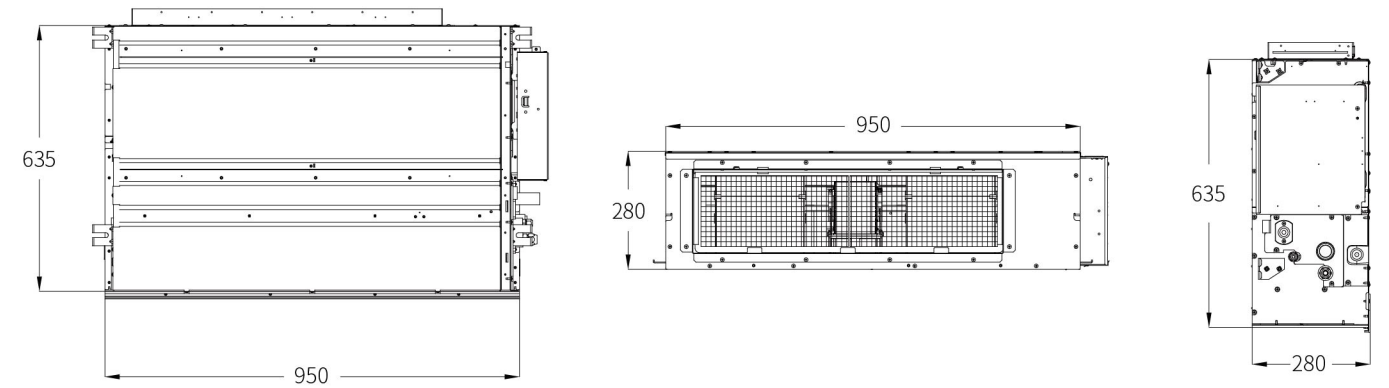
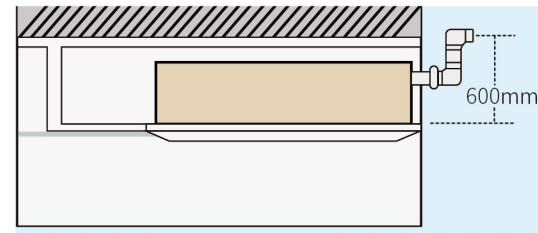
Slim, Light Weight & Compact Design

Uniform 280 mm in height. Compact design for easy installation where space over ceiling is limited.



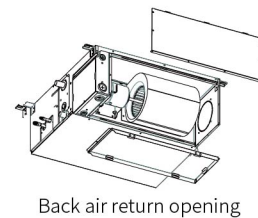
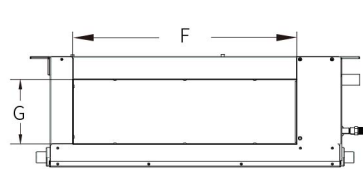
Built-in Drain Pump

Built-in drain pump
(600 mm pump head).

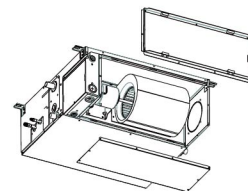


Energy Saving

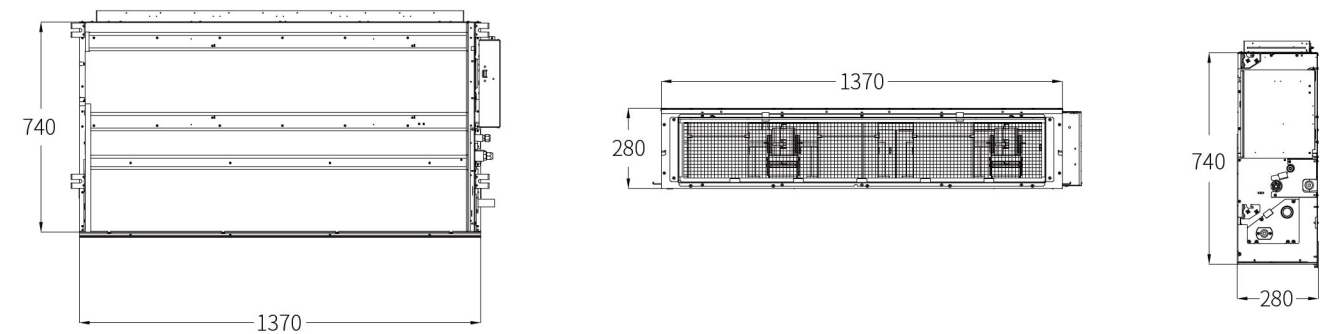
- High efficiency DC fan motor
- 6:35mm heat exchange tube ensures more precise refrigerant distribution and higher efficiency
- High performance composite material wind wheel, light and small air resistance

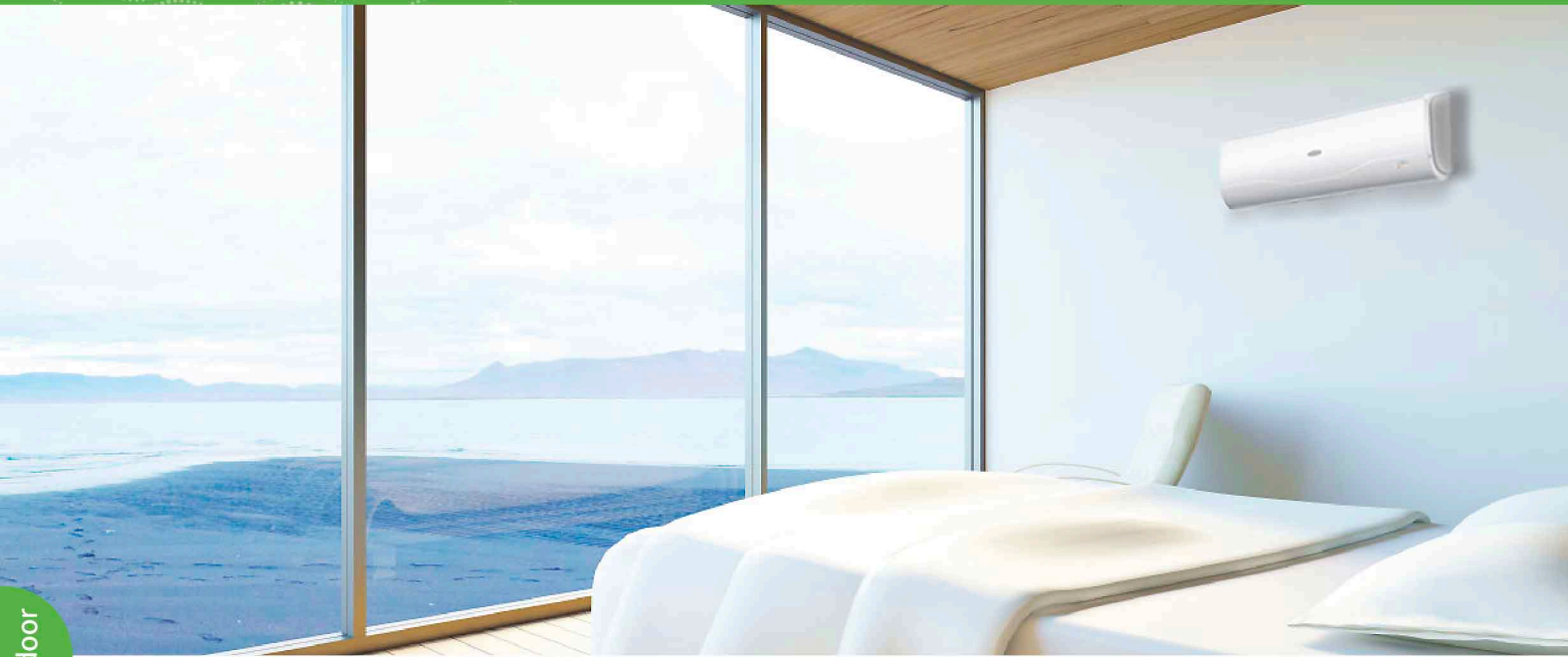


Back air return opening



Below air return opening





indoor

HIGH WALL (DC MOTOR)

- Stylish & exclusive design with LED display
- Easy-support clip to enable simple installation
- High efficiency DC powered fan
- Cover panel using ABS-material to improve surface brightness and tenacity
- PCB integrated design, flexible piping direction arrangement
- PM 2.5 filter available (optional)



Specification

Model Code	Item	Unit	40VK005S-7S-QEE	40VK007S-7S-QEE	40VK009S-7S-QEE	40VK012S-7S-QEE	40VK016S-7S-QEE
Capacity	Cooling	kBtu/h	5.1	7.5	9.5	12.3	15.3
		kW	1.5	2.2	2.8	3.6	4.5
	Heating	kBtu/h	5.8	8.5	10.9	13.6	17.1
		kW	1.7	2.5	3.2	4.0	5.0
Electrical Parameters	Power Supply	Ph/V/Hz	1/220-240/50/60	1/220-240/50/60	1/220-240/50/60	1/220-240/50/60	1/220-240/50/60
Performance	Air Flow (H/m/l)	m ³ /h	500/430/370	550/480/420	600/530/470	630/560/500	800/720/650
	Sound Pressure Level (H/m/l)	dB(A)	33/31/29	35/31/29	36/31/29	37/33/29	39/36/34
	Sound Power Level (H/m/l)	dB(A)	49/46/41	50/47/42	52/48/44	54/51/50	56/53/51
Installation	External Dimensions(W x D x H)	mm	855 x 208 x 280	855 x 208 x 280	855 x 208 x 280	855 x 208 x 280	1115 x 243 x 336
	Shipping Dimensions(W x D x H)	mm	954 x 279 x 355	954 x 279 x 355	954 x 279 x 355	954 x 279 x 355	1206 x 342 x 418
	Net/Shipping Weight	kg	9.9/12	9.9/12	9.9/12	9.9/12	15.8/18.9
	Refrigerant Liquid Pipe	mm	6.35	6.35	6.35	6.35	6.35
	Refrigerant Gas Pipe	mm	9.52	9.52	9.52	12.7	12.7

Specification



Model Code	Item	Unit	40VK018S-7S-QEE	40VK024S-7S-QEE	40VK028S-7S-QEE	40VK030S-7S-QEE
Capacity	Cooling	kBtu/h	19.1	24.2	27.3	30.7
		kW	5.6	7.1	8.0	9.0
	Heating	kBtu/h	21.5	27.3	30.7	34.1
		kW	6.3	8.0	9.0	10
Electrical Parameters	Power Supply	Ph/V/Hz	1/220-240/50/60	1/220-240/50/60	1/220-240/50/60	1/220-240/50/60
Performance	Air Flow (H/m/l)	m ³ /h	920/800/720	1010/920/800	1500/1400/1300	1600/1500/1400
	Sound Pressure Level (H/m/l)	dB(A)	40/39/35	44/40/36	48/43/40	49/44/41
	Sound Power Level (H/m/l)	dB(A)	57/54/52	58/56/54	60/57/53	61/58/54
Installation	External Dimensions(W x D x H)	mm	1115 x 243 x 336	1115 x 243 x 336	1316 x 270 x 365	1316 x 270 x 365
	Shipping Dimensions(W x D x H)	mm	1206 x 342 x 418	1206 x 342 x 418	1403 x 384 x 463	1403 x 384 x 463
	Net/Shipping Weight	kg	15.8/18.9	15.8/18.9	21.8/26.3	21.8/26.3
	Refrigerant Liquid Pipe	mm	6.35	9.52	9.52	9.52
	Refrigerant Gas Pipe	mm	12.7	15.88	15.88	15.88

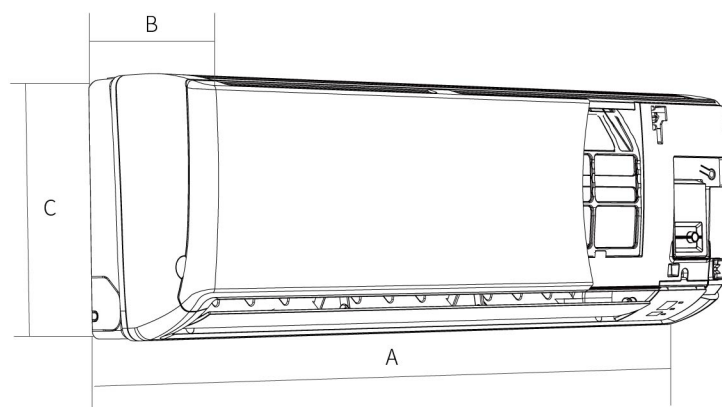


HIGH WALL (DC MOTOR)



Dimensions

MODEL	A	B	C
40VK005/007/009/012S-7S-QEE	855	208	280
40VK016/018/024S-7S-QEE	1115	243	336
40VK028/030S-7S-QEE	1316	220	365



PM 2.5 FILTER



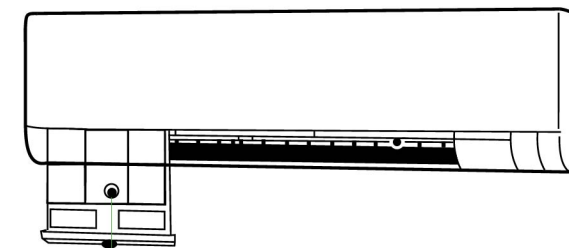
UP TO SIZE 12, 40VFC018F7-QEE
FROM SIZE 16 TO 30, 40VFC054F7-QEE

PM 2.5 FILTER (OPTIONAL)

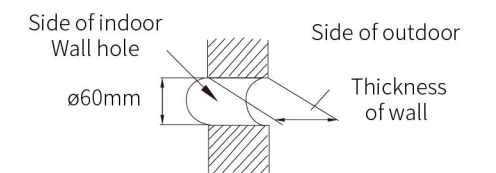
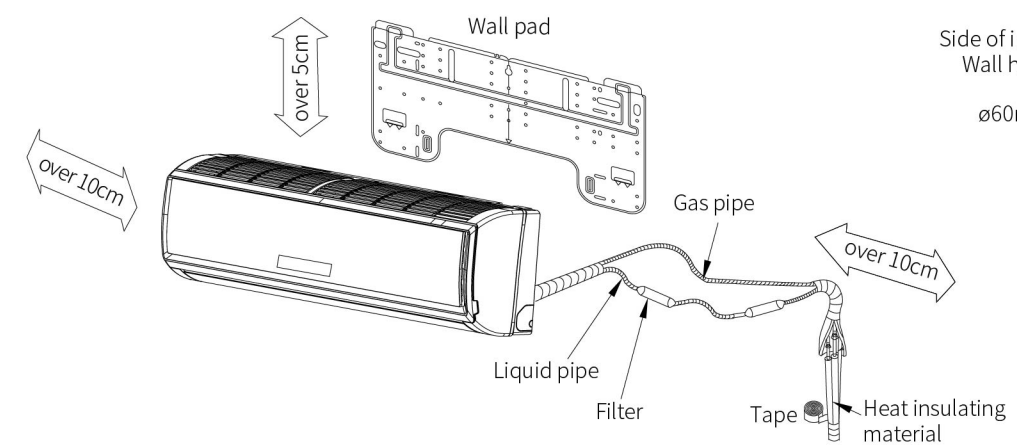
FILTER CODE	DIMENSIONS
40VFC018F7-QEE	105*48*6mm
40VFC054F7-QEE	220*48*6mm

Easy Service & Maintenance

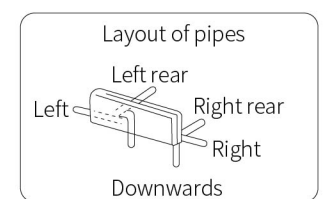
- Easy removal of air filters for cleaning
- Remote on/off function and alarm function
- Easy access to indoor unit components



AIR FILTER
(FILTER THE DUST IN THE AIR)



Cross section of wall hole



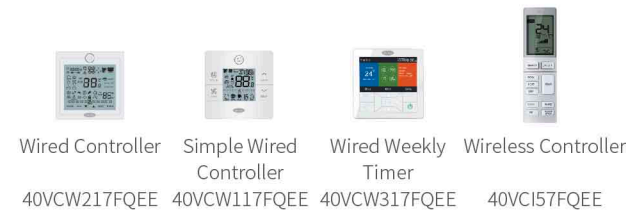
Layout of pipes
Left rear
Right rear
Left
Right
Downwards



indoor

TWO-WAY CONSOLE (DC MOTOR)

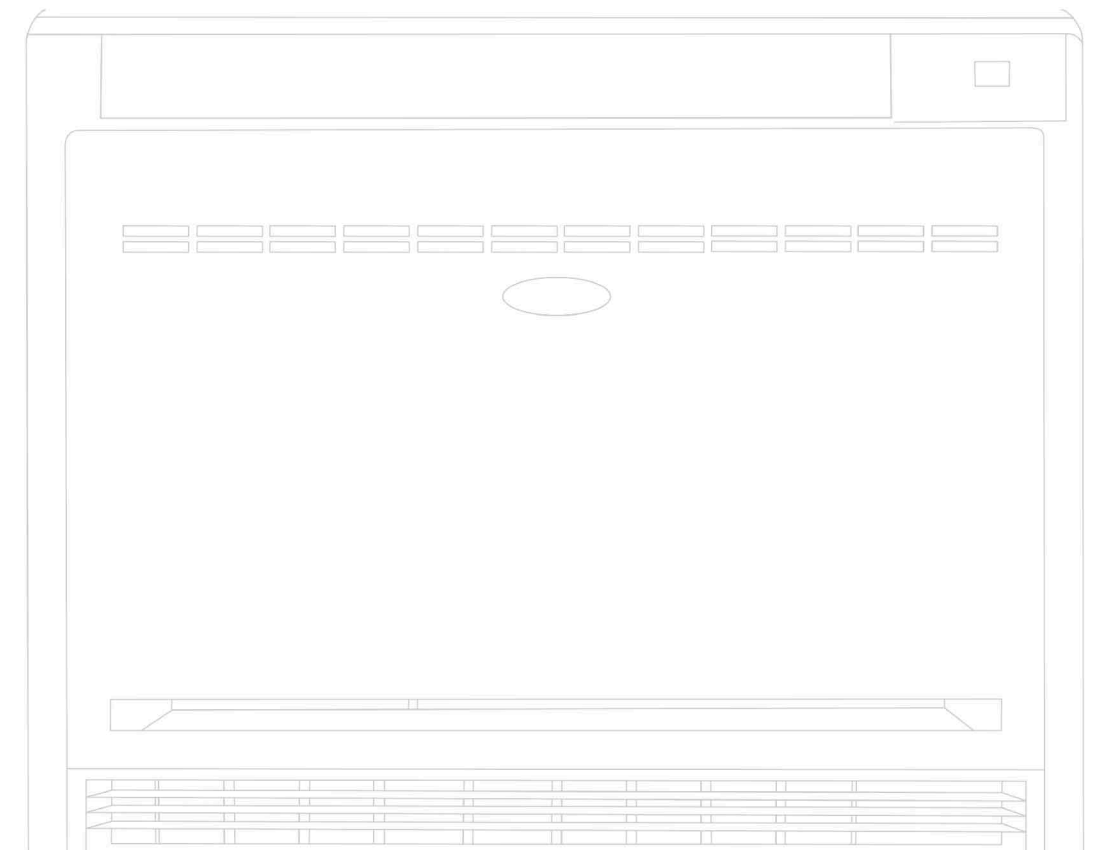
- Compact design makes installation flexible and easy on the floor or against the wall
- Five-speed airflow and two-way airflow mode that automatically adjusts for extra comfort and flexibility
- Automatic adjusting to carpet airflow when switched to two-way airflow mode
- High efficiency filter to improve the indoor air quality
- Stylish & elegant design



Specification

COOLING HEATING

Model Code	Item	Unit	40VL005B-7E-QEE	40VL007B-7E-QEE	40VL009B-7E-QEE	40VL012B-7E-QEE	40VL018B-7E-QEE
Capacity	Cooling	kBtu/h	5.1	7.5	9.5	12.3	17
		kW	1.5	2.2	2.8	3.6	5.0
	Heating	kBtu/h	5.8	8.5	10.9	13.6	18.5
		kW	1.7	2.6	3.2	4.0	5.5
Electrical Parameters	Power Supply	Ph/V/Hz	1,220-230V,50/60HZ	1,220-230V,50/60HZ	1,220-230V,50/60HZ	1,220-230V,50/60HZ	1,220-230V,50/60HZ
Performance	Air Flow (H/m/l)	m ³ /h	540/460/390/310/270	540/460/390/310/270	540/460/390/310/270	580/500/420/350/270	620/540/460/390/270
	Sound Pressure Level (H/m/l)	dB(A)	45/42/38/33/30	45/42/38/33/30	45/42/38/33/30	47/44/40/36/30	48/45/42/38/30
	Sound power level (H/M/L)	dB(A)	58/55/52/48/45	58/55/52/48/45	58/55/52/48/45	60/57/54/51/47	61/58/55/52/48
Installation	External Dimensions(W x D x H)	mm	700/210/600	700/210/600	700/210/600	700/210/600	700/210/600
	Shipping Dimensions(W x D x H)	mm	783/303/695	783/303/695	783/303/695	783/303/695	783/303/695
	Net/Shipping Weight	kg	15.2/18.7	15.2/18.7	15.2/18.7	15.2/18.7	15.2/18.7
	Refrigerant Liquid Pipe	mm	6.35	6.35	6.35	6.35	6.35
	Refrigerant Gas Pipe	mm	12.7	12.7	12.7	12.7	12.7

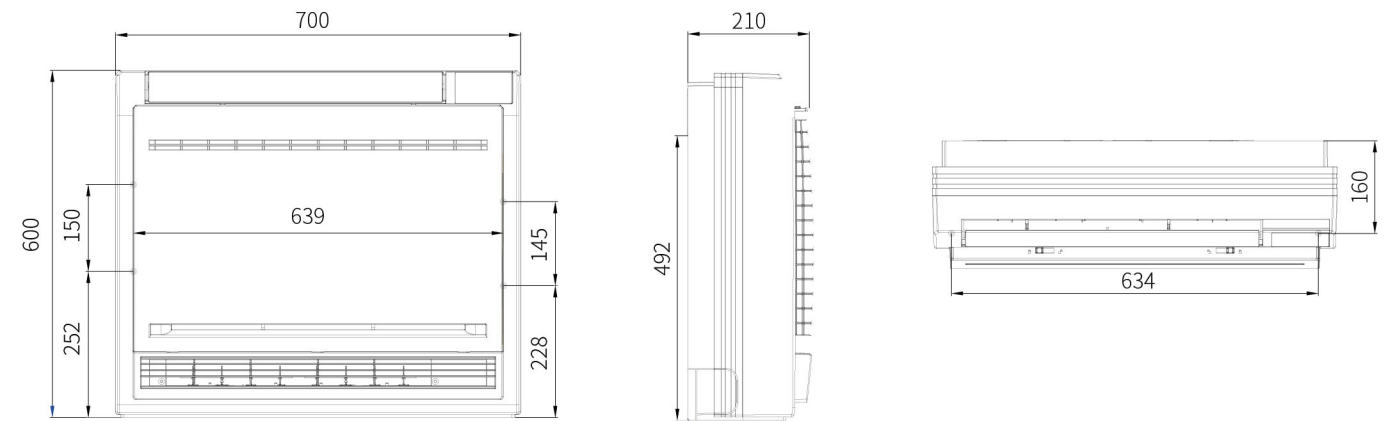




TWO-WAY CONSOLE (DC MOTOR)



Dimensions



Easy Installation

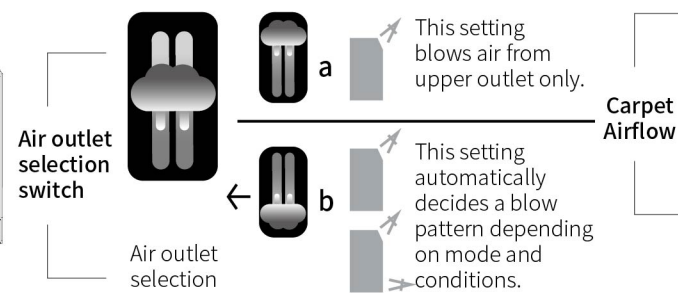
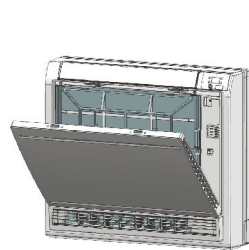
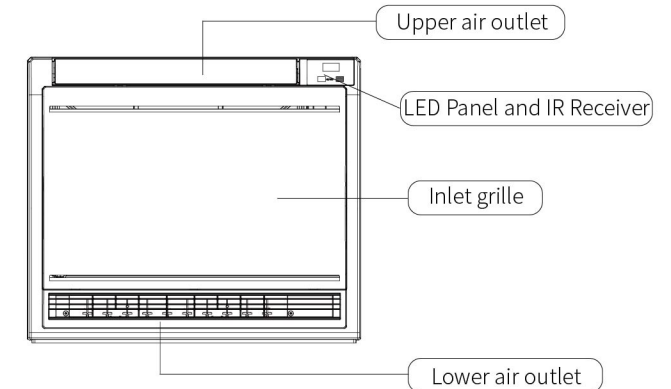
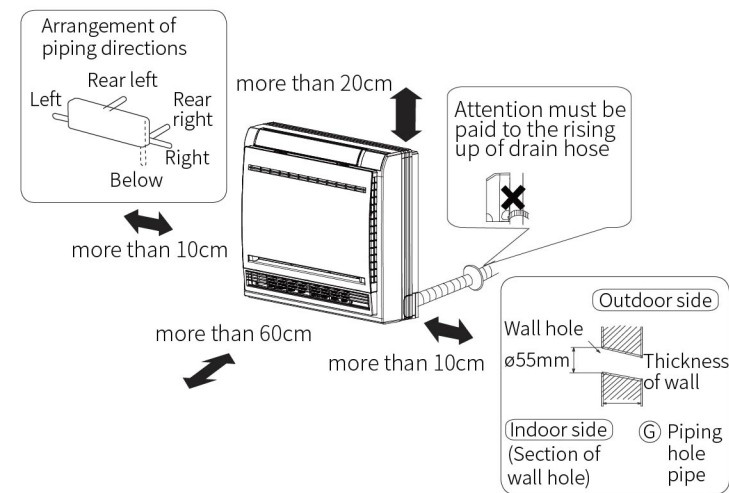
- The indoor units can be installed on the floor or on the wall. It's flexibility allows for easy installation.

Compact Unit, Space Saving

- The console indoor unit is very slim and will be harmonious with any room. It can be placed at the corner, and is very space saving.



Installation & Service



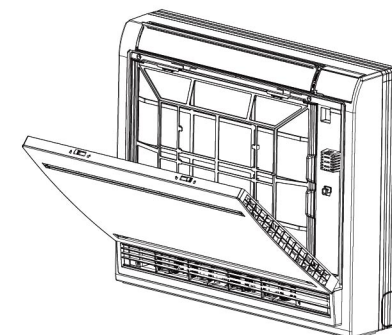
The machine operates upper airflow
1. In cooling mode, when the room temperature is close to the setting temperature
2. In heating mode, when the unit just starts operation or there is big temperature gap between outdoor and the room

The machine operates upper and lower airflow
1. In heating mode, when the room temperature is close to the setting temperature
2. In cooling mode, when the unit just starts operation or there is big temperature gap between outdoor and the room

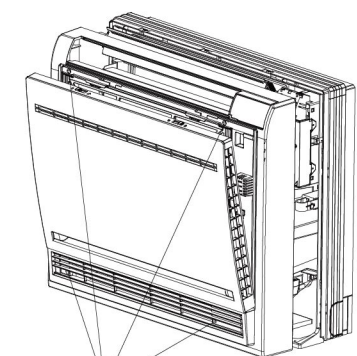


待提供高清图

- Hole the front panel by the tabs on the both sides and lift it until it stops with a click.



- Loosen the marked four screws and open the grille.



Four screws



indoor

Specification



Model Code	Item	Unit	40VL007R-7G-QEE	40VL009R-7G-QEE	40VL012R-7G-QEE	40VL016R-7G-QEE	40VL018R-7G-QEE	40VL024R-7G-QEE
Capacity	Cooling	kBtu/h	7.5	9.5	12.3	15.3	19.1	24.2
		kW	2.2	2.8	3.6	4.5	5.6	7.1
	Heating	kBtu/h	8.5	10.9	13.6	17.1	21.5	27.3
		kW	2.5	3.2	4.0	5.0	6.3	8.0
Electrical Parameters	Power Supply	Ph/V/Hz	1/220-230/50/60	1/220-230/50/60	1/220-230/50/60	1/220-230/50/60	1/220-230/50/60	1/220-230/50/60
Performance	Air Flow (H/m/l)	m ³ /h	750/650/550	750/650/550	750/650/550	950/830/720	950/830/720	950/830/720
	Sound Pressure Level (H/m/l)	dB(A)	38/35/33	38/35/33	40/37/35	40/37/35	42/39/36	42/39/36
	Sound Power Level (H/m/l)	dB(A)	51/48/46	51/48/46	53/50/48	53/50/48	55/52/49	55/52/49
Installation	External Dimensions(W x D x H)	mm	1116 x 221 x 624	1116 x 221 x 624	1116 x 221 x 624	1116 x 221 x 624	1116 x 221 x 624	1116 x 221 x 624
	Shipping Dimensions(W x D x H)	mm	1198 x 295 x 707	1198 x 295 x 707	1198 x 295 x 707	1198 x 295 x 707	1198 x 295 x 707	1198 x 295 x 707
	Net/Shipping Weight	kg	29/37	29/37	29/37	31/39	31/39	31/39
	Refrigerant Liquid Pipe	mm	6.35	6.35	6.35	6.35	6.35	9.52
	Refrigerant Gas Pipe	mm	9.52	9.52	12.7	12.7	12.7	15.88
	Static Pressure	Pa	0/30	0/30	0/30	0/30	0/30	0/30

Preliminary information - SEA/HK range. Subject to change

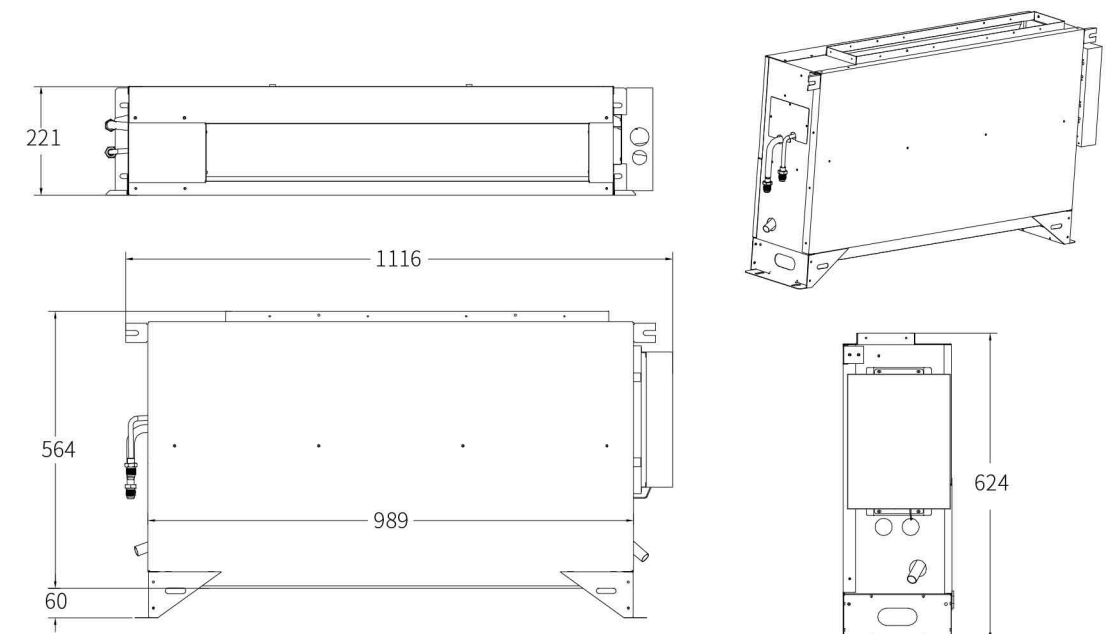
CONSOLE—RECESSED
(AC MOTOR)



- Compact design suitable for installation space as little as 221 mm
- Good solution for installation beneath a window
- Washable filter fitted as standard
- 30 Pa available static pressure for small ducting or higher efficiency filter



Dimensions





indoor

FLEX CEILING FLOOR (DC MOTOR)

- Ultra compact design (230 mm), elegant balance of flexibility and simplicity
- Appealing, even without screen cover
- Easy installation and maintenance
- Simultaneous left and right swing control for optional freestyle airflow
- Easy access to PCB
- PM 2.5 filter (optional)



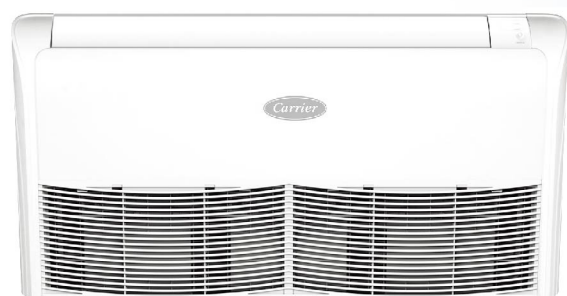
Specification

Model Code	Item	Unit	40VC009F-7S-QEE	40VC012F-7S-QEE	40VC016F-7S-QEE	40VC018F-7S-QEE	40VC024F-7S-QEE
Capacity	Cooling	kBtu/h	9.5	12.3	15.4	19.1	24.2
		kW	2.8	3.6	4.5	5.6	7.1
	Heating	kBtu/h	10.9	13.6	17.1	21.5	27.3
		kW	3.2	4.0	5.0	6.3	8.0
Electrical Parameters	Power Supply	Ph/V/Hz	1,220~230,50/60	1,220~230,50/60	1,220~230,50/60	1,220~230,50/60	1,220~230,50/60
Performance	Air Flow (H/m/l)	m ³ /h	820/750/690	820/750/690	950/820/690	950/820/690	1420/1270/1240
	Sound Pressure Level (H/m/l)	dB(A)	38/36/34	38/36/34	42/38/35	42/38/35	46/44/41
	Sound Power Level (H/m/l)	dB(A)	52/50/47	52/50/47	55/51/48	55/51/48	60/58/54
Installation	External Dimensions(W x D x H)	mm	1000 x 230 x 680	1000 x 230 x 680	1000 x 230 x 680	1000 x 230 x 680	1330 x 230 x 680
	Shipping dimensions(W x D x H)	mm	1100 x 305 x 779	1100 x 305 x 779	1100 x 305 x 779	1100 x 305 x 779	1425 x 305 x 779
	Net/Shipping Weight	kg	27.9/33.6	27.9/33.6	27.9/33.6	27.9/33.6	35.8/42.1
	Refrigerant Liquid Pipe	mm	6.35	6.35	6.35	6.35	9.52
	Refrigerant Gas Pipe	mm	9.52	12.7	12.7	12.7	15.88

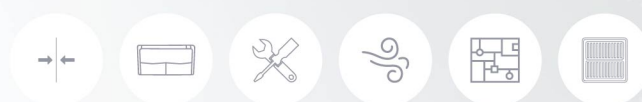
Specification



Model Code	Item	Unit	40VC028F-7S-QEE	40VC030F-7S-QEE	40VC038F-7S-QEE	40VC048F-7S-QEE
Capacity	Cooling	kBtu/h	27.3	30.7	38.2	48.0
		kW	8.0	9.0	11.2	14.0
	Heating	kBtu/h	30.7	34.1	42.6	55.0
		kW	9.0	10	12.5	16.0
Electrical Parameters	Power supply	Ph/V/Hz	1,220~230,50/60	1,220~230,50/60	1,220~230,50/60	1,220~230,50/60
Performance	Air Flow (H/m/l)	m ³ /h	1570/1420/1240	1570/1420/1240	2110/1990/1750	2110/1990/1750
	Sound Pressure Level (H/m/l)	dB(A)	47/44/41	47/44/41	50/46/43	50/46/43
	Sound Power Level (H/m/l)	dB(A)	61/58/54	61/58/55	63/60/57	63/60/57
Installation	External Dimensions(W x D x H)	mm	1330 x 230 x 680	1330 x 230 x 680	1650 x 230 x 680	1650 x 230 x 680
	Shipping Dimensions(W x D x H)	mm	1425 x 305 x 779	1425 x 305 x 779	1750 x 305 x 779	1750 x 305 x 779
	Net/Shipping Weight	kg	35.8/42.1	35.8/42.1	43.5/50.5	43.5/50.5
	Refrigerant Liquid Pipe	mm	9.52	9.52	9.52	9.52
	Refrigerant Gas Pipe	mm	15.88	15.88	15.88	15.88

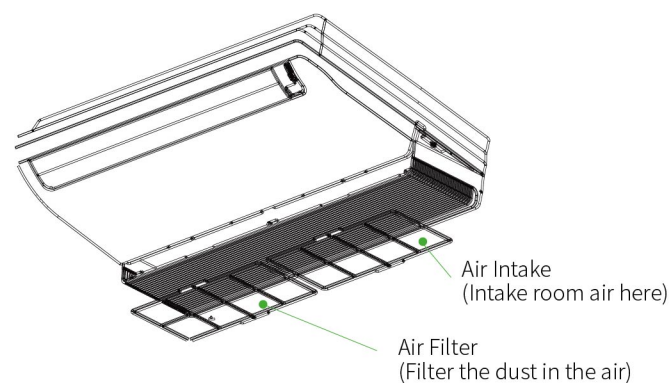


FLEX CEILING FLOOR (DC MOTOR)



Easy Service & Maintenance

- Easy removal of air filters for cleaning
- Easy access to indoor unit components
- Remote on/off function and alarm function



Available PM2.5 optional filter up to size 18, 40VFC018F7-QEE
From size 24 to 48, 40VFC054F7-QEE

Design Aesthetics

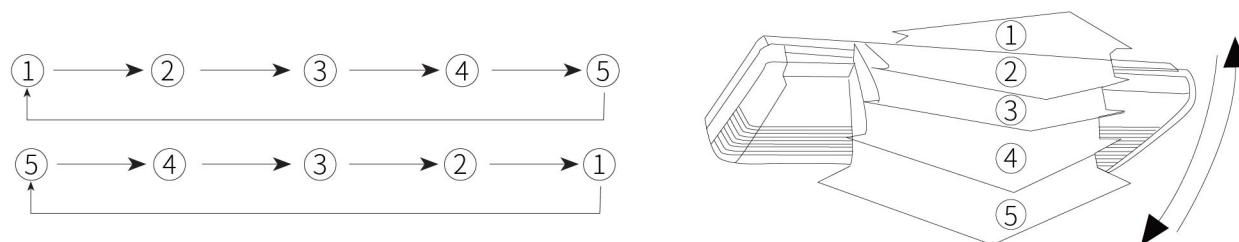
- The visually ultra thin body features wave-shaped vents on both sides that embody multiple levels of design



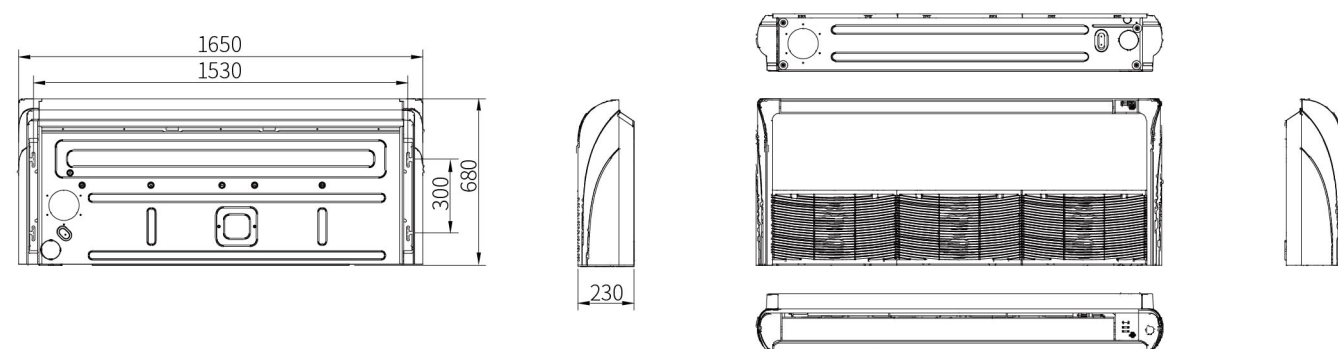
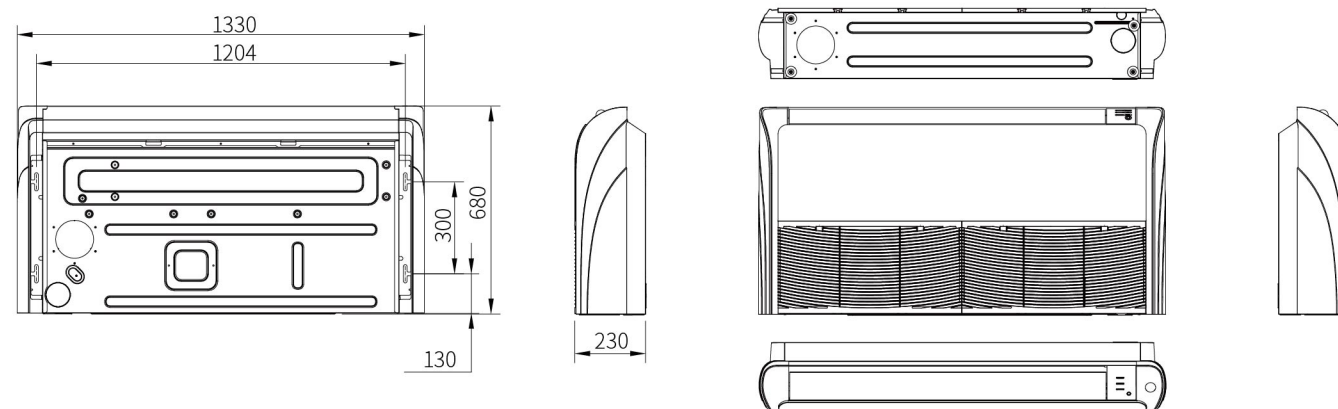
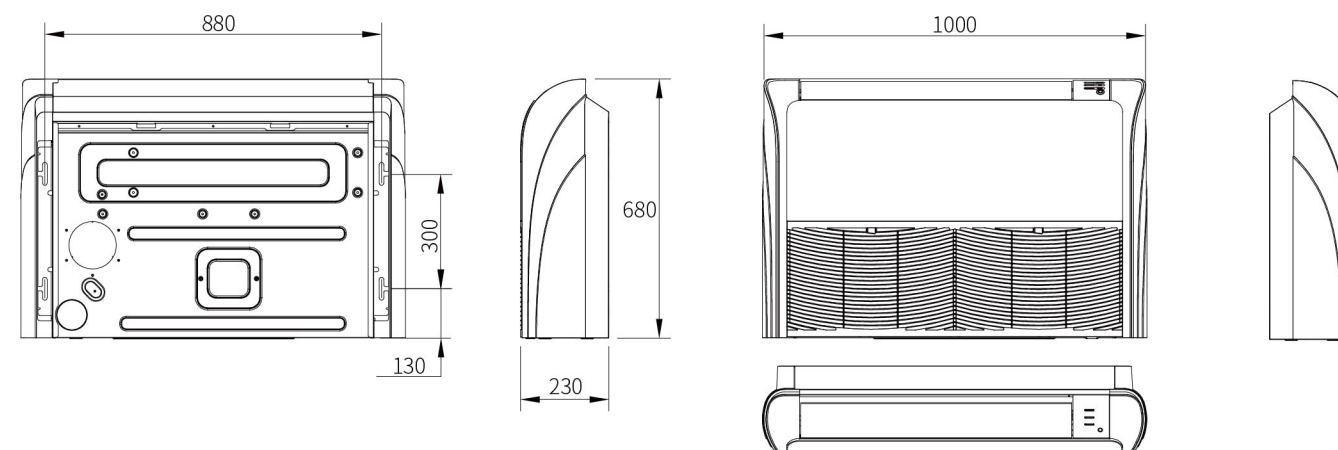
- Visually screw-free, yet easy to maintain

Multiple Air Distribution Directions

On pressing the SWING button, the flap changes between the following positions:



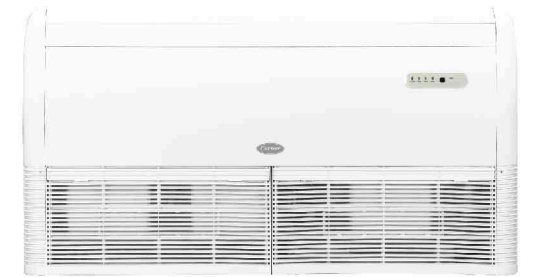
Dimensions





FLEX CEILING FLOOR (AC MOTOR)

- Flexible installation, on the floor or on the ceiling
- Slim design – 199 mm depth up to 24k
- Multiple direction for connection pipe setting
- Automatic horizontal and vertical louvers swing (size 28 to 48)



Specification

Model Code	Item	Unit	40VC009F-7G-QEE	40VC012F-7G-QEE	40VC016F-7G-QEE	40VC018F-7G-QEE	40VC024F-7G-QEE
Capacity	Cooling	kBtu/h	9.5	12.3	15.4	19.1	24.2
		kW	2.8	3.6	4.5	5.6	7.1
	Heating	kBtu/h	10.9	13.6	17.1	21.5	27.3
		kW	3.2	4.0	5.0	6.3	8.0
Electrical Parameters	Power Supply	Ph/V/Hz	1,220~230,50/60	1,220~230,50/60	1,220~230,50/60	1,220~230,50/60	1,220~230,50/60
Performance	Air Flow (H/m/l)	m ³ /h	800/710/580	800/710/580	800/710/580	800/710/580	800/710/580
	Sound Pressure Level (H/m/l)	dB(A)	38/35/33	38/35/33	40/37/35	40/37/35	40/37/35
	Sound Power Level (H/m/l)	dB(A)	51/48/46	51/48/46	53/50/48	53/50/48	53/50/48
Installation	External Dimensions(W x D x H)	mm	990 x 655 x 199	990 x 655 x 199	990 x 655 x 199	990 x 655 x 199	990 x 655 x 199
	Shipping Dimensions(W x D x H)	mm	1160 x 730 x 280	1160 x 730 x 280	1160 x 730 x 280	1160 x 730 x 280	1160 x 730 x 280
	Net/Shipping Weight	kg	28.3/34.3	28.3/36.4	28.3/36.4	28.3/36.4	28.3/36.4
	Refrigerant Liquid Pipe	mm	6.35	6.35	6.35	6.35	9.52
	Refrigerant Gas Pipe	mm	9.52	12.7	12.7	12.7	15.88

Specification



Model Code	Item	Unit	40VC028F-7G-QEE	40VC030F-7G-QEE	40VC038F-7G-QEE	40VC048F-7G-QEE
Capacity	Cooling	kBtu/h	27.3	30.7	38.2	48.0
		kW	8.0	9.0	11.2	14.0
	Heating	kBtu/h	30.7	34.1	42.6	55.0
		kW	9.0	10	12.5	16.0
Electrical Parameters	Power Supply	Ph/V/Hz	1,220~230,50/60	1,220~230,50/60	1,220~230,50/60	1,220~230,50/60
Performance	Air Flow (H/m/l)	m ³ /h	2040/1820/1610	2040/1820/1610	2040/1820/1610	2040/1820/1610
	Sound Pressure Level (H/m/l)	dB(A)	43/40/38	43/40/38	46/42/38	46/42/38
	Sound Power Level (H/m/l)	dB(A)	56/53/51	56/53/51	59/55/51	59/55/51
Installation	External Dimensions(W x D x H)	mm	1580 x 700 x 240	1580 x 700 x 240	1580 x 700 x 240	1580 x 700 x 240
	Shipping Dimensions(W x D x H)	mm	1720 x 800 x 330	1720 x 800 x 330	1720 x 800 x 330	1720 x 800 x 330
	Net/Shipping Weight	kg	50/57	50/57	54/61	54/61
	Refrigerant Liquid Pipe	mm	9.52	9.52	9.52	9.52
	Refrigerant Gas Pipe	mm	15.88	15.88	15.88	15.88

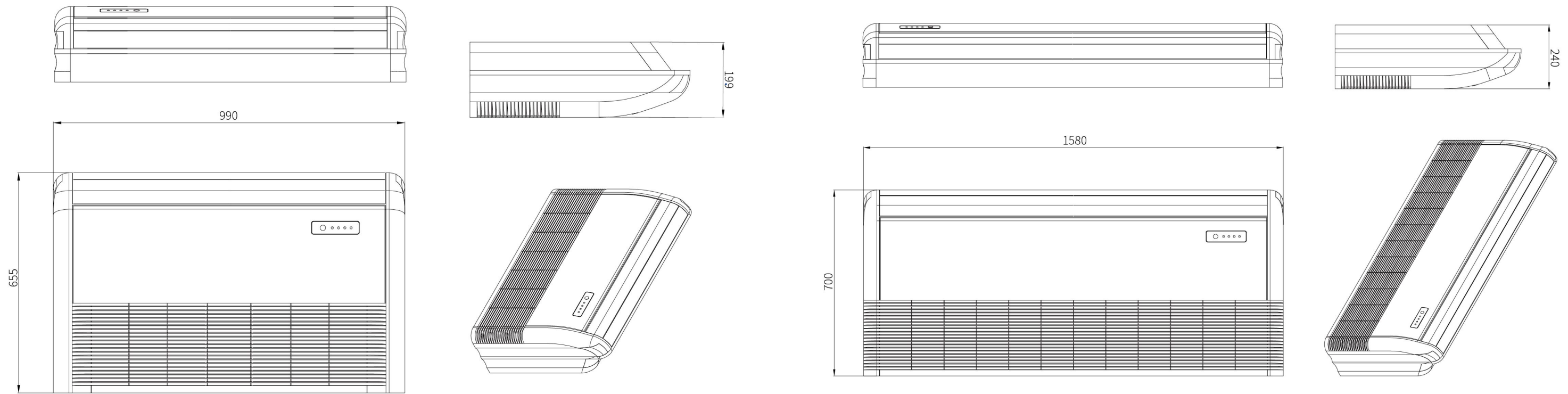


FLEX CEILING FLOOR
(AC MOTOR)

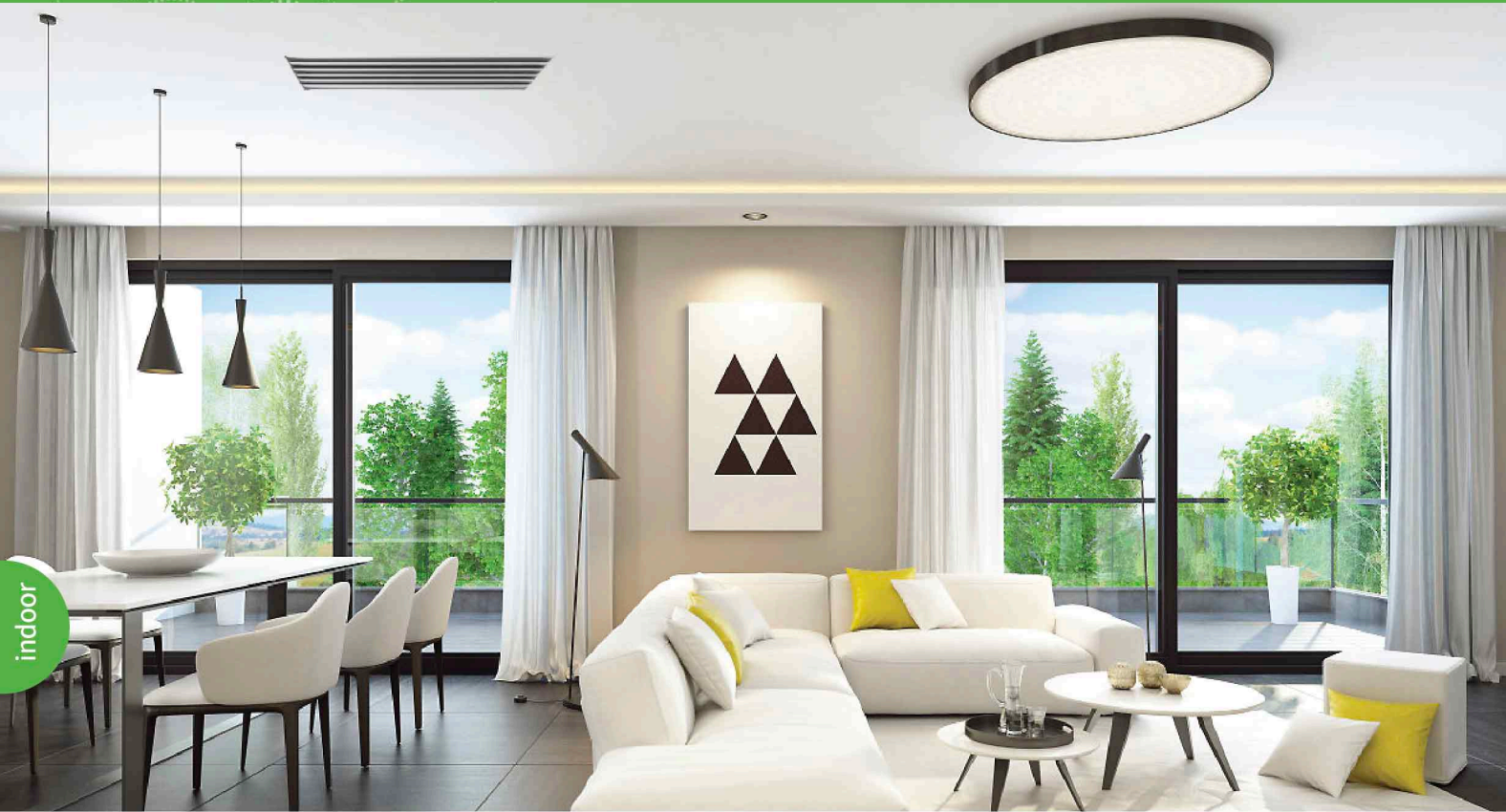


indoor

Dimensions







Specification



Model Code	Item	Unit	40VD048A-7G-QEE	40VD072A-7G-QEE	40VD096A-7G-QEE
Capacity	Cooling	kBtu/h	47.7	77.1	95.5
		kW	14	22.6	28
	Heating	kBtu/h	30.4	51.8	60.8
		kW	8.9	15.2	17.8
Electrical Parameters	Power Supply	Ph/V/Hz	1/220-230/50/60	1/220-230/50/60	1/220-230/50/60
Performance	Air flow (H)	m ³ /h	1600/1460/1070	2300/1900/1320	2800/2400/1820
	Sound Pressure Level (H/m/l)	dB(A)	48/47/42	55/53/50	55/54/52
	Sound Power Level (H/m/l)	dB(A)	61/60/56	68/65/60	68/66/62
Installation	External Dimensions(W x D x H)	mm	1355 x 876 x 360	1725 x 876 x 360	1725 x 876 x 360
	Shipping Dimensions(W x D x H)	mm	1386 x 966 x 418	1830 x 990 x 530	1830 x 990 x 530
	Net/shipping Weight	kg	69/74	100/127	101/128
	Refrigerant Liquid Pipe	mm	9.52	9.52	9.52
	Refrigerant Gas Pipe	mm	15.88	25.4	25.4
	Static Pressure (Standard/Max.)	Pa	100/185	100/200	100/200

OUTSIDE AIR UNIT



- AC Motor
- Rear air return with plenum
- Flexible discharge duct connection
- Static pressure setting 100-185 or 200 Pa
- 8 models ranging from 5.6 kw to 28 kw
- Three models can be installed with indoor unit from 14~28 (kW) to provide 100% outside air or in combination with other VRF indoor units(up to 30% outside air)-connection ratio 80 to 100%
- Optional drain pump 700 mm pump head 40VAD096P7FQEE



Note: Not compatible with SD ODU

The Matching Rule of Outside Air Unit

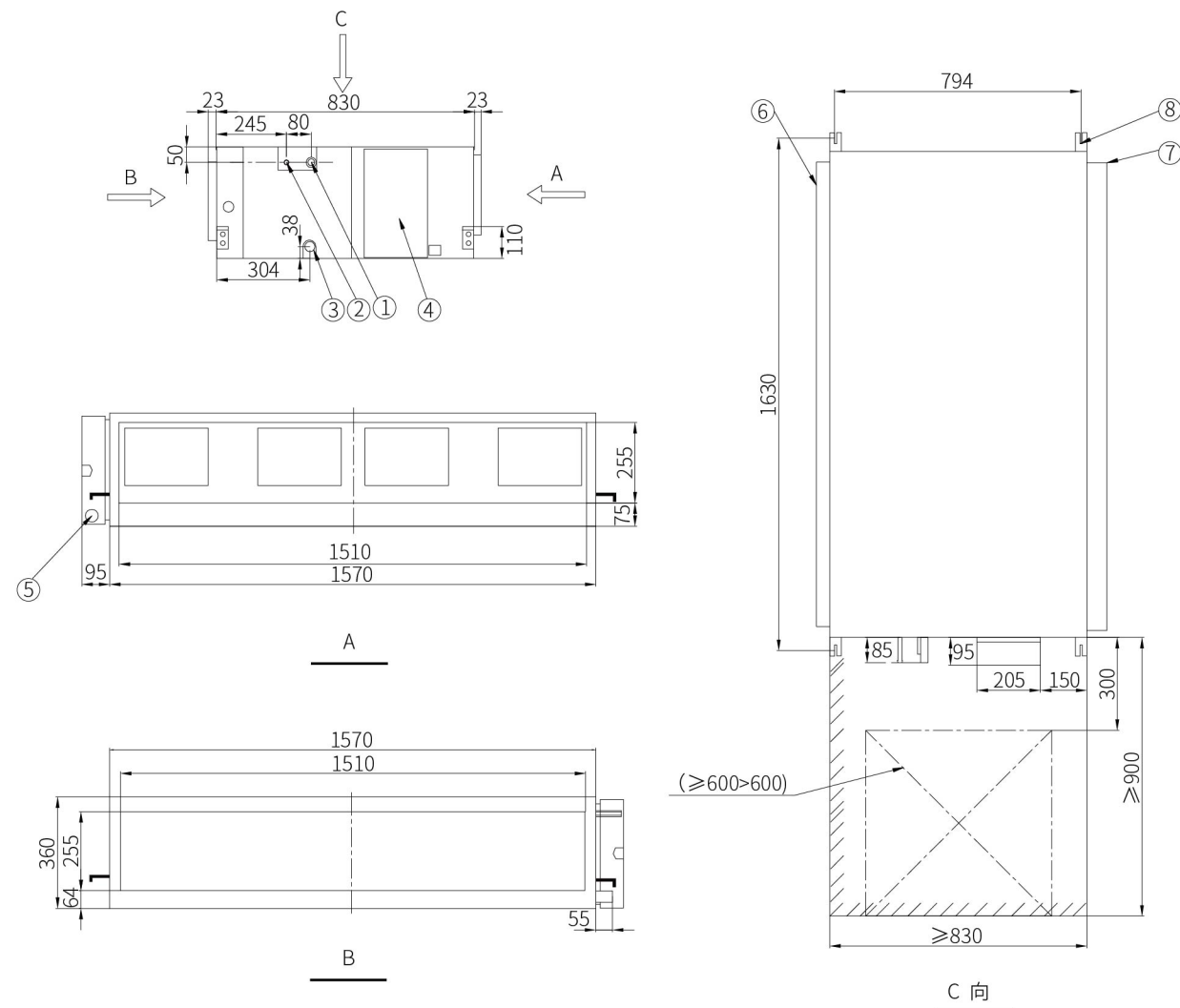
Duct Fresh Air Unit	Connection Method	Quantity Of Outside Air Unit	Outdoor Unit Selection
40VD048A-7G-QEE	Outside air unit only	2	10 HP
	Together with VRF indoor units	1	Minimum outdoor capacity 18 HP
40VD072A-7G-QEE	Outside air unit only	1	8 HP
	Together with VRF indoor units	1	Minimum outdoor capacity 28 HP
40VD096A-7G-QEE	Outside air unit only	1	10 HP
	Together with VRF indoor units	1	Minimum outdoor capacity 34 HP



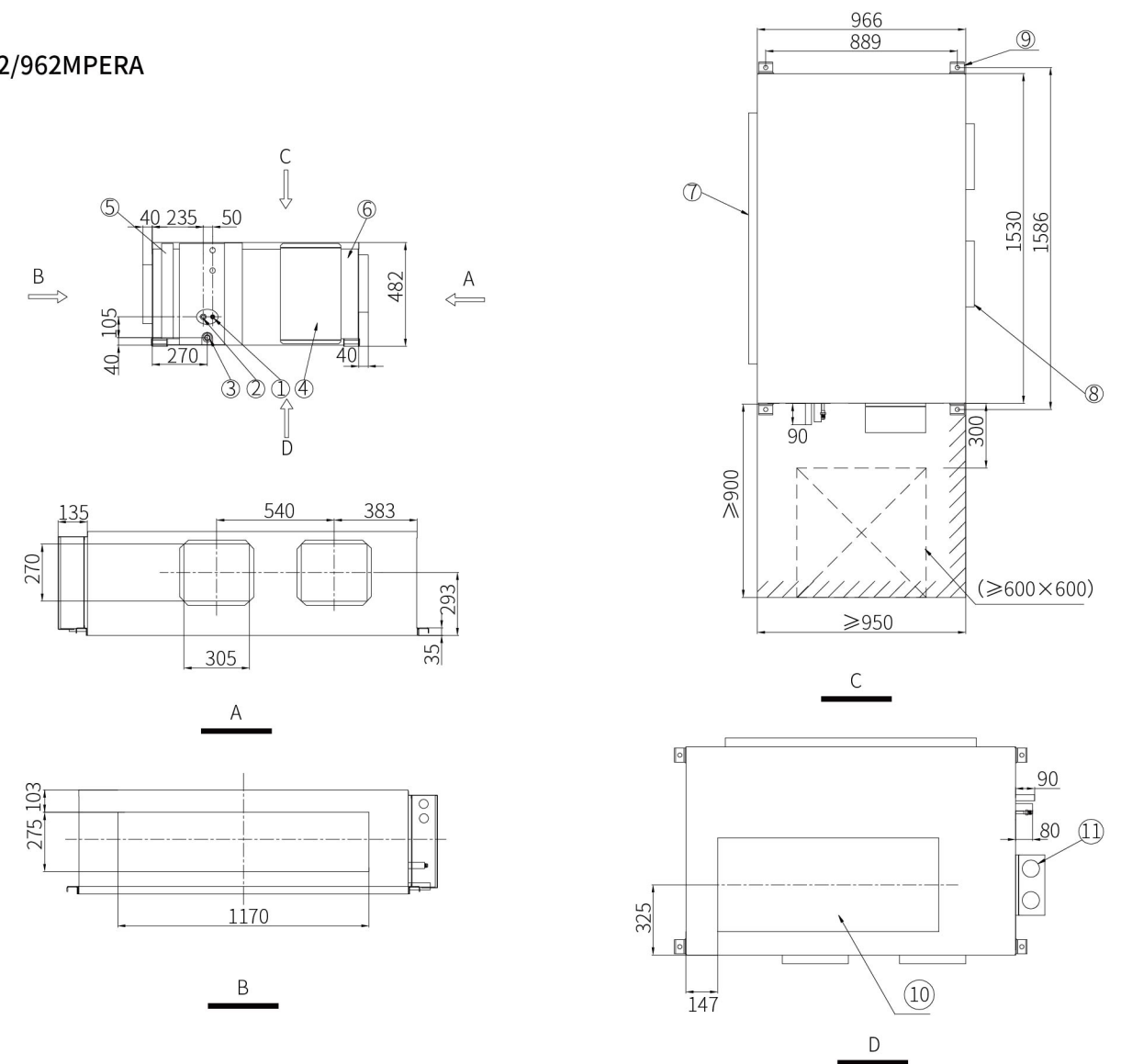
OUTSIDE AIR UNIT

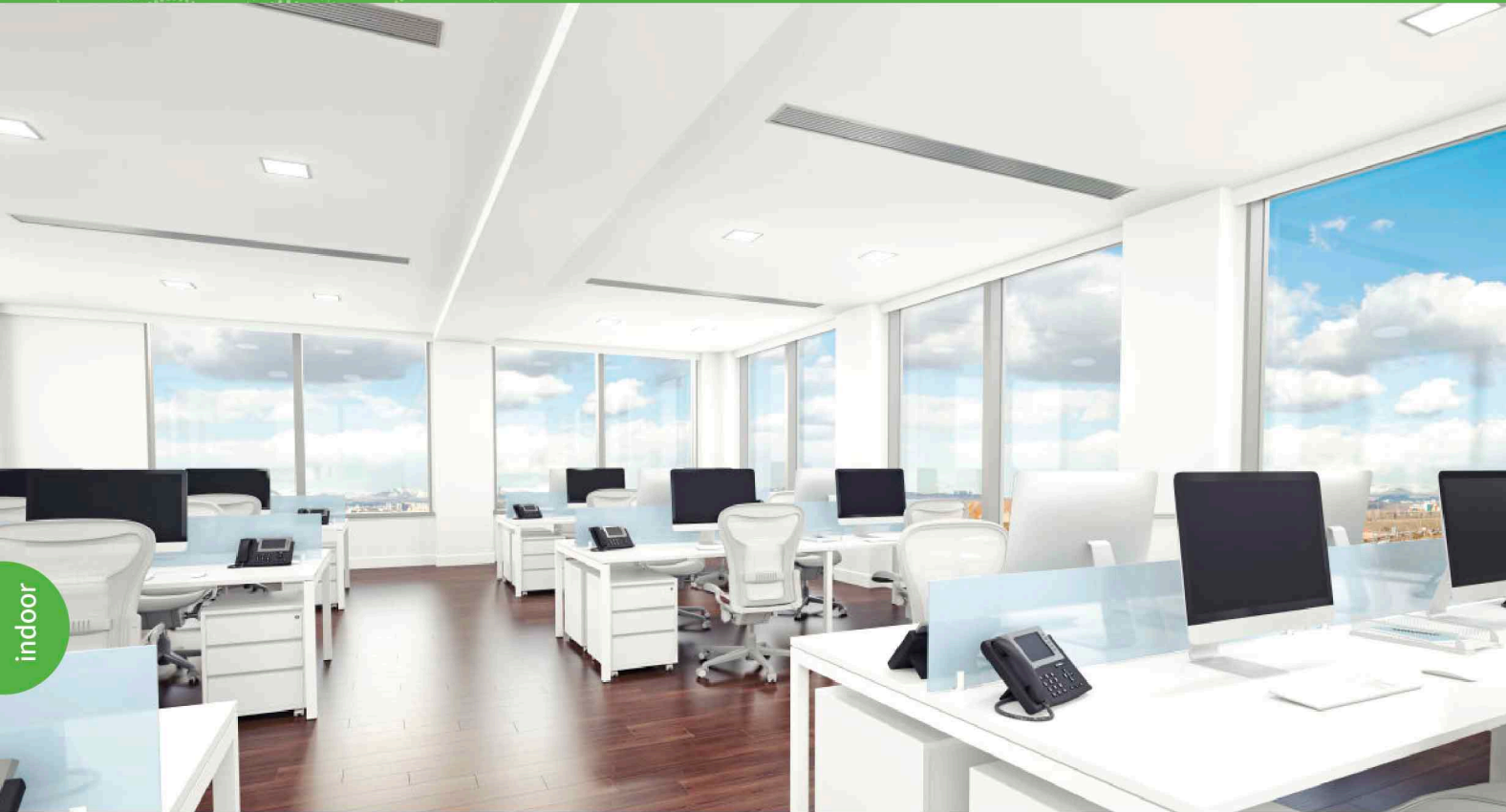


Dimensions AD482MPERA



AD722/962MPERA





indoor

Specification

Mode Code	Item	Unit	40VH015A-7G-QEE	40VH026A-7G-QEE	40VH050A-7G-QEE	40VH080A-7G-QEE	40VH100A-7G-QEE
Electrical Parameters	Power Supply	Ph/V/Hz	1/220-230/50/60	1/220-230/50/60	1/220-230/50/60	1/220-230/50/60	1/220-230/50/60
	Rated Power Input	KW	0.1	0.12	0.36	0.36	0.36
	Rated Current	A	0.55	0.55	1.65	1.65	1.65
Performance	Air Flow (H)	m ³ /h	150	260	500	800	1000
	Sound Pressure Level (H/l)	dB(A)	44/43	44/43	57/55	57/55	57/55
	Sound Power Level (H/l)	dB(A)	55/54	55/54	68/66	68/66	68/66
Installation	External Dimensions(W x D x H)	mm	940 x 685 x 276	940 x 685 x 276	1227 x 1115 x 387	1227 x 1115 x 387	1227 x 1115 x 387
	Shipping dimensions(W x D x H)	mm	1013 x 773 x 345	1013 x 773 x 345	1465 x 1213 x 430	1465 x 1213 x 430	1465 x 1213 x 430
	Net/Shipping Weight	kg	28.7/31.2	28.7/31.2	85.5/90.6	85.5/90.6	85.5/90.6
	Static Pressure	Pa	80	60	150	120	100

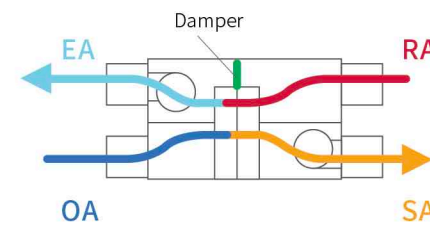
HRV



- Five models ranging from 150 CMH to 1000 CMH
- Efficient heat recovery air processing
- Efficiency up to 78% on temperature exchanger & 65% on enthalpy (cooling)
- Independent 220V power supply
- Can run in slight overpressure or underpressure mode

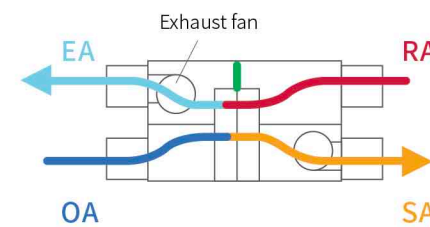
Note: This unit doesn't require refrigerant connection

Air to Air Heat Exchanger Process Patterns



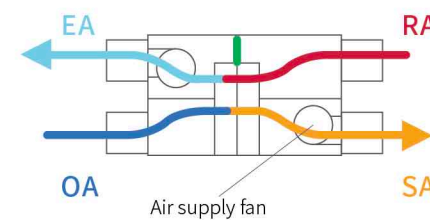
Heating Mode

Outdoor cold air and hot return air cross through the heat recovery element. The unit blows warmer air inside the ducts to the room.



Cooling Mode

Outdoor hot air and cold return air cross through the heat recovery element. The unit blows cooler air inside the ducts to the room.



Free Cooling Mode

Outdoor air passes without heat recovery treatment..

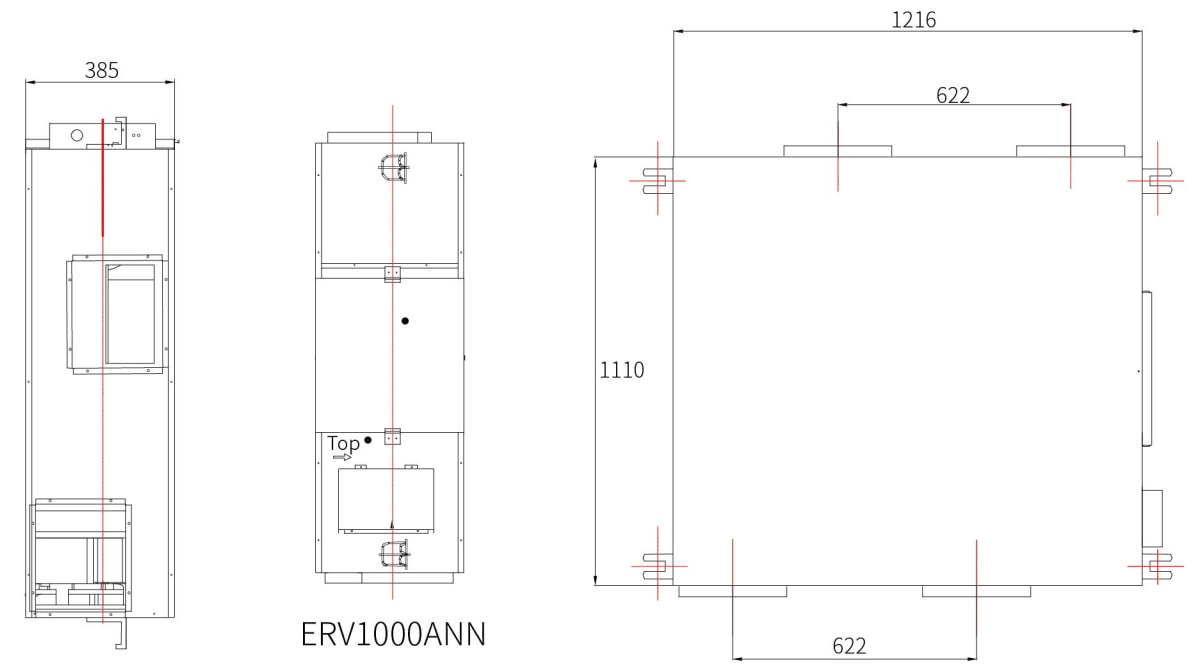
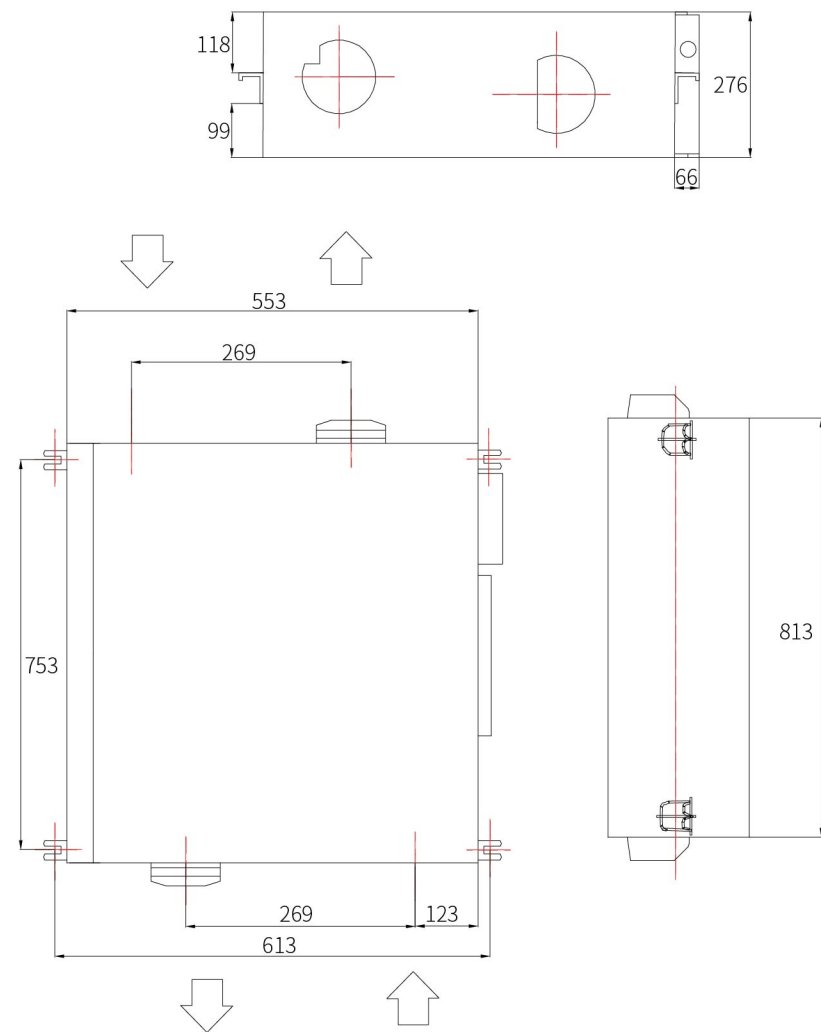


HRV



indoor

Dimensions





CONTROLLER

149 INDIVIDUAL CONTROLLER

151 CENTRALIZED CONTROLLER

155 BMS

CONTROLLERS

Individual Controller Features

Item	Infrared Controller	Wired Controller	Wired Weekly Time Controller	Wired Simple Controller	Remarks
Model	40VC157FQEE	40VCW217FQEE	40VCW317FQEE	40VCW117FQEE	
picture					
Dimensions (W*H*D) mm	180 x 54.3 x 28	86 x 86 x 13.8	120 x 120 x 17.8	86 x 86 x 15.8	
Power Supply	Battery	12 V AC	12 V AC	12 V AC	
Connectivity	Max. IDUs Controllable	1	16	16	
	Max. Groups Controllable	1	1	1	
Basic Control Function	On/Off	●	●	●	
	Mode Setting (Auto-Heat-Cool-Fan-Dry)	●	●	●	
	Fan Speed Adjustment	●	●	●	
	Temperature Setting	●	●	●	
	Airflow Direction — Up & Down	●	●	●	
	Airflow Direction — Left & Right	●	●	●	Whether the function is available depends on Indoor units.
	Precise Temp. Control	+/-0.5°C	+/-0.5°C	+/-0.5°C	+/-0.5°C
Display	°F/°C	●	●	●	
	Set-point Temp. Display	●	●	●	
	Real Time Clock	●	●	●	/
	Day	/	/	●	/
	IDU Status Display, Including Qty Online, Standby or Running	/	/	●	/
Advanced Function	Backlight	/	●	●	
	Sleep	●	●	●	/
	Child Lock	/	●	●	●
	Quiet	●	●	●	/
	Turbo	●	●	●	/
	Round-Way Cassette Blade Adjustment	●	●	●	/
	Human Sensor Function	●	●	●	/
	Electric Heater	●	●	●	/
	Control Lock (Under Central Controller)	/	●	●	●
	Temp. Range Limitation (For Energy Saving)	/	●	●	●
	Temp. Compensation	/	●	●	●
	Forced Cooling/Heating	/	●	/	●
	Screen Saving	/	●	●	●
	Screen Brightness Adjustment	/	/	●	/
Schedule/Timer	10°C Heating	●	●	/	
	Timer On/Off	●	●	●	/
Installer Info.	Weekly Schedule	/	/	●	/
	Forced Defrost	/	●	●	/
	Error Code	/	●	●	●
	Filter Clean Indicator	/	●	●	●
	ESP Grades Adjustment	/	●	●	/
	Installer Setting	/	●	●	/
	Service Help	/	/	●	/
	Password	/	/	●	/
	Parameter Check	/	●	●	●
	Unit No. Setting	/	●	●	●
Schedule/Timer	Non Volatile Memory (Power Off Memory)	/	●	●	
	Sensor Error Display	/	●	●	

● With this function / Without this function

Centralized Controller & Local BMS Features

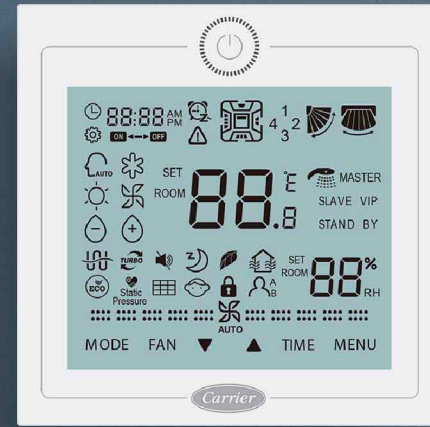
	40VCC317FQEE	40VCC617FQEE	40VCB117FQEE	40VCB217FQEE
Picture				
Dimensions (W*H*D)(mm)	120 x 120 x 17.8	190 x 130 x 20	/	137.25 x 260.5 x 69.2
Power Supply	12 V DC	12 V DC	/	AC 110~240
Connectivity	Max. Controllable IDUs	32	256	400
	Max. ODUs System (Max. Gateway Qty)	8	32	32
Screen	Screen Type	TFT LCD	TFT LCD	/
	Screen Dimension	4.3	7"	/
	Button Type	Touch Button	Touch Screen Button	/
	Backlight	●	●	/
	Screen Saver	●	●	/
Display	Screen Brightness Adjustment	●	●	/
	Indoor Temperature	●	●	●
	Clock And Day	●	●	●
	°C/°F Switch	/	●	●
Standard Control Function	General IDU Status Statistics Display	/	●	/
	On/Off	●	●	●
	Mode (Auto-Cool-Dry-Heat-Fan-Auto)	●	●	●
	Temperature Setting	●	●	●
	Precise Temp. Control 1°C/0.5°C	±1°C	±1°C	±1°C/±1°F
Central Control	Fan Speed (Auto-Low-Mid-High)	●	●	●
	Group (Zone) Control	●	●	●
	One Button For All On/Off	/	●	●
	Group (Zone) Name Setting	●	●	●
Schedule	Group (Zone) Name Display	●	●	●
	Daily	●	●	●
	Weekly	●	●	●
	Special Day	/	●	●
	Schedule Programs Qty	16	32	No Limit
Electricity Data Management	Electricity Bill	/	/	●
	Historical Electricity Data	/	/	●
	Historical Electricity Data Curve	/	/	●
Advanced Function	Child Lock	●	●	/
	Control Mode (LIFI/Central/Lock)	●	●	●
	ECO (Set temp. Range Limit)	●	●	●
	Unit/Groups Setting	●	●	●
	IDU No. Display	●	●	●
	Unit Running Time Display	●	●	●
	Unit Running Curve	/	/	/
	IDU Parameter Display	●	●	●
	Working Mode (Cool Only/Heat Only/No Limit)	/	●	●
	Floor Layout (Floor Navigation)	/	/	●
HRV Control	HRV ON/OFF	●	●	/
	HRV Fan (Low Air Exchange-High Air Exchange-Low-High)	●	●	/
Installer Info.	Password	●	●	●
	Error Code	●	●	●
	Error Record Check	●	●	●
	Parameter Inquiry	●	●	●
	Reset	●	●	●
User Account Management	Detailed IDU Parameters Display	/	/	●
	User Info.	/	/	●
Control Type	User Account Management Level	/	/	●
	Local Control Panel	●	●	●
Communication	PC Version	/	/	●
	Input	RS-485 1CH	RS-485 1CH	RS-485 1CH
	Output	/	RS-485 1CH	RS-485 1CH
	Fire Alarm Linkage	●	●	/
Protocol	/	Modbus Rtu	Modbus Rtu	Modbus IP or Bacnet IP

● With this function / Without this function

Adapters & BMS Gateway Features

Model		40VCBM17FQEE	40VCCR17FQEE	40VCBL17FQEE	40VCBK17FQEE 40VCBK27FQEE 40VCBK37FQEE	40VCBB17FQEE
Protocol		Modbus Rtu	Modbus Rtu	Lonworks	KNX	Bacnet IP
Picture						
Power Supply		220 VAC	With 12V DC transformer	24 VDC	29V DC	AC and DC rated voltage 24 V, working range 12 V to 24 V
Dimension (W*H*D)		200 x 130 x 43	125 x 120 x 40	90 x 70 x 22	70 x 70 x 28	142 x 91 x 35
Communication Port-Input	AC Port (PQ Connection)	1	1			
	RS485			1ch	1ch	2ch
	Pulse Port	1				
Communication Port-Output	RS485	1ch (3rd party Or 40VCB117FQEE, 40VCB217FQEE)	RS485 2ch (for central controller or 3rd party 1ch; for 40VCB117FQEE, 40VCB217FQEE)			
	RS485 For Lonworks Protocol Device			1ch		
	Bacnet IP					1
	KNX				KNX port plug-in terminal block(2 poles)	
Operation Temp.		-30-52°C	-20-70°C	-20-70°C	0-60°C	-20-70°C
Stock Temp.		-30-52°C	-40-85°C	-40-85°C	-20°C-85°C	-40-85°C
Operational Humidity		10%-85%	5-90% (non-condensing)	5-90% (non-condensing)	<90%,RH, non-condensing	5-90% (non-condensing)
Stock Humidity		10%-85%	5-95% (non-condensing)	5-95% (non-condensing)	<90%,RH, non-condensing	5-95% (non-condensing)
Function Description		Converter homebus to Modbus And Electricity collection and distribution function must connect this adapter.	Converter homebus to Modbus	Works with 40VCCR17FQEE to converter Modbus to Lonworks	Works with 40VCCR17FQEE to converter Modbus to KNX	Works with 40VCCR17FQEE to converter Modbus to Bacnet IP





INDIVIDUAL CONTROLLER



40VCI57FQEE Wireless Remote Controller

- Basic function: On/off, mode, fan speed, temperature setting, swing
- Turbo, quiet
- Individual louver control for MINI 4-way cassette and Round Flow 4-way cassette
- Clock & timer
- Follow/evade function
- Celsius to fahrenheit



40VCW117FQEE Simple Wired Controller

- Alternating current
- Basic function: on/off, mode, fan speed, temperature
- Individual & group control (max 16 indoor units)
- Simple and smart design, 86*86*14.80 mm
- Could receive wireless controller signal



40VCW217FQEE Standard Wired Controller

- Basic function: on/off, mode, fan speed, temperature setting, swing
- Individual & group control (max. 16 indoor units)
- Simple and smart design, 86*86*13.05 mm
- Touch button with back light
- Timer/clock
- Easy installation
- Individual louver control for MINI 4-way cassette and Round Flow 4-way cassette



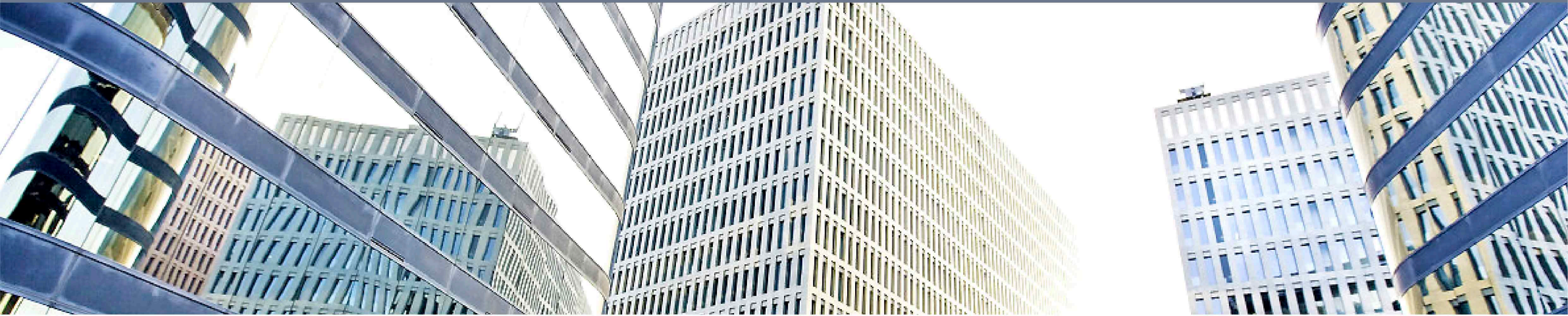
40VCW317FQEE Wired Weekly Timer

- Colorful screen
- Basic function: On/off, mode, fan speed, temperature setting, swing
- Individual & group control (max 16 indoor units)
- Fahrenheit/ Celsius selectable; sensitivity $\pm 0.5^{\circ}\text{C}$ ($\pm 1^{\circ}\text{F}$)
- Weekly timer
- Individual louver control for MINI 4-way cassette and Round Flow 4-way cassette
- Static pressure setting

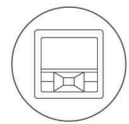


40VCIR7FQEE Infrared Receiver

- For Duct Units



controller



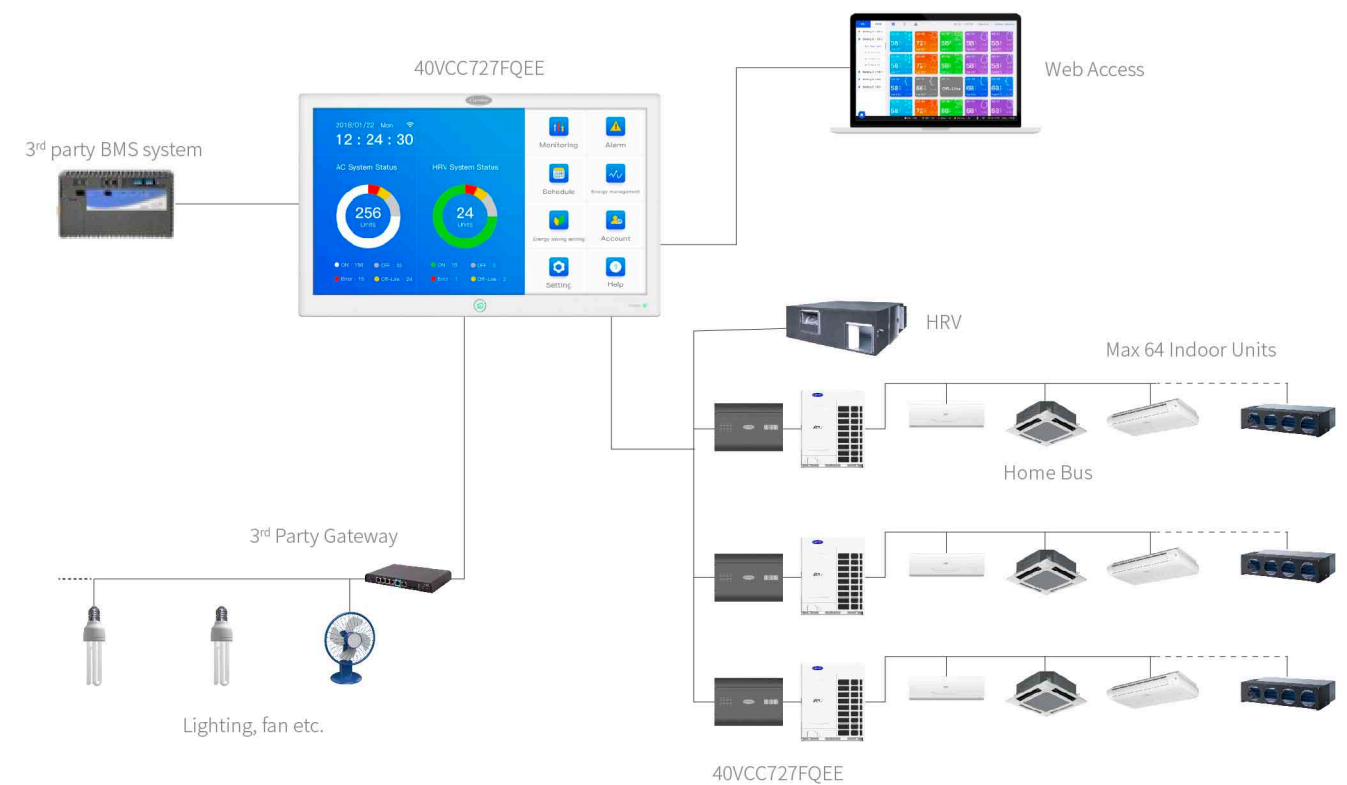
CENTRALIZED CONTROLLER

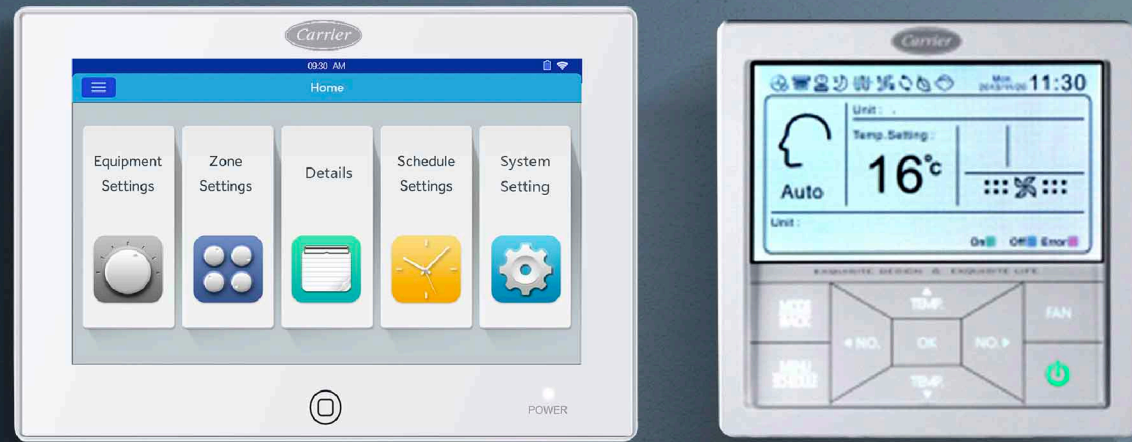
40VCC727FQEE



40VCC727FQEE
Touchscreen Controller coming soon

- Individual control, Group control & Central control (Max 512 indoor units)
- 12.5 inch TFT LCD touch screen
- Multi-language English, French, Spanish, Italian, Russian
- Web access & e-mail alarm
- Weekly schedule & special day setting
- Floor plan layout view
- Can integrate 3rd party devices like fire alarm, fan, lighting, other than XCT 7 IDU
- *Must be used in combination with a 40VCCX17FQEE for each XCT 7 system (Max. 64 IDU)





controller

CENTRALIZED CONTROLLER



40VCC317FQEE Simple Group Controller

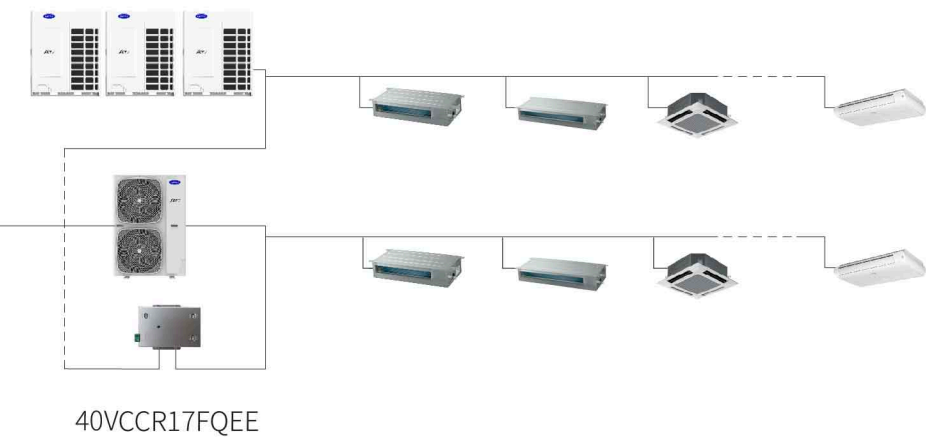
- Individual control, group control & central control (max. 32 indoor units)
- Large touch key
- Weekly timer
- Unit name & group name free setting, four backgrounds available (mall, hotel, office, home)
- Error display
- Must be used in combination with 40VCCR17FQEE for each SD ODU

40VCC617FQEE System



40VCC617FQEE Touchscreen Controller

- Individual control, group control & central control (Max. 256 indoor units)
- 7 inch TFT LCD touch screen with back light
- Weekly timer
- Indoor units' information editable
- Error display
- XCT 7 TD system can connect directly; other SD systems require 40VCCR17FQEE





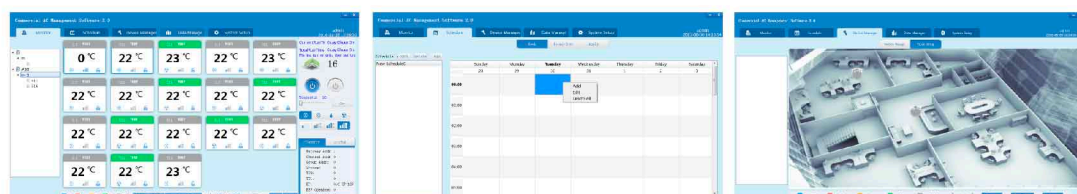
controller

BMS - LOCAL CONTROL

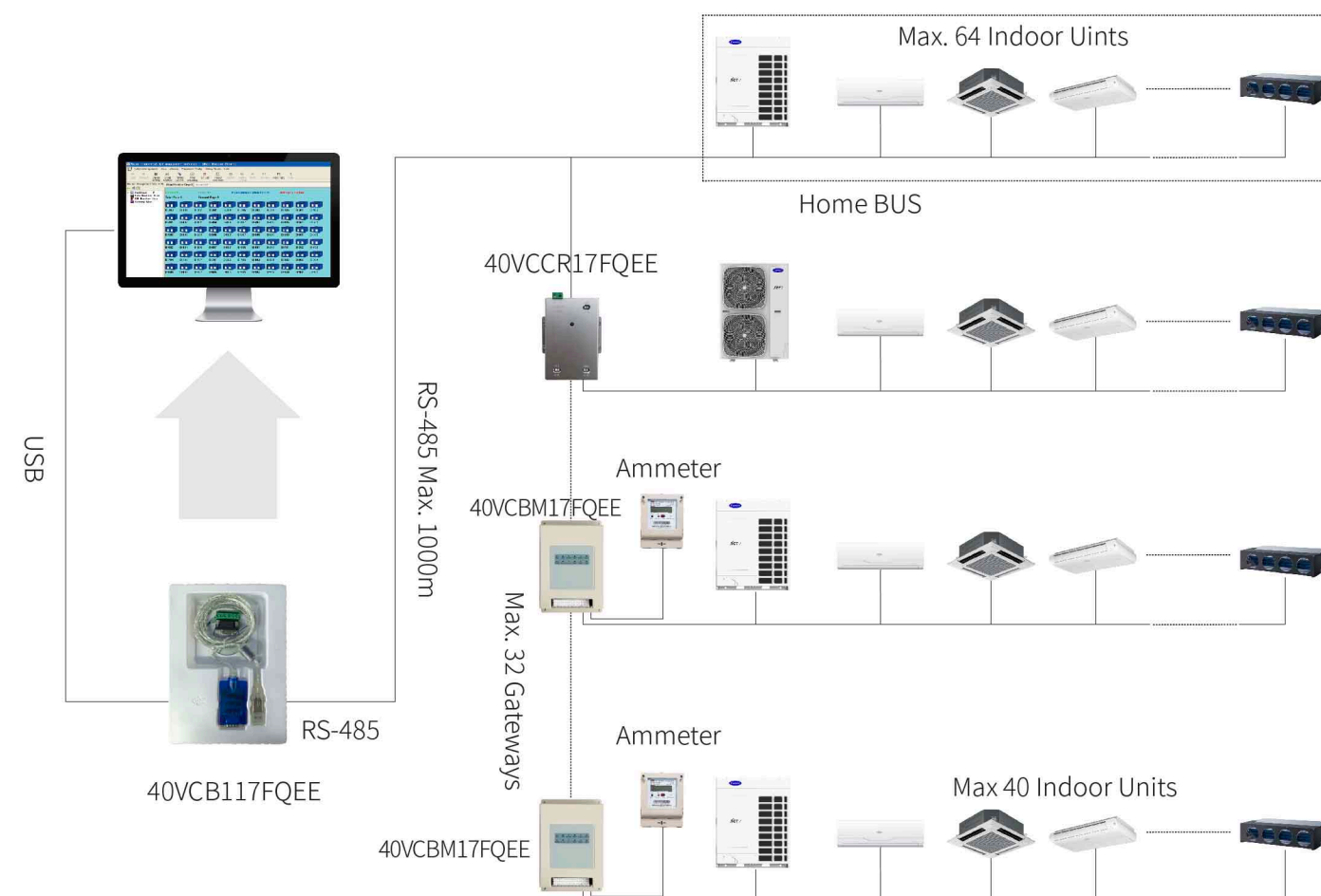


40VCB117FQEE

- Local version or PC version; Convert RS-485 to USB
- Max. 400 indoor units can be controlled
- ModBus RTU interface, also supports 3rd party interface
- Win 7 32bits/64bits, Win 8 Pro, Win 10 Pro
- Max. 32 systems
- Each SD system requires one 40VCCR17FQEE
- Schedule setting
- Power consumption report (must use 40VCBM17FQEE)
- Data monitoring & control function



40VCB117FQEE System





controller

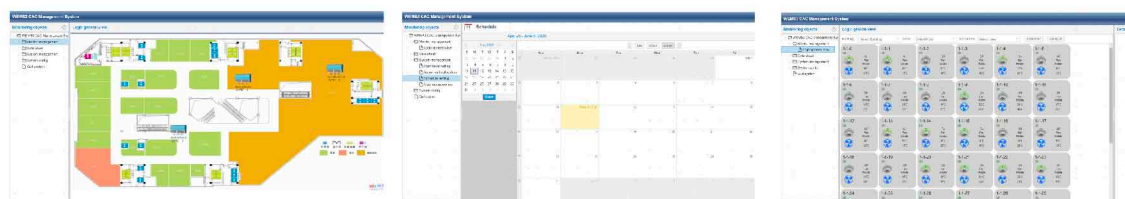
BMS

BMS - REMOTE MONITORING

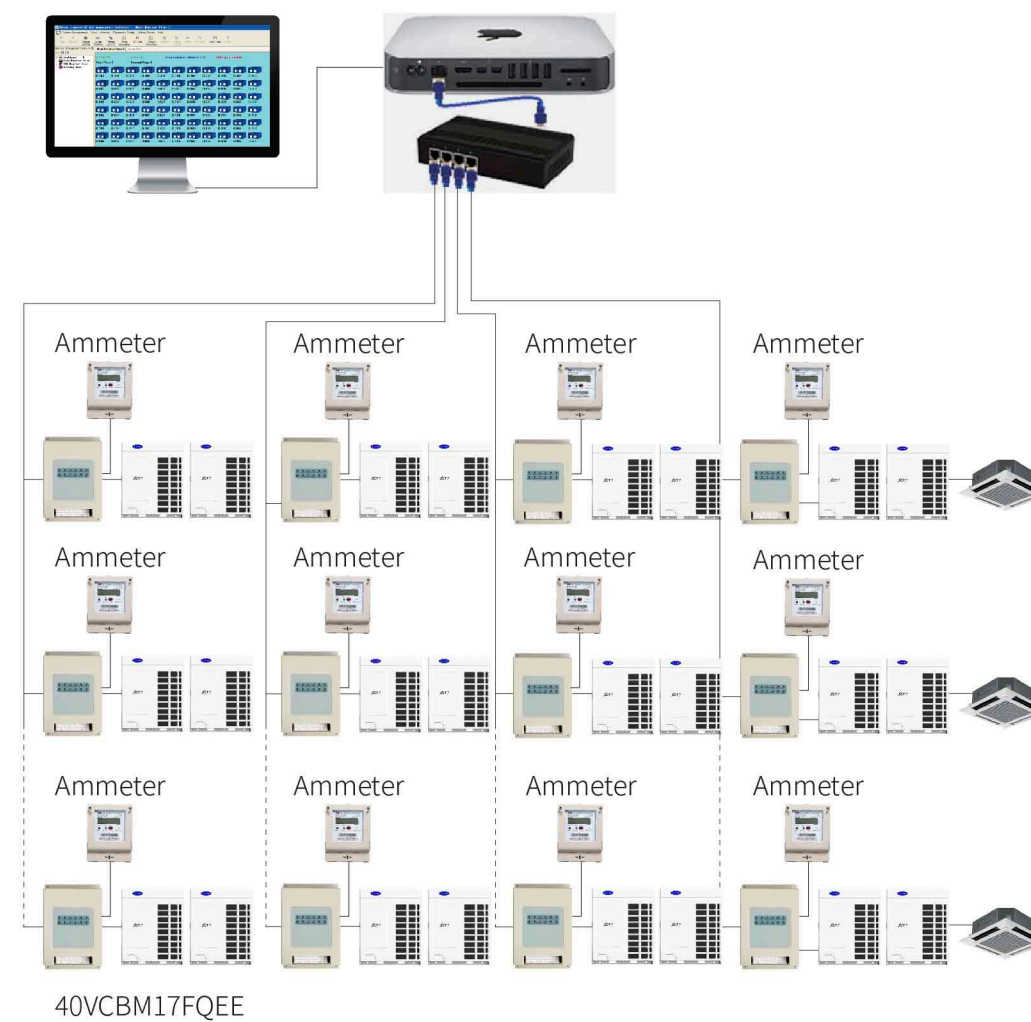


40VCB217FQEE

- Remote monitoring version supports also third party interface: BACnet ip/Modbus ip/Modbus RTU
- Max. 1500 indoor units can be controlled
- Max. 4 groups. each group can connect 20 systems. If TD CDU, additional adapter is not required. If SD ODU, 40VCCR17FQEE is needed.
- Operation status setting & monitoring
- Schedule setting
- Multi-user management with different authorized levels
- Operation and error history log
- Web interface access
- Power consumption data & report only available if using 40VCBM17FQEE + Ammeter

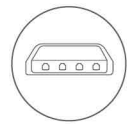


40VCB217FQEE System





controller



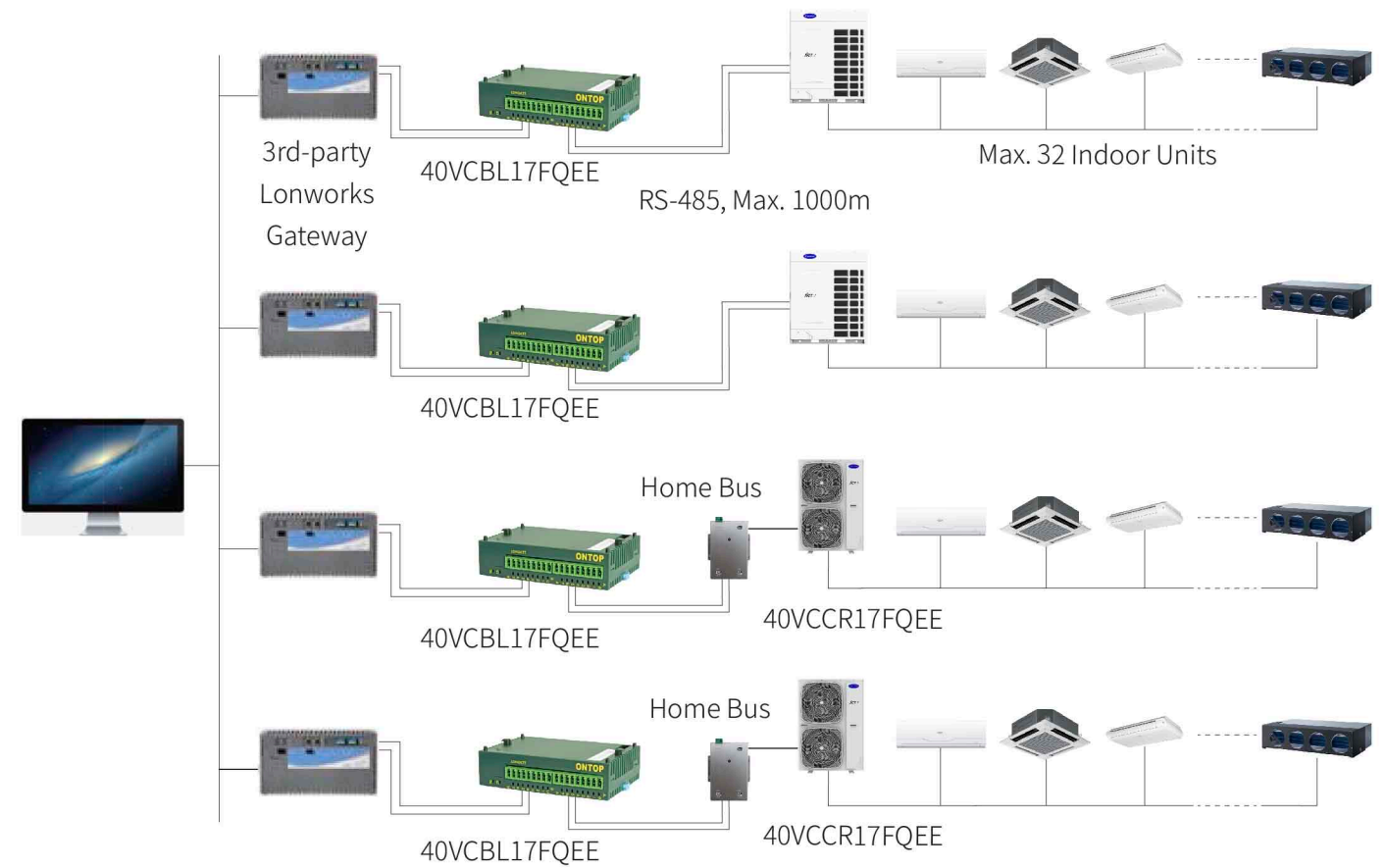
BMS PROTOCOL ADAPTERS



40VCBL17FQEE

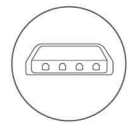
- 40VCBL17FQEE, convert ModBus RTU to Lonworks
- Each system requires one adapter 40VCBL17FQEE (combine with 40VCCR17FQEE if outdoor is SD XCT7)
- Max. 32 indoor units can be connected in one system
- External 24 V DC power supply is needed

LonWorks System





controller



BMS PROTOCOL ADAPTERS



40VCBK17FQEE(8 IDU) 40VCBK27FQEE(16 IDU)
40VCBK37FQEE(64 IDU)

- KNX gateway
- Convert modbus to KNX
- Each SD ODU requires one KNX gateway + 40VCCR17FQEE
- Max.8/16/64 indoor units can be connected in one system



40VCCR17FQEE

- Protocol adapter, convert home bus to RS-485
- Gateway: ModBus RTU
- Max. 64 indoor units can be connected with one 40VCCR17FQEE
- SD XCT 7 requires one 40VCCR17FQEE when connecting with centralized controller or BMS system

Modbus model No.	No. of I.U. controllable	Installation Method	Compatible O.U. Type
40VCCR17FQEE	64	Outside the O.U.	Side and Top discharge O.U.



40VCBM17FQEE

- Protocol adapter, convert home bus to ModBus
- Power consumption data collection, calculation, allocation and storage (requires 3rd party ammeter)
- Match with BMS (40VCB117FQEE,40VCB217FQEE), each system requires one adapter
- Max. 40 indoor units can be connected with one 40VCBM17FQEE Gateway

Controllers Match Table for Indoor Units

Outlook	Series	YR-HBS01	HW-BA116ABK	YR-E17	YR-E16B
	ONE-WAY CASSETTE	●	●	●	●
	TWO-WAY CASSETTE	●	●	●	●
	COMPACT FOUR-WAY CASSETTE	●	●	●	●
	FOUR-WAY CASSETTE	●	●	●	●
	ROUND-WAY CASSETTE	●	●	●	●
	SLIM DUCT	●	●	●	●
	STANDARD STATIC DUCT 50/100 Pa	●	●	●	●
	MEDIUM STATIC DUCT 80/120 Pa	●	●	●	●
	HIGH STATIC DUCT 100/196 Pa	●	●	●	●
	HIGH STATIC DUCT 0/200 Pa	●	●	●	●
	HIGH WALL	●	●	●	●
	TWO-WAY CONSOLE	●	●	●	●
	CONSOLE-RECESSED	●	●	●	●
	FLEX CEILING FLOOR AC	●	●	●	●
	FLEX CEILING FLOOR DC	●	●	●	●
	OUTSIDE AIR UNIT		●	●	●

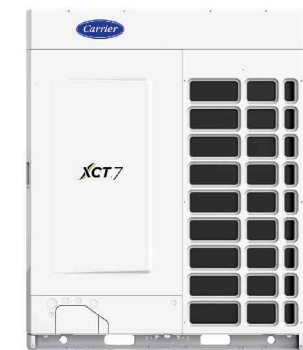
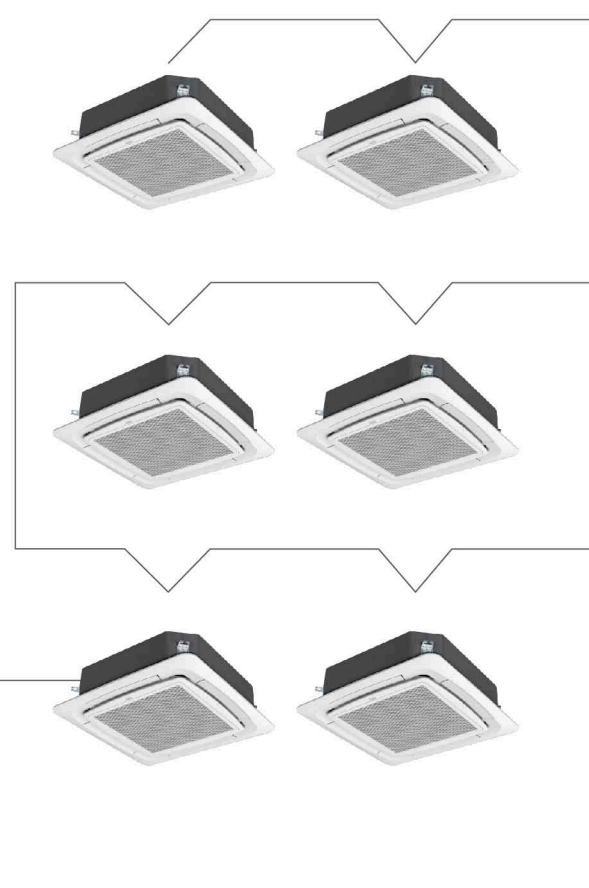
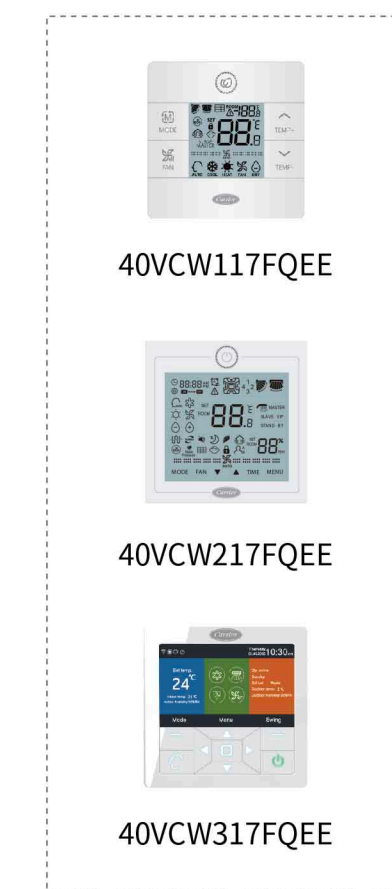
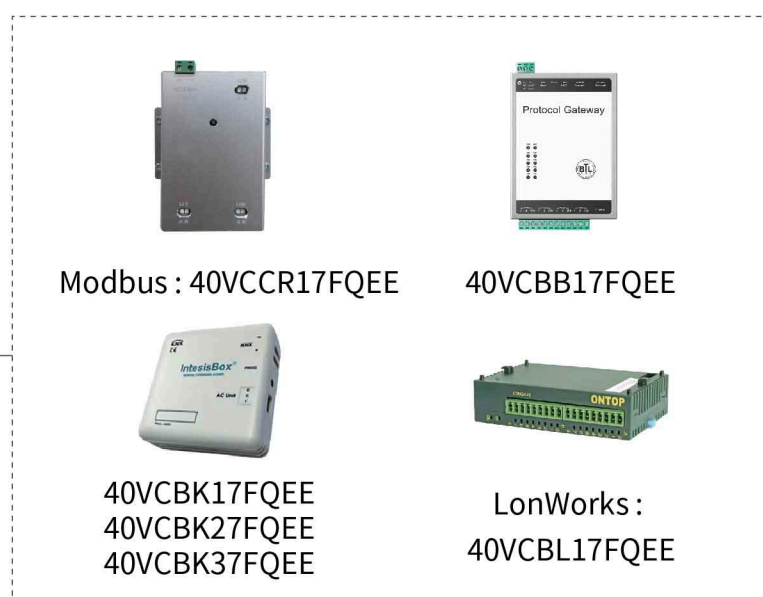
● Controllers match with the indoor unit

Control Systems

BMS

Centralized Controller

Individual Controller



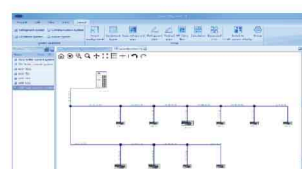
Softwares

Carrier Selection Software-easy to Design and Customization

With the Carrier XCT7 Selection software, engineers and consultants can easily design, layout and prepare a full VRF system for quotation in a few steps. It selects the right models to meet your building load requirements and calculates the piping schematic automatically or manually, as well as the wiring. It's possible to import dwg or jpg drawings. The selection software guides you within design rules and offers a comprehensive system design report under pdf, Word or excel format.



Launch Page



System Layout Page



System Configuration Page



Complete Report Page

Carrier Service Tool- Easy to Monitor Your System

Installers and contractors will appreciate the Carrier service tool to monitor the XCT7 VRF systems operation data. Thanks to the 40VCTOOLQEE interface accessory, you can retrieve the VRF system informations from the Outdoor Unit. You can then read the running parameters on your computer and analyze them for troubleshooting in the field or save the data for further analysis.



40VCTOOLQEE





ACCESSORIES

169 HEAT PUMP - ODU PIPING CONNECTION ACCESSORIES

170 HEAT PUMP - IDU PIPING CONNECTION ACCESSORIES

ACCESSORIES

Shape	Model	Description
	40VJ052G7-HQEE	For two outdoor units combination at installation location
	40VJ078G7-HQEE	For three outdoor units combination at installation location
	40VJ078G7-HQEE +40VJ072M7-HQEE	For four outdoor units combination at installation location
	40VJ012M7-HQEE	< 33.5 kW
	40VJ018M7-HQEE	33.5 << 50.6kW
	40VJ026M7-HQEE	50.6 << 73kW
	40VJ048M7-HQEE	73< < 135kW
	40VJ072M7-HQEE	135< < 204kW
		40VAD096P7FQEE
Compatible with medium static duct AC (40VD_R-7G-QEE)		
Compatible with high static duct AC (40VD_H-7G-QEE)		

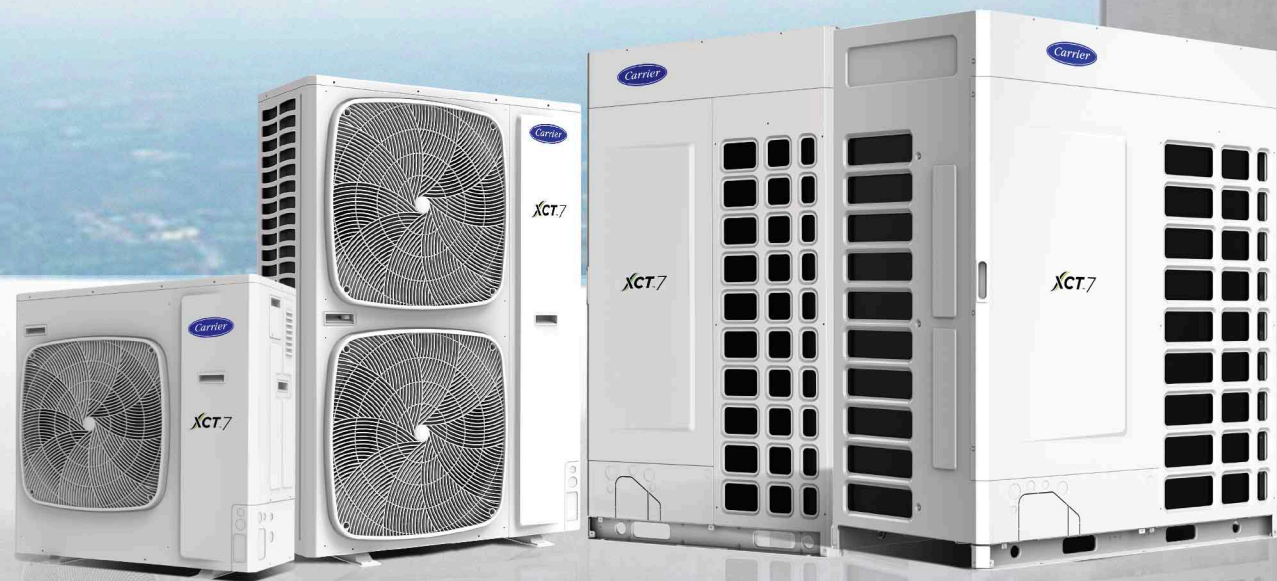
Heat Pump - ODU Piping Connection Accessories

Model Name	Side	Gather Pipe	Connection Of Gather Pipe
40VJ052G7-HQEE	Suction gas side		
	Liquid side		
40VJ078G7-HQEE	Suction gas side		
	Liquid side		

Heat Pump - IDU Piping Connection Accessories

Model	Gas Side Branch Pipe	Liquid Side Branch Pipe	Gas Side Connection Of Branch Pipe	Liquid Side Connection Of Branch Pipe
40VJ012M7-HQEE				
40VJ018M7-HQEE				
40VJ026M7-HQEE				
40VJ048M7-HQEE				
40VJ072M7-HQEE				

PRODUCT OVERVIEW



SIDE DISCHARGE

TOP DISCHARGE

